



JOHN DEERE

Message Implementation Guideline

DESADV D07A

(GTL & KANBAN)

based on

DESADV

Despatch advice message

UN D.07A S3

Version 2.4
(19/08/2021)

Table of Contents

1 Introduction.....	3
2 Changelog.....	4
3 Message Structure.....	5
4 Branching Diagram	8
5 Segments	19
6 Example Message - DESADV_JIT (KANBAN)	73
7 Example Message – DESADV_FOR (STANDARD)	74
8 Annex - packaging configurations	75

Introduction

The transaction set should be used to list the contents of a shipment of goods, as well as additional information relating to the shipment, such as order information, product description, physical characteristics, type of packaging, marking, carrier information and configuration of goods within the transportation equipment.

The transaction set enables the sender to describe the contents and configuration of a shipment in various levels of detail and provides an ordered flexibility to convey information.

The sender of this transaction is the organization responsible for detailing and communicating the contents of a shipment, or shipments, to one or more receivers of the transaction set.

The receiver of this transaction set can be any organization having an interest in the contents of a shipment or information about the contents of a shipment.

Business process narrative – Deere as the customer

Despatch advices also called Advanced Shipping Notifications (ASN) are used by the supplier to send shipment content information to the customer (John Deere).

This transaction plays an important role for the implementation of seamless supply-chain processes at John Deere.

- Fast and on-time provision of material, shipping and transport details to the recipient of the goods prior to the actual delivery
- Improved material flow transparency
- Increased data security and data quality, results in reduced discrepancies between goods receipts and invoices
- Reduction of time required for data input and for the processing of incoming goods upon delivery
- Improved process quality for packaging material management, reducing the need for time-consuming adjustments.

This transaction must be sent as soon as the material leaves the supplier location.

If the ASN has not arrived prior to the physical material, the material flow in the goods receipt department is interrupted.

The ASN should always match physical content of the shipment.

Additional Notes

Annex contains instructions for various packaging scenarios

It is mandatory to fulfill John Deere requirements – see instructions in column JD Format.

Changelog

Release	Date	Changes / Comments
2.4	2021-08-19	Added the RFF+AVU segment
2.3	2021-06-18	Added DESADV_JIT segments to material segment: PIA, RFF+COF, LOC+11, LOC+159; Removed pallet description from handling unit level (PAC); Added the example of ASN for KANBAN process
2.2	2021-02-22	Detailed description about unit codes, supplier number and packaging details; Removed typing errors.
2.1	2019-10-01	Add SG3 RFF+ANK for providing DUNS number
2.0	2019-06-24	Second release (Global Transport Label enhancement)
1.0	2018-09-26	First release

Message Structure

Counter	No	Tag	St	MaxOcc	Level	Content
0000	1	UNA	C	1	0	Service string advice
0000	2	UNB	M	1	0	Interchange header
0010	3	UNH	M	1	0	Message header
0020	4	BGM	M	1	0	Beginning of message
0030	5	DTM	M	10	1	Date/time/period (Document issue date time)
0030	6	DTM	M	10	1	Date/time/period (Despatch date and or time)
0030	7	DTM	M	10	1	Date/time/period (Transport means arrival date time, estimated)
0080		SG1	C	99	1	RFF
0090	8	RFF	M	1	1	Reference (Transport means journey identifier)
0080		SG1	C	99	1	RFF
0090	9	RFF	M	1	1	Reference number of the shipment
0110		SG2	C	99	1	NAD
0120	10	NAD	M	1	1	Name and address (Seller)
0110		SG2	C	99	1	NAD
0120	11	NAD	M	1	1	Name and address (Buyer)
0110		SG2	C	99	1	NAD
0120	12	NAD	M	1	1	Name and address (FW)
0110		SG2	C	99	1	NAD-LOC-SG3
0120	13	NAD	M	1	1	Name and address (Ship to)
0130	14	LOC	M	10	2	Place/location identification
0140		SG3	C	99	2	RFF
0150	15	RFF	M	1	2	Reference number assigned by third party
0240		SG6	C	10	1	TDT
0250	16	TDT	M	1	1	Transport information
0390		SG10	C	9999	1	CPS-SG11
0400	17	CPS	M	1	1	Consignment packing sequence (Outer packaging)
0430		SG11	C	9999	2	PAC-QTY-SG13
0440	18	PAC	M	1	2	Package
0460	19	QTY	M	10	3	Quantity
0500		SG13	C	1000	3	PCI-SG15-SG15
0510	20	PCI	M	1	3	Package identification (Mixed label)
0570		SG15	C	99	4	GIN
0580	21	GIN	M	1	4	Goods identity number
0570		SG15	C	99	4	GIN
0580	22	GIN	M	1	4	Goods identity number
0390		SG10	C	9999	1	CPS-SG11-SG17
0400	23	CPS	M	1	1	Consignment packing sequence (Inner packaging)
0430		SG11	C	9999	2	PAC-QTY-SG13

Counter = Counter of segment/group within the standard
 No = Consecutive segment number
 MaxOcc = Maximum occurrence of the segment/group

St = Status
 EDIFACT: M=Mandatory, C=Conditional
 User specific: R=Required, O=Optional, D=Dependent,
 A=Advised, N=Not used

Counter	No	Tag	St	MaxOcc	Level	Content
0440	24	PAC	M	1	2	Package
0460	25	QTY	M	10	3	Quantity
0500		SG13	C	1000	3	PCI-SG15
0510	26	PCI	M	1	3	Package identification. 1J for Single label
0570		SG15	C	99	4	GIN
0580	27	GIN	M	1	4	Goods identity number
0650		SG17	C	9999	2	LIN-PIA-IMD-QTY-ALI-SG18-SG18-SG18-SG20-SG20
0660	28	LIN	M	1	2	Line item
0670	29	PIA	M	10	3	Additional product id
0680	30	IMD	C	99	3	Item description
0700	31	QTY	M	10	3	Quantity
0710	32	ALI	M	10	3	Additional information
0830		SG18	M	99	3	RFF
0840	33	RFF	M	1	3	Reference (Despatch note document identifier)
0830		SG18	M	99	3	RFF
0840	34	RFF	M	1	3	Reference
0830		SG18	M	99	3	RFF
0840	35	RFF	M	1	3	Reference (Order document identifier, buyer assigned)
0920		SG20	C	100	3	LOC
0930	36	LOC	M	1	3	Place/location identification
0920		SG20	C	100	3	LOC
0930	37	LOC	M	1	3	Place/location identification
0390		SG10	C	9999	1	CPS-SG11-SG17
0400	38	CPS	M	1	1	Consignment packing sequence (Inner packaging)
0430		SG11	C	9999	2	PAC-QTY-SG13
0440	39	PAC	M	1	2	Package
0460	40	QTY	M	10	3	Quantity
0500		SG13	C	1000	3	PCI-SG15
0510	41	PCI	M	1	3	Package identification (Single label), 1J for Single label
0570		SG15	C	99	4	GIN
0580	42	GIN	M	1	4	Goods identity number
0650		SG17	C	9999	2	LIN-PIA-IMD-QTY-ALI-SG18-SG18-SG18-SG20-SG20
0660	43	LIN	M	1	2	Line item
0670	44	PIA	C	10	3	M
0680	45	IMD	C	99	3	Item description
0700	46	QTY	M	10	3	Quantity
0710	47	ALI	M	10	3	Additional information
0830		SG18	R	99	3	RFF
0840	48	RFF	M	1	3	Reference (Despatch note document identifier)
0830		SG18	R	99	3	RFF

Counter = Counter of segment/group within the standard
 No = Consecutive segment number
 MaxOcc = Maximum occurrence of the segment/group

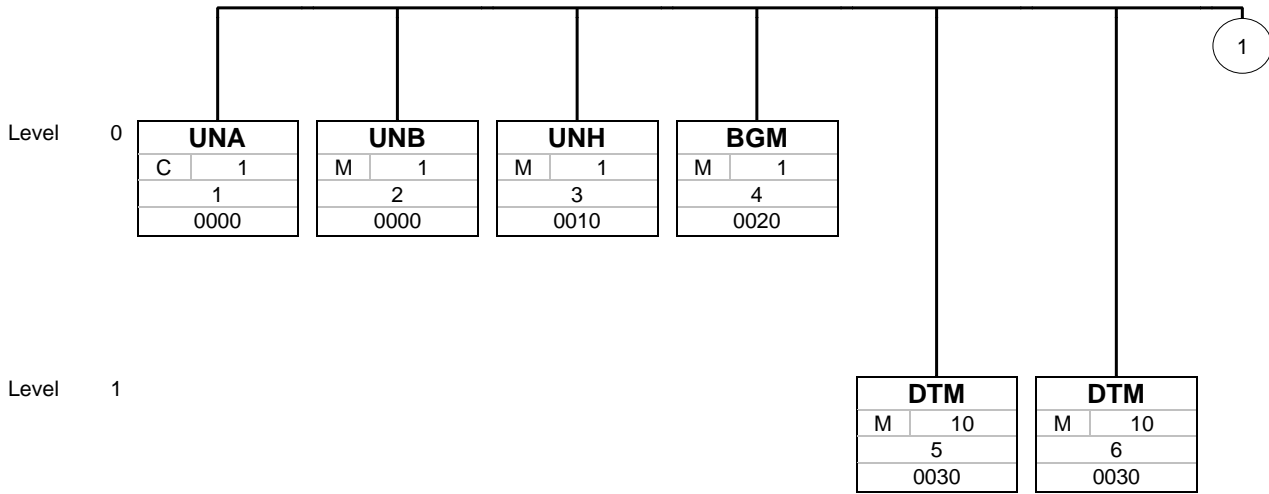
St = Status
 EDIFACT: M=Mandatory, C=Conditional
 User specific: R=Required, O=Optional, D=Dependent,
 A=Advised, N=Not used

Counter	No	Tag	St	MaxOcc	Level	Content
0840	49	RFF	M	1	3	Reference
0830		SG18	R	99	3	RFF
0840	50	RFF	M	1	3	Reference (Order document identifier, buyer assigned)
0920		SG20	C	100	3	LOC
0930	51	LOC	M	1	3	Place/location identification
0920		SG20	C	100	3	LOC
0930	52	LOC	M	1	3	Place/location identification
1160	53	UNT	M	1	0	Message trailer
0000	54	UNZ	M	1	0	Interchange trailer

Counter = Counter of segment/group within the standard
 No = Consecutive segment number
 MaxOcc = Maximum occurrence of the segment/group

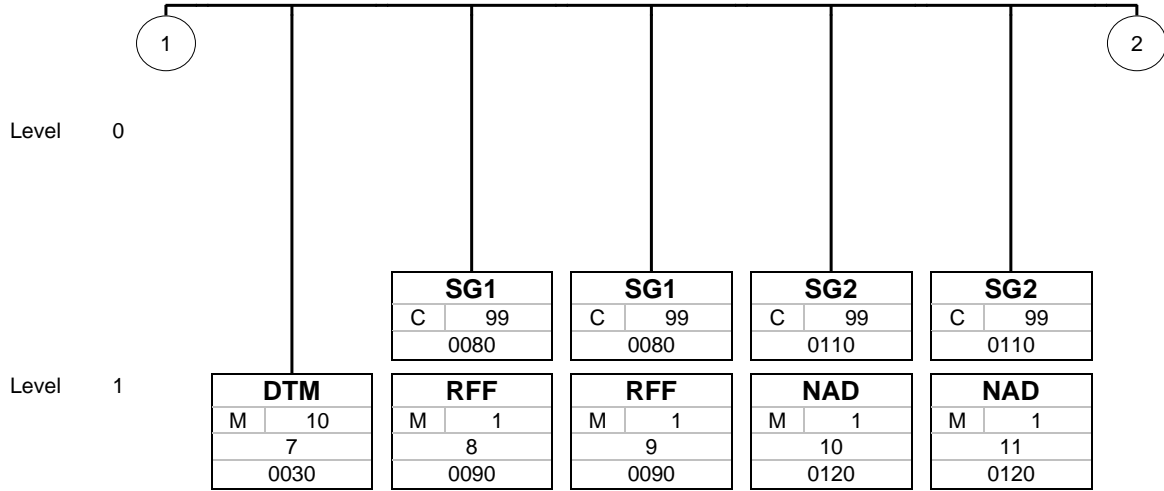
St = Status
 EDIFACT: M=Mandatory, C=Conditional
 User specific: R=Required, O=Optional, D=Dependent,
 A=Advised, N=Not used

Branching Diagram of Used Segments/Groups



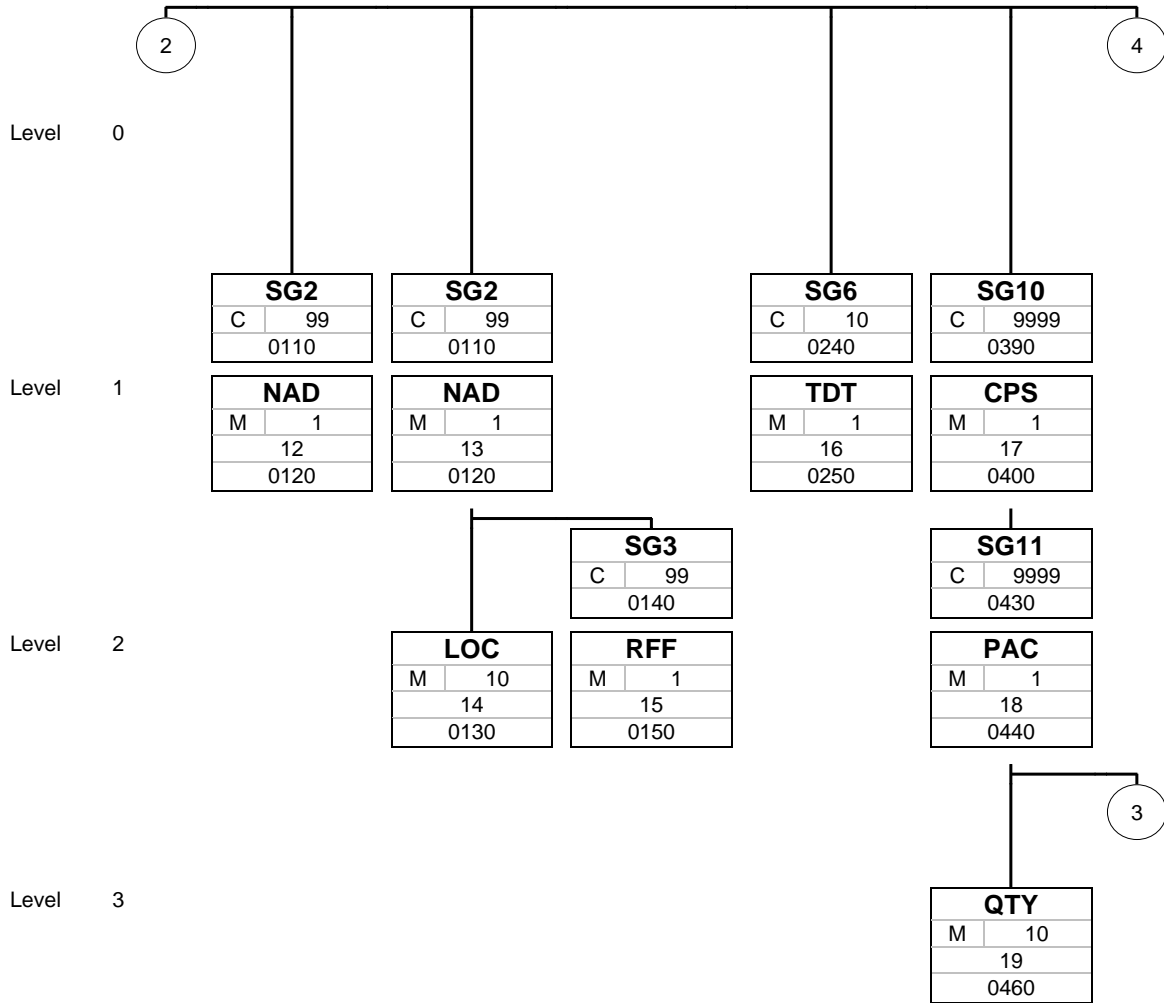
Tag
St MaxOcc
No
Counter

Tag = Segment/Group Tag
 St = Status (M=Mandatory, C=Conditional, R=Required, O=Optional, A=Advised, D=Dependent)
 MaxOcc = Maximum occurrence of the segment/group
 No = Consecutive segment number
 Counter = Counter of segment/group within the standard



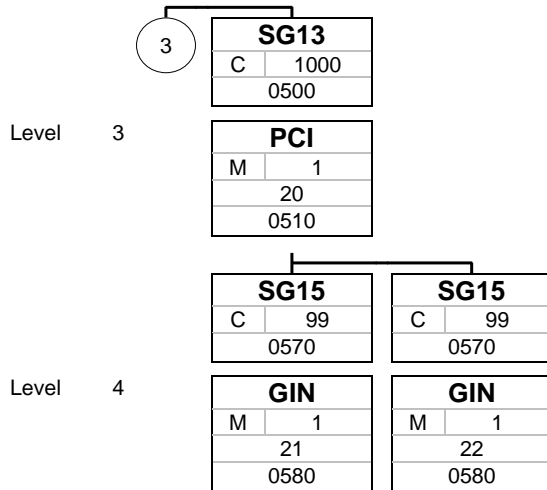
Tag
St MaxOcc
No
Counter

Tag = Segment/Group Tag
 St = Status (M=Mandatory, C=Conditional, R=Required, O=Optional, A=Advised, D=Dependent)
 MaxOcc = Maximum occurrence of the segment/group
 No = Consecutive segment number
 Counter = Counter of segment/group within the standard



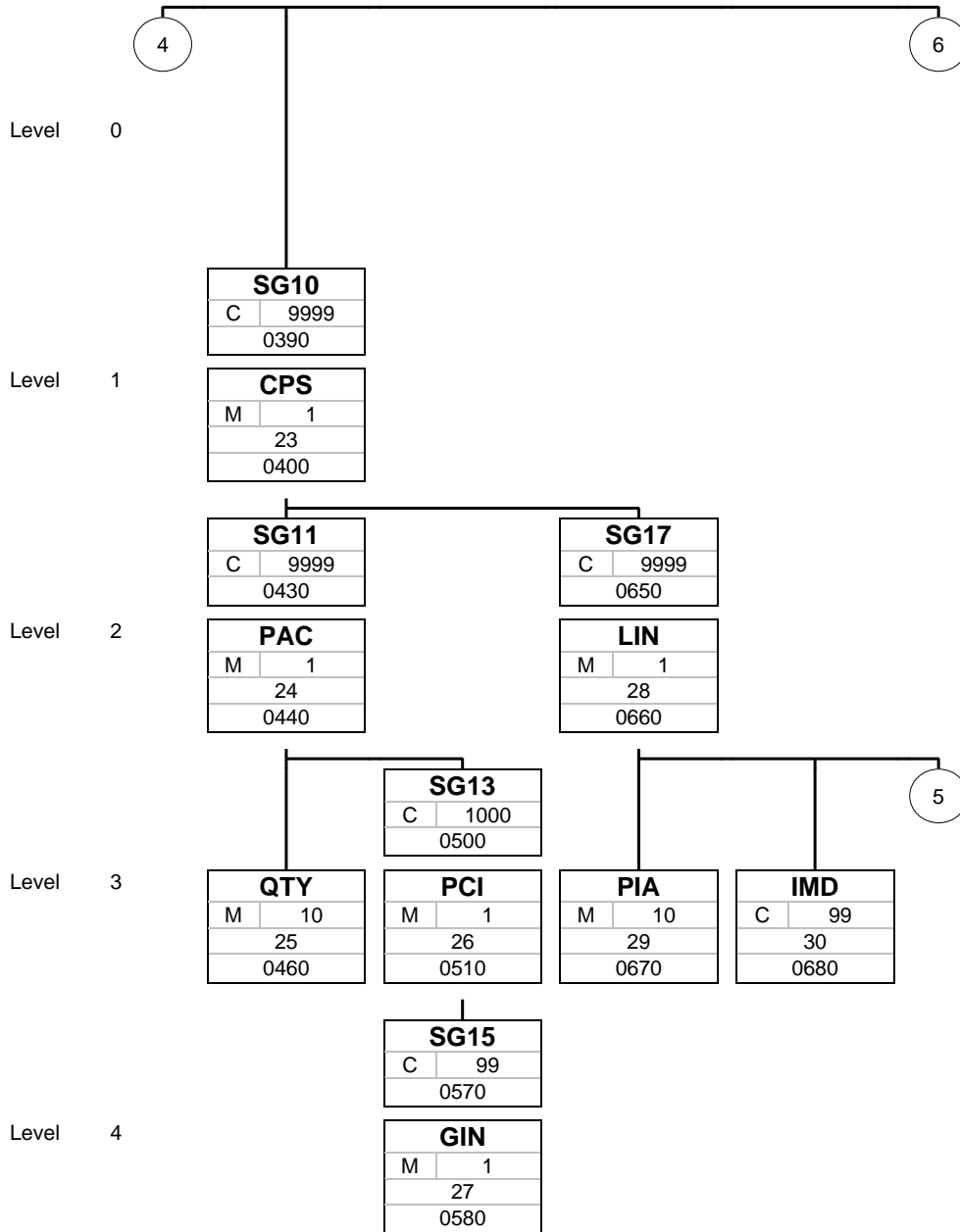
Tag
St MaxOcc
No
Counter

Tag = Segment/Group Tag
 St = Status (M=Mandatory, C=Conditional, R=Required, O=Optional, A=Advised, D=Dependent)
 MaxOcc = Maximum occurrence of the segment/group
 No = Consecutive segment number
 Counter = Counter of segment/group within the standard



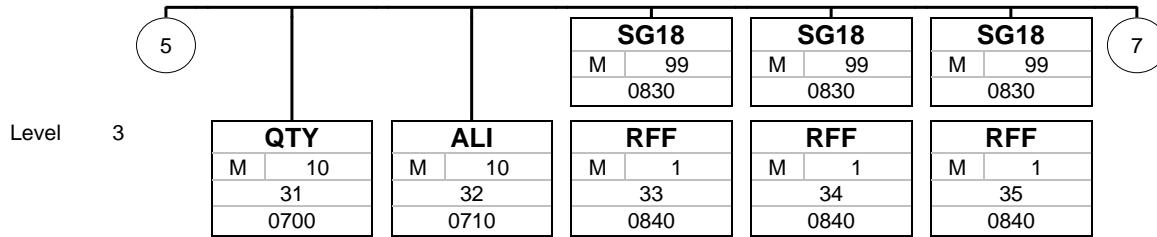
Tag
St MaxOcc
No
Counter

Tag = Segment/Group Tag
 St = Status (M=Mandatory, C=Conditional, R=Required, O=Optional, A=Advised, D=Dependent)
 MaxOcc = Maximum occurrence of the segment/group
 No = Consecutive segment number
 Counter = Counter of segment/group within the standard



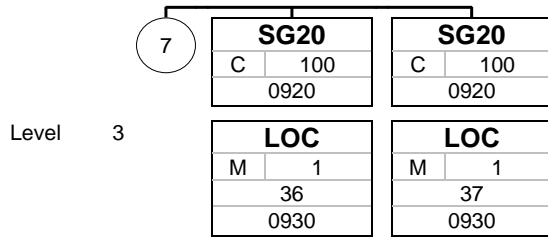
Tag
St MaxOcc
No
Counter

Tag = Segment/Group Tag
 St = Status (M=Mandatory, C=Conditional, R=Required, O=Optional, A=Advised, D=Dependent)
 MaxOcc = Maximum occurrence of the segment/group
 No = Consecutive segment number
 Counter = Counter of segment/group within the standard



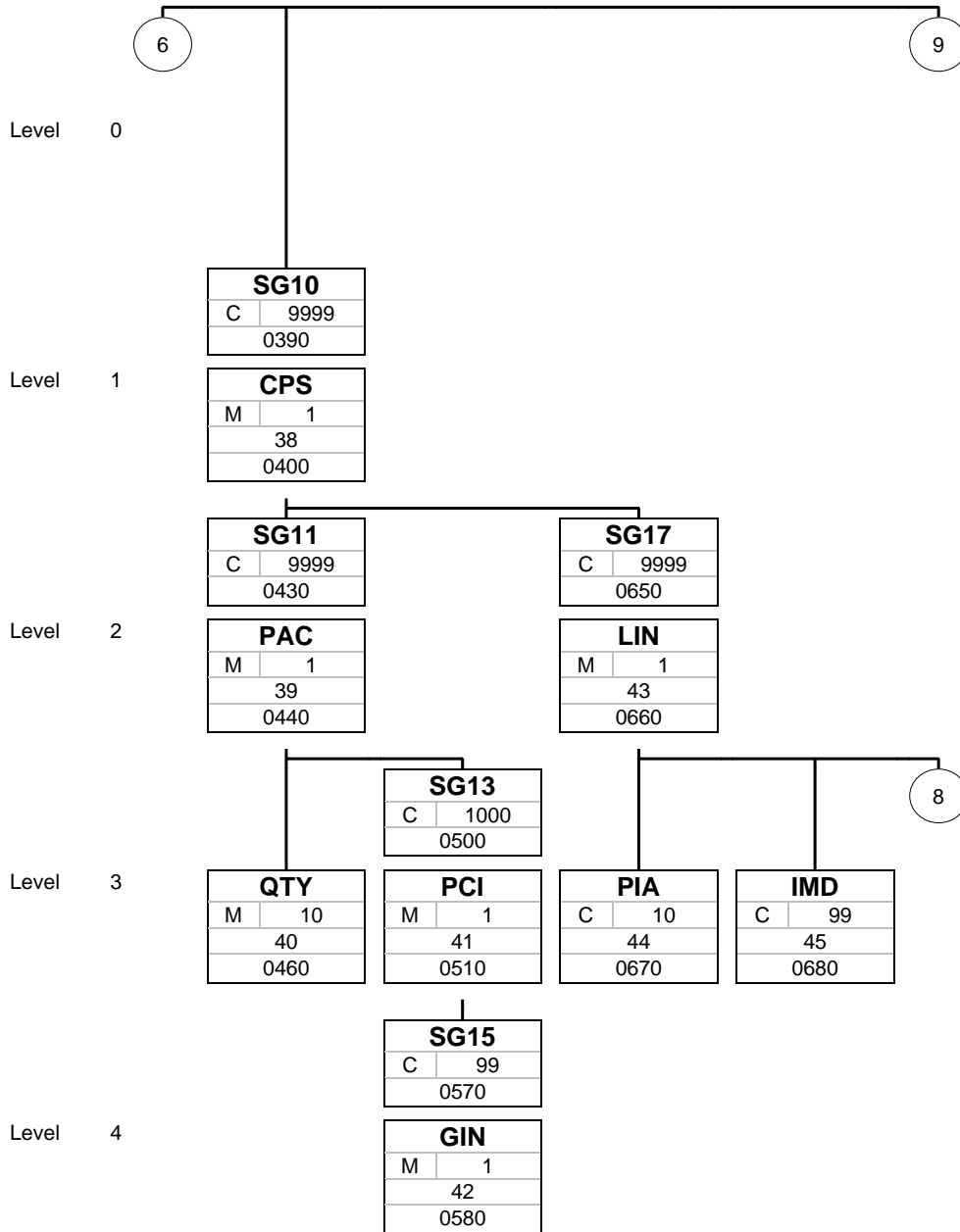
Tag
St MaxOcc
No
Counter

Tag = Segment/Group Tag
 St = Status (M=Mandatory, C=Conditional, R=Required, O=Optional, A=Advised, D=Dependent)
 MaxOcc = Maximum occurrence of the segment/group
 No = Consecutive segment number
 Counter = Counter of segment/group within the standard



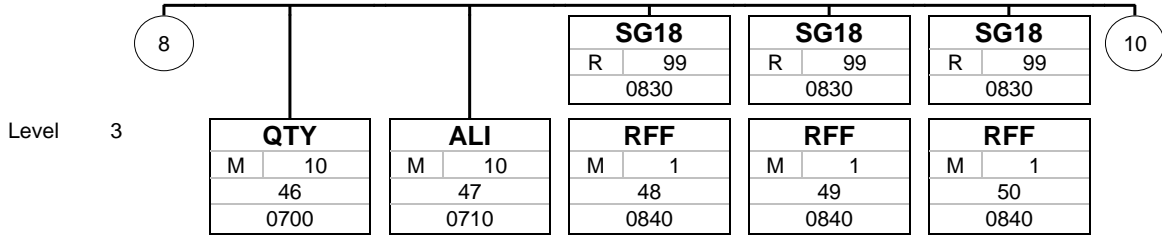
Tag
St MaxOcc
No
Counter

Tag = Segment/Group Tag
 St = Status (M=Mandatory, C=Conditional, R=Required, O=Optional, A=Advised, D=Dependent)
 MaxOcc = Maximum occurrence of the segment/group
 No = Consecutive segment number
 Counter = Counter of segment/group within the standard



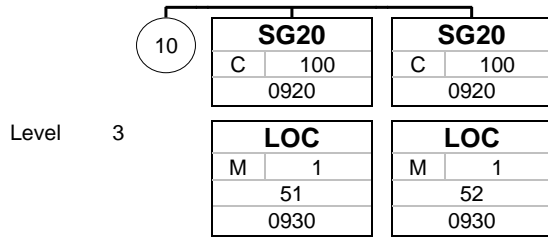
Tag
St MaxOcc
No
Counter

Tag = Segment/Group Tag
 St = Status (M=Mandatory, C=Conditional, R=Required, O=Optional, A=Advised, D=Dependent)
 MaxOcc = Maximum occurrence of the segment/group
 No = Consecutive segment number
 Counter = Counter of segment/group within the standard



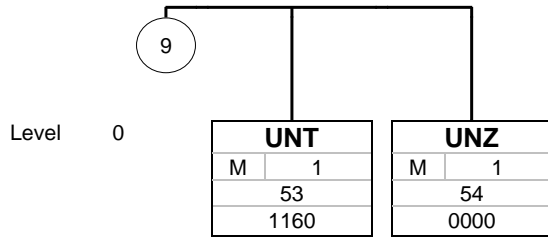
Tag
St MaxOcc
No
Counter

Tag = Segment/Group Tag
 St = Status (M=Mandatory, C=Conditional, R=Required, O=Optional, A=Advised, D=Dependent)
 MaxOcc = Maximum occurrence of the segment/group
 No = Consecutive segment number
 Counter = Counter of segment/group within the standard



Tag
St MaxOcc
No
Counter

Tag = Segment/Group Tag
 St = Status (M=Mandatory, C=Conditional, R=Required, O=Optional, A=Advised, D=Dependent)
 MaxOcc = Maximum occurrence of the segment/group
 No = Consecutive segment number
 Counter = Counter of segment/group within the standard



Tag
St MaxOcc
No
Counter

Tag = Segment/Group Tag
 St = Status (M=Mandatory, C=Conditional, R=Required, O=Optional, A=Advised, D=Dependent)
 MaxOcc = Maximum occurrence of the segment/group
 No = Consecutive segment number
 Counter = Counter of segment/group within the standard

Segments

Counter	No	Tag	St	MaxOcc	Level	Name
0000	1	UNA	C	1	0	Service string advice

		Standard	Implementation	
Tag	Name	St Format	JD Format	Usage / Remark
UNA				
UNA1	Component data element separator	M an1	M an1	:
UNA2	Data element separator	M an1	M an1	+
UNA3	Decimal notation	M an1	M an1	.
UNA4	Release indicator	M an1	M an1	?
UNA5	Reserved for future use	M an1	M an1	
UNA6	Segment terminator	M an1	M an1	'

Remark:

Example:

UNA: + . ? ' '

No = Consecutive segment number
 MaxOcc = Maximum occurrence of the segment/group
 Counter = Counter of segment/group within the standard

St = Status
 EDIFACT: M=Mandatory, C=Conditional
 User specific: R=Required, O=Optional, D=Dependent,
 A=Advised, N=Not used

Counter	No	Tag	St	MaxOcc	Level	Name
---------	----	-----	----	--------	-------	------

0000 2 **UNB** M 1 0 Interchange header

Standard			Implementation	
Tag	Name	St Format	JD Format	Usage / Remark
UNB				
S001		M	M	
0001	Syntax identifier	M a4	R a4	UNOC UNOC UN/ECE level C
0002	Syntax version number	M n1	R n1	3 3 Version 3
S002		M	M	
0004	Sender identification	M an..35	R an..35	DE192452089 <i>Supplier EDI ID (e.g supplier VAT number, ODETTE code)</i>
0007	Partner identification code qualifier	C an..4	R an..4	ZZ ZZ
0008	Address for reverse routing	C an..14	R an..14	0000xxxxxx <i>Supplier number provided by John Deere (10 digits number) e.g. 0000123456</i>
S003		M	M	
0010	Recipient identification	M an..35	R an..35	O0013000059DEERE
0007	Partner identification code qualifier	C an..4	R an..4	ZZ ZZ
0014	Routing address	C an..14	R an..14	LX01 <i>Unit code defined by John Deere. Please use this LINK to check the correct unit code. Unit code is different in each type of EDI standard. For oversee process handled by EgeTrans please use the unit code with extension "EGE". For example for US unit AG, please use AG00EGE.</i>
S004		M	M	
0017	Date of preparation	M n6	R n6	180817 <i>YYMMDD YY - year, MM - month, DD - day</i>
0019	Time of preparation	M n4	R n4	1537
0020	Interchange control reference	M an..14	R an..14	9203074
S005		C	N	
0022	Recipient's reference/password	M an..14	N	Not used
0025	Recipient's reference/password qualifier	C an2	N	Not used
0026	Application reference	C an..14	N	Not used
0029	Processing priority code	C a1	N	Not used
0031	Acknowledgement request	C n1	N	Not used
0032	Communications agreement ID	C an..35	R an..35	DESADV_FOR <i>DESADV_FOR - Qualifier for ASN (Production Forecast/Schedule); DESADV_JIT - Qualifier for ASN (KANBAN process); DESADV_ORD - Qualifier for ASN (Single Orders)</i>
0035	Test indicator	C n1	N	Not used

Remark:

To start, identify and specify an interchange.

This guideline covers DESADV for three different business processes – DESADV for DELFOR, DESADV for KANBAN and DESADV for ORDERS – therefore we need a qualifier in UNB segment to identify for which business process we are receiving the ASN. This field is essential for us and therefore mandatory. Furthermore it contains various Segments that may be applicable only for special processes. These Segments are “flagged” in the guideline below like: This Segment only applies for DESADV_FOR.

Example:

UNB+UNOC:3+DE192452089:ZZ:0000011111+O0013000059DEERE:ZZ:LX01+180817:1537+9203074++++DESADV_FOR'

No = Consecutive segment number
 MaxOcc = Maximum occurrence of the segment/group
 Counter = Counter of segment/group within the standard

St = Status
 EDIFACT: M=Mandatory, C=Conditional
 User specific: R=Required, O=Optional, D=Dependent, A=Advised, N=Not used

Counter	No	Tag	St	MaxOcc	Level	Name
0010	3	UNH	M	1	0	Message header

Standard			Implementation	
Tag	Name	St Format	JD Format	Usage / Remark
UNH				
0062	Message reference number	M an..14	M an..14	1
S009		M	M	
0065	Message type	M an..6	M an..6	DESADV DESADV Despatch advice message
0052	Message version number	M an..3	M an..3	D D Draft version/UN/EDIFACT Directory
0054	Message release number	M an..3	M an..3	07A 07A Release 2007 - A
0051	Controlling agency	M an..2	M an..2	UN UN UN/CEFACT
0057	Association assigned code	C an..6	C an..6	GA0220
0068	Common access reference	C an..35	N	Not used
S010		C	N	
0070	Sequence of transfers	M n..2	N	Not used
0073	First and last transfer	C a1	N	Not used

Remark:

Example:

UNH+1+DESADV:D:07A:UN:GA0220'

No = Consecutive segment number
 MaxOcc = Maximum occurrence of the segment/group
 Counter = Counter of segment/group within the standard

St = Status
 EDIFACT: M=Mandatory, C=Conditional
 User specific: R=Required, O=Optional, D=Dependent,
 A=Advised, N=Not used

Counter	No	Tag	St	MaxOcc	Level	Name
0020	4	BGM	M	1	0	Beginning of message

Standard			Implementation	
Tag	Name	St Format	JD Format	Usage / Remark
BGM				
C002		C	C	
1001	Document name code	C an..3	R an..3	351 351 Despatch advice
1131	Code list identification code	C an..17	N	Not used
3055	Code list responsible agency code	C an..3	N	Not used
1000	Document name	C an..35	R an..35	JIT <i>FOR - Forecast/Schedule; JIT - KANBAN process; ORD - Single Order</i>
C106		C	C	
1004	Document identifier	C an..35	R an..35	2904000935 <i>Document number defined by supplier</i>
1056	Version identifier	C an..9	N	Not used
1060	Revision identifier	C an..6	N	Not used
1225	Message function code	C an..3	R an..3	9 9 Original 5 Replace 3 Deletion
4343	Response type code	C an..3	N	Not used

Remark:

Example:

BGM+351:::JIT+2904000935+9'

No = Consecutive segment number
 MaxOcc = Maximum occurrence of the segment/group
 Counter = Counter of segment/group within the standard

St = Status
 EDIFACT: M=Mandatory, C=Conditional
 User specific: R=Required, O=Optional, D=Dependent,
 A=Advised, N=Not used

Counter	No	Tag	St	MaxOcc	Level	Name
0030	5	DTM	M	10	1	Date/time/period (Document issue date time)

Standard			Implementation	
Tag	Name	St Format	JD Format	Usage / Remark
DTM				
C507		M	M	
2005	Date or time or period function code qualifier	M an..3	R an..3	137 137 Document issue date time
2380	Date or time or period text	C an..35	R an..35	201808171234
2379	Date or time or period format code	C an..3	R an..3	203 203 CCYYMMDDHHMM <i>Calendar date: C - Century, Y - year, M - month, D - day, H - hour, M - minute</i>

Remark:

Example:

DTM+137:201808171234:203'

No = Consecutive segment number
 MaxOcc = Maximum occurrence of the segment/group
 Counter = Counter of segment/group within the standard

St = Status
 EDIFACT: M=Mandatory, C=Conditional
 User specific: R=Required, O=Optional, D=Dependent,
 A=Advised, N=Not used

Counter	No	Tag	St	MaxOcc	Level	Name
0030	6	DTM	M	10	1	Date/time/period (Despatch date and or time)

Standard			Implementation	
Tag	Name	St Format	JD Format	Usage / Remark
DTM				
C507		M	M	
2005	Date or time or period function code qualifier	M an..3	R an..3	11 11 Despatch date and or time
2380	Date or time or period text	C an..35	R an..35	201808171234
2379	Date or time or period format code	C an..3	R an..3	203 203 CCYYMMDDHHMM <i>Calendar date: C - Century, Y - year, M - month, D - day, H - hour, M - minute</i>

Remark:

Example:

DTM+11:201808171234:203'

No = Consecutive segment number
 MaxOcc = Maximum occurrence of the segment/group
 Counter = Counter of segment/group within the standard

St = Status
 EDIFACT: M=Mandatory, C=Conditional
 User specific: R=Required, O=Optional, D=Dependent,
 A=Advised, N=Not used

Counter	No	Tag	St	MaxOcc	Level	Name
0030	7	DTM	M	10	1	Date/time/period (Transport means arrival date time, estimated)

Standard			Implementation	
Tag	Name	St Format	JD Format	Usage / Remark
DTM				
C507		M	M	
2005	Date or time or period function code qualifier	M an..3	R an..3	132 132 Transport means arrival date time, estimated
2380	Date or time or period text	C an..35	R an..35	201808171234
2379	Date or time or period format code	C an..3	R an..3	203 203 CCYYMMDDHHMM <i>Calendar date: C - Century, Y - year, M - month, D - day, H - hour, M - minute</i>

Remark:

Example:

DTM+132:201808171234:203'

No = Consecutive segment number
 MaxOcc = Maximum occurrence of the segment/group
 Counter = Counter of segment/group within the standard

St = Status
 EDIFACT: M=Mandatory, C=Conditional
 User specific: R=Required, O=Optional, D=Dependent, A=Advised, N=Not used

Counter	No	Tag	St	MaxOcc	Level	Name
0080		SG1	C	99	1	RFF
0090	8	RFF	M	1	1	Reference (Transport means journey identifier)

Standard			Implementation	
Tag	Name	St Format	JD Format	Usage / Remark
RFF				
C506		M	M	
1153	Reference code qualifier	M an..3	R an..3	CRN CRN Transport means journey identifier
1154	Reference identifier	C an..70	R an..70	87654321 <i>Ship ID defined by supplier</i>
1156	Document line identifier	C an..6	N	Not used
1056	Version identifier	C an..9	N	Not used
1060	Revision identifier	C an..6	N	Not used

Remark:

Various unloading points are not allowed in one ship ID.

Example:

RFF+CRN: 87654321'

No = Consecutive segment number
 MaxOcc = Maximum occurrence of the segment/group
 Counter = Counter of segment/group within the standard

St = Status
 EDIFACT: M=Mandatory, C=Conditional
 User specific: R=Required, O=Optional, D=Dependent,
 A=Advised, N=Not used

Counter	No	Tag	St	MaxOcc	Level	Name
0080		SG1	C	99	1	RFF
0090	9	RFF	M	1	1	Reference number of the shipment

Standard			Implementation	
Tag	Name	St Format	JD Format	Usage / Remark
RFF				
C506		M	M	
1153	Reference code qualifier	M an..3	O an..3	AVU
				AVU Unique goods shipment identifier
1154	Reference identifier	C an..70	R an..70	1112223345 <i>Reference number assigned by carrier to a shipment (e.g. number assigned by UPS / DHL / DPD, etc.)</i>
1156	Document line identifier	C an..6	N	Not used
1056	Version identifier	C an..9	N	Not used
1060	Revision identifier	C an..6	N	Not used

Remark:
Reference number of the shipment assigned by the carrier

Example:
RFF+AVU:1112223345'

No = Consecutive segment number
MaxOcc = Maximum occurrence of the segment/group
Counter = Counter of segment/group within the standard

St = Status
EDIFACT: M=Mandatory, C=Conditional
User specific: R=Required, O=Optional, D=Dependent, A=Advised, N=Not used

Counter	No	Tag	St	MaxOcc	Level	Name
	0110	SG2	C	99	1	NAD
	0120	NAD	M	1	1	Name and address (Seller)

Standard			Implementation	
Tag	Name	St Format	JD Format	Usage / Remark
NAD				
3035	Party function code qualifier	M an..3	R an..3	SE
SE Seller				
C082		C	C	
3039	Party identifier	M an..35	R an..35	0000xxxxxx Supplier number (10 digits, leftfill with 0). The same number is in UNB segment. e.g. 0000123456
1131	Code list identification code	C an..17	N	Not used
3055	Code list responsible agency code	C an..3	C an..3	92
92 Assigned by buyer or buyer's agent				
C058		C	N	
3124	Name and address description	M an..35	N	Not used
3124	Name and address description	C an..35	N	Not used
3124	Name and address description	C an..35	N	Not used
3124	Name and address description	C an..35	N	Not used
3124	Name and address description	C an..35	N	Not used
C080		C	C	
3036	Party name	M an..35	M an..35	SUPPLIER NAME
3036	Party name	C an..35	N	Not used
3036	Party name	C an..35	N	Not used
3036	Party name	C an..35	N	Not used
3036	Party name	C an..35	N	Not used
3045	Party name format code	C an..3	N	Not used
C059		C	C	
3042	Street and number or post office box identifier	M an..35	M an..35	STREET
3042	Street and number or post office box identifier	C an..35	N	Not used
3042	Street and number or post office box identifier	C an..35	N	Not used
3042	Street and number or post office box identifier	C an..35	N	Not used
3164	City name	C an..35	C an..35	CITY
C819		C	N	
3229	Country subdivision identifier	C an..9	N	Not used
1131	Code list identification code	C an..17	N	Not used
3055	Code list responsible agency code	C an..3	N	Not used
3228	Country subdivision name	C an..70	N	Not used
3251	Postal identification code	C an..17	C an..17	ZIP CODE
3207	Country identifier	C an..3	C an..3	DE
DE GERMANY				

Remark:

Example:

NAD+SE+0000xxxxxx::92++SUPPLIER NAME+STREET+CITY++ZIP CODE+DE '

No = Consecutive segment number
 MaxOcc = Maximum occurrence of the segment/group
 Counter = Counter of segment/group within the standard

St = Status
 EDIFACT: M=Mandatory, C=Conditional
 User specific: R=Required, O=Optional, D=Dependent, A=Advised, N=Not used

Counter	No	Tag	St	MaxOcc	Level	Name
	0110	SG2	C	99	1	NAD
	0120	NAD	M	1	1	Name and address (Buyer)

Standard			Implementation	
Tag	Name	St Format	JD Format	Usage / Remark
NAD				
3035	Party function code qualifier	M an..3	R an..3	BY BY Buyer
C082		C	C	
3039	Party identifier	M an..35	R an..35	LX01 <i>Unit code defined by John Deere. LINK to EDIFACT D07A unit codes list. This position requires standard unit code, e.g. LX01 or AG00.</i>
1131	Code list identification code	C an..17	N	Not used
3055	Code list responsible agency code	C an..3	C an..3	92 92 Assigned by buyer or buyer's agent
C058		C	N	
3124	Name and address description	M an..35	N	Not used
3124	Name and address description	C an..35	N	Not used
3124	Name and address description	C an..35	N	Not used
3124	Name and address description	C an..35	N	Not used
3124	Name and address description	C an..35	N	Not used
C080		C	C	
3036	Party name	M an..35	O an..35	John Deere GmbH & Co.KG
3036	Party name	C an..35	N	Not used
3036	Party name	C an..35	N	Not used
3036	Party name	C an..35	N	Not used
3036	Party name	C an..35	N	Not used
3045	Party name format code	C an..3	N	Not used
C059		C	C	
3042	Street and number or post office box identifier	M an..35	O an..35	Postfach 10 17 17
3042	Street and number or post office box identifier	C an..35	N	Not used
3042	Street and number or post office box identifier	C an..35	N	Not used
3042	Street and number or post office box identifier	C an..35	N	Not used
3164	City name	C an..35	O an..35	Mannheim
C819		C	N	
3229	Country subdivision identifier	C an..9	N	Not used
1131	Code list identification code	C an..17	N	Not used
3055	Code list responsible agency code	C an..3	N	Not used
3228	Country subdivision name	C an..70	N	Not used
3251	Postal identification code	C an..17	O an..17	68008
3207	Country identifier	C an..3	O an..3	DE DE GERMANY

Remark:

Example:

NAD+BY+LX01::92++John Deere GmbH & Co.KG+Postfach 10 17 17+Mannheim++68008+DE'

No = Consecutive segment number
 MaxOcc = Maximum occurrence of the segment/group
 Counter = Counter of segment/group within the standard

St = Status
 EDIFACT: M=Mandatory, C=Conditional
 User specific: R=Required, O=Optional, D=Dependent, A=Advised, N=Not used

Counter	No	Tag	St	MaxOcc	Level	Name
	0110	SG2	C	99	1	NAD
	0120	NAD	M	1	1	Name and address (FW)

Standard			Implementation	
Tag	Name	St Format	JD Format	Usage / Remark
NAD				
3035	Party function code qualifier	M an..3	R an..3	FW
FW Freight forwarder				
C082		C	N	
3039	Party identifier	M an..35	N	Not used
1131	Code list identification code	C an..17	N	Not used
3055	Code list responsible agency code	C an..3	N	Not used
C058		C	N	
3124	Name and address description	M an..35	N	Not used
3124	Name and address description	C an..35	N	Not used
3124	Name and address description	C an..35	N	Not used
3124	Name and address description	C an..35	N	Not used
3124	Name and address description	C an..35	N	Not used
C080		C	N	
3036	Party name	M an..35	N	Not used
3036	Party name	C an..35	N	Not used
3036	Party name	C an..35	N	Not used
3036	Party name	C an..35	N	Not used
3036	Party name	C an..35	N	Not used
3045	Party name format code	C an..3	N	Not used
C059		C	C	
3042	Street and number or post office box identifier	M an..35	R an..35	FORWARDER <i>e.g. DHL GLOBAL FORWARDING GMBH</i>
3042	Street and number or post office box identifier	C an..35	N	Not used
3042	Street and number or post office box identifier	C an..35	N	Not used
3042	Street and number or post office box identifier	C an..35	N	Not used
3164	City name	C an..35	N	Not used
C819		C	N	
3229	Country subdivision identifier	C an..9	N	Not used
1131	Code list identification code	C an..17	N	Not used
3055	Code list responsible agency code	C an..3	N	Not used
3228	Country subdivision name	C an..70	N	Not used
3251	Postal identification code	C an..17	N	Not used
3207	Country identifier	C an..3	N	Not used

Remark:
Placeholder for process enhancement.

Example:
NAD+FW++++FORWARDER'

No = Consecutive segment number
MaxOcc = Maximum occurrence of the segment/group
Counter = Counter of segment/group within the standard

St = Status
EDIFACT: M=Mandatory, C=Conditional
User specific: R=Required, O=Optional, D=Dependent, A=Advised, N=Not used

Counter	No	Tag	St	MaxOcc	Level	Name
	0110	SG2	C	99	1	NAD-LOC-SG3
	0120	NAD	M	1	1	Name and address (Ship to)

Standard			Implementation	
Tag	Name	St Format	JD Format	Usage / Remark
NAD				
3035	Party function code qualifier	M an..3	R an..3	ST
				ST Ship to
C082		C	C	
3039	Party identifier	M an..35	R an..35	LX01 <i>Unit code defined by John Deere please use this LINK to check the correct unit code. Unit code is different in each type of EDI standard. This position requires standard unit code, e.g. LX01 or AG00.</i>
1131	Code list identification code	C an..17	N	Not used
3055	Code list responsible agency code	C an..3	C an..3	92
				92 Assigned by buyer or buyer's agent
C058		C	N	
3124	Name and address description	M an..35	N	Not used
3124	Name and address description	C an..35	N	Not used
3124	Name and address description	C an..35	N	Not used
3124	Name and address description	C an..35	N	Not used
3124	Name and address description	C an..35	N	Not used
C080		C	C	
3036	Party name	M an..35	O an..35	John Deere GmbH & Co.KG
3036	Party name	C an..35	N	Not used
3036	Party name	C an..35	N	Not used
3036	Party name	C an..35	N	Not used
3036	Party name	C an..35	N	Not used
3045	Party name format code	C an..3	N	Not used
C059		C	C	
3042	Street and number or post office box identifier	M an..35	O an..35	Postfach 10 17 17
3042	Street and number or post office box identifier	C an..35	N	Not used
3042	Street and number or post office box identifier	C an..35	N	Not used
3042	Street and number or post office box identifier	C an..35	N	Not used
3164	City name	C an..35	O an..35	Mannheim
C819		C	N	
3229	Country subdivision identifier	C an..9	N	Not used
1131	Code list identification code	C an..17	N	Not used
3055	Code list responsible agency code	C an..3	N	Not used
3228	Country subdivision name	C an..70	N	Not used
3251	Postal identification code	C an..17	O an..17	68008
3207	Country identifier	C an..3	O an..3	DE
				DE GERMANY

Remark:

Placeholder for process enhancement.

Example:

NAD+ST+LX01::92++John Deere GmbH & Co.KG+Postfach 10 17 17+Mannheim++68008+DE'

No = Consecutive segment number
 MaxOcc = Maximum occurrence of the segment/group
 Counter = Counter of segment/group within the standard

St = Status
 EDIFACT: M=Mandatory, C=Conditional
 User specific: R=Required, O=Optional, D=Dependent, A=Advised, N=Not used

Counter	No	Tag	St	MaxOcc	Level	Name	
	0110	SG2	C	99	1	NAD-LOC-SG3	
	0130	14	LOC	M	10	2	Place/location identification

Standard			Implementation	
Tag	Name	St Format	JD Format	Usage / Remark
LOC				
3227	Location function code qualifier	M an..3	R an..3	11
11 Place of discharge				
C517		C	C	
3225	Location identifier	C an..35	R an..35	UNLOADING POINT <i>Unloading point codes are the same in all EDI standard. John Deere required the unloading point code provided in schedule agreement.</i>
1131	Code list identification code	C an..17	N	Not used
3055	Code list responsible agency code	C an..3	N	Not used
3224	Location name	C an..256	N	Not used
C519		C	N	
3223	First related location identifier	C an..35	N	Not used
1131	Code list identification code	C an..17	N	Not used
3055	Code list responsible agency code	C an..3	N	Not used
3222	First related location name	C an..70	N	Not used
C553		C	N	
3233	Second related location identifier	C an..35	N	Not used
1131	Code list identification code	C an..17	N	Not used
3055	Code list responsible agency code	C an..3	N	Not used
3232	Second related location name	C an..70	N	Not used
5479	Relation code	C an..3	N	Not used

Remark:

Example:

LOC+11+UNLOADING POINT'

No = Consecutive segment number
 MaxOcc = Maximum occurrence of the segment/group
 Counter = Counter of segment/group within the standard

St = Status
 EDIFACT: M=Mandatory, C=Conditional
 User specific: R=Required, O=Optional, D=Dependent, A=Advised, N=Not used

Counter	No	Tag	St	MaxOcc	Level	Name	
	0140	SG3	C	99	2	RFF	
	0150	15	RFF	M	1	2	Reference number assigned by third party

Standard			Implementation	
Tag	Name	St Format	JD Format	Usage / Remark
RFF				
C506		M	M	
1153	Reference code qualifier	M an..3	D an..3	ANK
				ANK Reference number assigned by third party
1154	Reference identifier	C an..70	D an..70	999999999 Reference number assigned by third party (DUNS number). John Deere requires the DUNS number provided on schedule agreement.
1156	Document line identifier	C an..6	N	Not used
1056	Version identifier	C an..9	N	Not used
1060	Revision identifier	C an..6	N	Not used

Remark:

Reference number assigned by third party

Example:

RFF+ANK: 999999999'

No = Consecutive segment number
 MaxOcc = Maximum occurrence of the segment/group
 Counter = Counter of segment/group within the standard

St = Status
 EDIFACT: M=Mandatory, C=Conditional
 User specific: R=Required, O=Optional, D=Dependent,
 A=Advised, N=Not used

Counter	No	Tag	St	MaxOcc	Level	Name
0240		SG6	C	10	1	TDT
0250	16	TDT	M	1	1	Transport information

Standard			Implementation	
Tag	Name	St Format	JD Format	Usage / Remark
TDT				
8051	Transport stage code qualifier	M an..3	M an..3	12
				12 At departure
8028	Means of transport journey identifier	C an..17	N	Not used
C220		C	N	
8067	Transport mode name code	C an..3	N	Not used
8066	Transport mode name	C an..17	N	Not used
C001		C	N	
8179	Transport means description code	C an..8	N	Not used
1131	Code list identification code	C an..17	N	Not used
3055	Code list responsible agency code	C an..3	N	Not used
8178	Transport means description	C an..17	N	Not used
C040		C	N	
3127	Carrier identifier	C an..17	N	Not used
1131	Code list identification code	C an..17	N	Not used
3055	Code list responsible agency code	C an..3	N	Not used
3126	Carrier name	C an..35	N	Not used
8101	Transit direction indicator code	C an..3	N	Not used
C401		C	N	
8457	Excess transportation reason code	M an..3	N	Not used
8459	Excess transportation responsibility code	M an..3	N	Not used
7130	Customer shipment authorisation identifier	C an..17	N	Not used
C222		C	N	
8213	Transport means identification name identifier	C an..35	N	Not used
1131	Code list identification code	C an..17	N	Not used
3055	Code list responsible agency code	C an..3	N	Not used
8212	Transport means identification name	C an..70	N	Not used
8453	Transport means nationality code	C an..3	N	Not used
8281	Transport means ownership indicator code	C an..3	N	Not used

Remark:

Example:

TDT+12'

No = Consecutive segment number
 MaxOcc = Maximum occurrence of the segment/group
 Counter = Counter of segment/group within the standard

St = Status
 EDIFACT: M=Mandatory, C=Conditional
 User specific: R=Required, O=Optional, D=Dependent, A=Advised, N=Not used

Counter	No	Tag	St	MaxOcc	Level	Name
	0390	SG10	C	9999	1	CPS-SG11
	0400	17	CPS	M	1	1 Consignment packing sequence (Outer packaging)

Standard			Implementation	
Tag	Name	St Format	JD Format	Usage / Remark
CPS				
7164	Hierarchical structure level identifier	M an..35	M an..35	1
7166	Hierarchical structure parent identifier	C an..35	N	Not used
7075	Packaging level code	C an..3	R an..3	3
				3 Outer 4 No packaging hierarchy

Remark:

3 is used for building the hierarchical packaging structure, must be followed by CPS+n++1'

4 is used for no packaging hierarchy, no further CPS Packaging level code is absolutely required for building GTL (Global Transport Label) process correctly

Example:

CPS+1++3'

No = Consecutive segment number
 MaxOcc = Maximum occurrence of the segment/group
 Counter = Counter of segment/group within the standard

St = Status
 EDIFACT: M=Mandatory, C=Conditional
 User specific: R=Required, O=Optional, D=Dependent, A=Advised, N=Not used

Counter	No	Tag	St	MaxOcc	Level	Name
	0430	SG11	C	9999	2	PAC-QTY-SG13
	0440	PAC	M	1	2	Package

Standard			Implementation	
Tag	Name	St Format	JD Format	Usage / Remark
PAC				
7224	Package quantity	C n..8	R n..8	1
C531		C	C	
7075	Packaging level code	C an..3	N	Not used
7233	Packaging related description code	C an..3	C an..3	36
				36 Package specifications
7073	Packaging terms and conditions code	C an..3	N	Not used
C202		C	C	
7065	Package type description code	C an..17	C an..17	
1131	Code list identification code	C an..17	N	Not used
3055	Code list responsible agency code	C an..3	C an..3	92
				92 Assigned by buyer or buyer's agent
7064	Type of packages	C an..35	N	Not used
C402		C	N	
7077	Description format code	M an..3	N	Not used
7064	Type of packages	M an..35	N	Not used
7143	Item type identification code	C an..3	N	Not used
7064	Type of packages	C an..35	N	Not used
7143	Item type identification code	C an..3	N	Not used
C532		C	N	
8395	Returnable package freight payment responsibility code	C an..3	N	Not used
8393	Returnable package load contents code	C an..3	N	Not used

Remark:

If external (outer) packaging, use valid code provided by JD, if iavailable.
 If unavailable please leave blank as as follows: PAC+2+:36+:92.

If internal (inner) packaging, use valid code provided by JD via EDI data.
 If unavailable please leave blank as as follows: PAC+2+:36+:92.

Example:

PAC+1+:36+:92'

No = Consecutive segment number
 MaxOcc = Maximum occurrence of the segment/group
 Counter = Counter of segment/group within the standard

St = Status
 EDIFACT: M=Mandatory, C=Conditional
 User specific: R=Required, O=Optional, D=Dependent, A=Advised, N=Not used

Counter	No	Tag	St	MaxOcc	Level	Name
0430		SG11	C	9999	2	PAC-QTY-SG13
0460	19	QTY	M	10	3	Quantity

Standard			Implementation	
Tag	Name	St Format	JD Format	Usage / Remark
QTY				
C186		M	M	
6063	Quantity type code qualifier	M an..3	R an..3	189
				189 Number of packages in handling unit
6060	Quantity	M an..35	R an..35	2
6411	Measurement unit code	C an..8	R an..8	PCE
				PCE

Remark:

Example:

QTY+189:2:PCE'

No = Consecutive segment number
 MaxOcc = Maximum occurrence of the segment/group
 Counter = Counter of segment/group within the standard

St = Status
 EDIFACT: M=Mandatory, C=Conditional
 User specific: R=Required, O=Optional, D=Dependent,
 A=Advised, N=Not used

Counter	No	Tag	St	MaxOcc	Level	Name
	0500	SG13	C	1000	3	PCI-SG15
	0510	20 PCI	M	1	3	Package identification (Mixed label)

Standard			Implementation	
Tag	Name	St Format	JD Format	Usage / Remark
PCI				
4233	Marking instructions code	C an..3	R an..3	17
				17 Seller's instructions
C210		C	N	
7102	Shipping marks description	M an..35	N	Not used
7102	Shipping marks description	C an..35	N	Not used
7102	Shipping marks description	C an..35	N	Not used
7102	Shipping marks description	C an..35	N	Not used
7102	Shipping marks description	C an..35	N	Not used
7102	Shipping marks description	C an..35	N	Not used
7102	Shipping marks description	C an..35	N	Not used
7102	Shipping marks description	C an..35	N	Not used
7102	Shipping marks description	C an..35	N	Not used
7102	Shipping marks description	C an..35	N	Not used
8169	Full or empty indicator code	C an..3	N	Not used
C827		C	C	
7511	Marking type code	M an..3	R an..3	5J
				6J Master label 5J Mixed label
1131	Code list identification code	C an..17	N	Not used
3055	Code list responsible agency code	C an..3	M an..3	5
				5 ISO (International Organization for Standardization)

Remark:

5J for Mixed label
6J for Master label

Example:

PCI+17+++5J::5'

No = Consecutive segment number
MaxOcc = Maximum occurrence of the segment/group
Counter = Counter of segment/group within the standard

St = Status
EDIFACT: M=Mandatory, C=Conditional
User specific: R=Required, O=Optional, D=Dependent, A=Advised, N=Not used

Counter	No	Tag	St	MaxOcc	Level	Name
	0570	SG15	C	99	4	GIN
	0580	GIN	M	1	4	Goods identity number

Standard			Implementation	
Tag	Name	St Format	JD Format	Usage / Remark
GIN				
7405	Object identification code qualifier	M an..3	R an..3	ML
				ML Marking/label number
C208		M	M	
7402	Object identifier	M an..35	M an..35	DE00005555987654300 <i>License Plate Number (LPN) represents the handling unit, mix or master pallet</i>
7402	Object identifier	C an..35	N	Not used
C208		C	N	
7402	Object identifier	M an..35	N	Not used
7402	Object identifier	C an..35	N	Not used
C208		C	N	
7402	Object identifier	M an..35	N	Not used
7402	Object identifier	C an..35	N	Not used
C208		C	N	
7402	Object identifier	M an..35	N	Not used
7402	Object identifier	C an..35	N	Not used

Remark:

There are two options to create the LPN. First represents the LPN for suppliers which don't have their own unique DUNS number. The second one is with supplier's DUNS number.

Option 1: DE00005555987654300 = DE (2 digits, DE for DEERE) + Supplier number provided by John Deere (9 digits, leftfill with 0) + Serial Number supplier assigned (9 digits)

Option 2:

UN123456789987654300 = UN (2 digits) + Supplier DUNS NUMBER (9 digits) + Serial Number supplier assigned (9 digits)

Example:

GIN+ML+DE00005555987654300'

No = Consecutive segment number
 MaxOcc = Maximum occurrence of the segment/group
 Counter = Counter of segment/group within the standard

St = Status
 EDIFACT: M=Mandatory, C=Conditional
 User specific: R=Required, O=Optional, D=Dependent, A=Advised, N=Not used

Counter	No	Tag	St	MaxOcc	Level	Name
	0570	SG15	C	99	4	GIN
	0580	GIN	M	1	4	Goods identity number

Standard			Implementation	
Tag	Name	St Format	JD Format	Usage / Remark
GIN				
7405	Object identification code qualifier	M an..3	R an..3	AW AW Serial shipping container code
C208		M	M	
7402	Object identifier	M an..35	M an..35	DE00005555987654321 <i>License Plate Number (LPN) 1 - represents single box/ container</i>
7402	Object identifier	C an..35	N	Not used
C208		C	C	
7402	Object identifier	M an..35	M an..35	DE00005555987654322 <i>License Plate Number (LPN) 1 - represents single box/ container</i>
7402	Object identifier	C an..35	N	Not used
C208		C	N	
7402	Object identifier	M an..35	N	Not used
7402	Object identifier	C an..35	N	Not used
C208		C	N	
7402	Object identifier	M an..35	N	Not used
7402	Object identifier	C an..35	N	Not used
C208		C	N	
7402	Object identifier	M an..35	N	Not used
7402	Object identifier	C an..35	N	Not used

Remark:

There are two options to create the LPN. First represents the LPN for suppliers which don't have their own unique DUNS number. The second one is with supplier's DUNS number.

Option 1: DE00005555987654300 = DE (2 digits, DE for DEERE) + Supplier number provided by John Deere (9 digits, leftfill with 0) + Serial Number supplier assigned (9 digits)

Option 2:

UN123456789987654300 = UN (2 digits) + Supplier DUNS NUMBER (9 digits) + Serial Number supplier assigned (9 digits)

Example:

GIN+AW+DE00005555987654321+DE00005555987654322'

No = Consecutive segment number
 MaxOcc = Maximum occurrence of the segment/group
 Counter = Counter of segment/group within the standard

St = Status
 EDIFACT: M=Mandatory, C=Conditional
 User specific: R=Required, O=Optional, D=Dependent, A=Advised, N=Not used

Counter	No	Tag	St	MaxOcc	Level	Name
	0390	SG10	C	9999	1	CPS-SG11-SG17
	0400	23	CPS	M	1	1 Consignment packing sequence (Inner packaging)

Standard			Implementation	
Tag	Name	St Format	JD Format	Usage / Remark
CPS				
7164	Hierarchical structure level identifier	M an..35	M an..35	2
7166	Hierarchical structure parent identifier	C an..35	N	Not used
7075	Packaging level code	C an..3	M an..3	1
				1 Inner

Remark:

1 must be used in combination with CPS+n+3'

Packaging level code is absolutely required for building GTL (Global Transport Label) process correctly

Example:

CPS+2++1'

No = Consecutive segment number
 MaxOcc = Maximum occurrence of the segment/group
 Counter = Counter of segment/group within the standard

St = Status
 EDIFACT: M=Mandatory, C=Conditional
 User specific: R=Required, O=Optional, D=Dependent, A=Advised, N=Not used

Counter	No	Tag	St	MaxOcc	Level	Name
0430		SG11	C	9999	2	PAC-QTY-SG13
0440	24	PAC	M	1	2	Package

Standard			Implementation	
Tag	Name	St Format	JD Format	Usage / Remark
PAC				
7224	Package quantity	C n..8	R n..8	2
C531		C	C	
7075	Packaging level code	C an..3	N	Not used
7233	Packaging related description code	C an..3	M an..3	36
				36 Package specifications
7073	Packaging terms and conditions code	C an..3	N	Not used
C202		C	C	
7065	Package type description code	C an..17	M an..17	SJ6 Package Code represents the single box/container (e.g. SJ6). Please use the packaging code provided by JD on schedule agreement.
1131	Code list identification code	C an..17	N	Not used
3055	Code list responsible agency code	C an..3	C an..3	92
				92 Assigned by buyer or buyer's agent
7064	Type of packages	C an..35	N	Not used
C402		C	N	
7077	Description format code	M an..3	N	Not used
7064	Type of packages	M an..35	N	Not used
7143	Item type identification code	C an..3	N	Not used
7064	Type of packages	C an..35	N	Not used
7143	Item type identification code	C an..3	N	Not used
C532		C	N	
8395	Returnable package freight payment responsibility code	C an..3	N	Not used
8393	Returnable package load contents code	C an..3	N	Not used

Remark:

If external (outer) packaging, use valid code provided by JD, if iavailable.
If unavailable please leave blank as as follows: PAC+2+:36+:92.

If internal (inner) packaging, use valid code provided by JD via EDI data.
If unavailable please leave blank as as follows: PAC+2+:36+:92.

Example:

PAC+2+:36+SJ6::92'

No = Consecutive segment number
MaxOcc = Maximum occurrence of the segment/group
Counter = Counter of segment/group within the standard

St = Status
EDIFACT: M=Mandatory, C=Conditional
User specific: R=Required, O=Optional, D=Dependent, A=Advised, N=Not used

Counter	No	Tag	St	MaxOcc	Level	Name
0430		SG11	C	9999	2	PAC-QTY-SG13
0460	25	QTY	M	10	3	Quantity

Standard			Implementation	
Tag	Name	St Format	JD Format	Usage / Remark
QTY				
C186		M	M	
6063	Quantity type code qualifier	M an..3	R an..3	52
				52 Quantity per pack
6060	Quantity	M an..35	R an..35	20
6411	Measurement unit code	C an..8	R an..8	PCE
				PCE

Remark:

Example:

QTY+52:20:PCE'

No = Consecutive segment number
 MaxOcc = Maximum occurrence of the segment/group
 Counter = Counter of segment/group within the standard

St = Status
 EDIFACT: M=Mandatory, C=Conditional
 User specific: R=Required, O=Optional, D=Dependent,
 A=Advised, N=Not used

Counter	No	Tag	St	MaxOcc	Level	Name	
	0500	SG13	C	1000	3	PCI-SG15	
	0510	26	PCI	M	1	3	Package identification. 1J for Single label

Standard			Implementation	
Tag	Name	St Format	JD Format	Usage / Remark
PCI				
4233	Marking instructions code	C an..3	R an..3	17
				17 Seller's instructions
C210		C	N	
7102	Shipping marks description	M an..35	N	Not used
7102	Shipping marks description	C an..35	N	Not used
7102	Shipping marks description	C an..35	N	Not used
7102	Shipping marks description	C an..35	N	Not used
7102	Shipping marks description	C an..35	N	Not used
7102	Shipping marks description	C an..35	N	Not used
7102	Shipping marks description	C an..35	N	Not used
7102	Shipping marks description	C an..35	N	Not used
7102	Shipping marks description	C an..35	N	Not used
7102	Shipping marks description	C an..35	N	Not used
8169	Full or empty indicator code	C an..3	N	Not used
C827		C	C	
7511	Marking type code	M an..3	R an..3	1J <i>Single label</i>
1131	Code list identification code	C an..17	N	Not used
3055	Code list responsible agency code	C an..3	C an..3	5
				5 ISO (International Organization for Standardization)

Remark:

Example:

PCI+17+++1J::5'

No = Consecutive segment number
 MaxOcc = Maximum occurrence of the segment/group
 Counter = Counter of segment/group within the standard

St = Status
 EDIFACT: M=Mandatory, C=Conditional
 User specific: R=Required, O=Optional, D=Dependent, A=Advised, N=Not used

Counter	No	Tag	St	MaxOcc	Level	Name
	0570	SG15	C	99	4	GIN
	0580	GIN	M	1	4	Goods identity number

Standard			Implementation	
Tag	Name	St Format	JD Format	Usage / Remark
GIN				
7405	Object identification code qualifier	M an..3	R an..3	ML
				ML Marking/label number
C208		M	M	
7402	Object identifier	M an..35	R an..35	DE000055555987654321 <i>License Plate Number (LPN) - represents single box/ container</i>
7402	Object identifier	C an..35	N	Not used
C208		C	N	
7402	Object identifier	M an..35	N	Not used
7402	Object identifier	C an..35	N	Not used
C208		C	N	
7402	Object identifier	M an..35	N	Not used
7402	Object identifier	C an..35	N	Not used
C208		C	N	
7402	Object identifier	M an..35	N	Not used
7402	Object identifier	C an..35	N	Not used
C208		C	N	
7402	Object identifier	M an..35	N	Not used
7402	Object identifier	C an..35	N	Not used

Remark:

There are two options to create the LPN. First represents the LPN for suppliers which don't have their own unique DUNS number. The second one is with supplier's DUNS number.

Option 1: DE000055555987654300 = DE (2 digits, DE for DEERE) + Supplier number provided by John Deere (9 digits, leftfill with 0) + Serial Number supplier assigned (9 digits)

Option 2:

UN123456789987654300 = UN (2 digits) + Supplier DUNS NUMBER (9 digits) + Serial Number supplier assigned (9 digits)

Example:

GIN+ML+DE000055555987654321'

No = Consecutive segment number
 MaxOcc = Maximum occurrence of the segment/group
 Counter = Counter of segment/group within the standard

St = Status
 EDIFACT: M=Mandatory, C=Conditional
 User specific: R=Required, O=Optional, D=Dependent, A=Advised, N=Not used

Counter	No	Tag	St	MaxOcc	Level	Name	
	0650	SG17	C	9999	2	LIN-PIA-IMD-QTY-ALI-SG18-SG20	
	0660	28	LIN	M	1	2	Line item

Standard			Implementation	
Tag	Name	St Format	JD Format	Usage / Remark
LIN				
1082	Line item identifier	C an..6	R an..6	1 max 6 digits with leading 4 zeros accepted. Identifier needs to be different in each CPS segment.
1229	Action code	C an..3	N	Not used
C212		C	R	
7140	Item identifier	C an..35	R an..35	AL123456 John Deere Part number
7143	Item type identification code	C an..3	R an..3	IN IN Buyer's item number
1131	Code list identification code	C an..17	N	Not used
3055	Code list responsible agency code	C an..3	N	Not used
C829		C	N	
5495	Sub-line indicator code	C an..3	N	Not used
1082	Line item identifier	C an..6	N	Not used
1222	Configuration level number	C n..2	N	Not used
7083	Configuration operation code	C an..3	N	Not used

Remark:

Part number provided by Customer (John Deere)

Example:

LIN+1++AL123456:IN'

No = Consecutive segment number
 MaxOcc = Maximum occurrence of the segment/group
 Counter = Counter of segment/group within the standard

St = Status
 EDIFACT: M=Mandatory, C=Conditional
 User specific: R=Required, O=Optional, D=Dependent, A=Advised, N=Not used

Counter	No	Tag	St	MaxOcc	Level	Name
	0650	SG17	C	9999	2	LIN-PIA-IMD-QTY-ALI-SG18-SG20
	0670	29 PIA	M	10	3	Additional product id

Standard			Implementation	
Tag	Name	St Format	JD Format	Usage / Remark
PIA				
4347	Product identifier code qualifier	M an..3	R an..3	1 1 Additional identification <i>Information which specifies and qualifies product identifications.</i>
C212		M	M	
7140	Item identifier	C an..35	R an..35	0000912345 <i>KANBAN Ident number, e.g. 0000912345</i>
7143	Item type identification code	C an..3	R an..3	NB NB Batch number
1131	Code list identification code	C an..17	N	Not used
3055	Code list responsible agency code	C an..3	N	Not used
C212		C	N	
7140	Item identifier	C an..35	N	Not used
7143	Item type identification code	C an..3	N	Not used
1131	Code list identification code	C an..17	N	Not used
3055	Code list responsible agency code	C an..3	N	Not used
C212		C	N	
7140	Item identifier	C an..35	N	Not used
7143	Item type identification code	C an..3	N	Not used
1131	Code list identification code	C an..17	N	Not used
3055	Code list responsible agency code	C an..3	N	Not used
C212		C	N	
7140	Item identifier	C an..35	N	Not used
7143	Item type identification code	C an..3	N	Not used
1131	Code list identification code	C an..17	N	Not used
3055	Code list responsible agency code	C an..3	N	Not used
C212		C	N	
7140	Item identifier	C an..35	N	Not used
7143	Item type identification code	C an..3	N	Not used
1131	Code list identification code	C an..17	N	Not used
3055	Code list responsible agency code	C an..3	N	Not used

Remark:

This segment only applies for DESADV JIT (KANBAN process)

Example:

PIA+1+0000912345:NB'

No = Consecutive segment number
 MaxOcc = Maximum occurrence of the segment/group
 Counter = Counter of segment/group within the standard

St = Status
 EDIFACT: M=Mandatory, C=Conditional
 User specific: R=Required, O=Optional, D=Dependent, A=Advised, N=Not used

Counter	No	Tag	St	MaxOcc	Level	Name
	0650	SG17	C	9999	2	LIN-PIA-IMD-QTY-ALI-SG18-SG20
	0680	30 IMD	C	99	3	Item description

Standard			Implementation	
Tag	Name	St Format	JD Format	Usage / Remark
IMD				
7077	Description format code	C an..3	C an..3	F
				F Free-form
C272		C	N	
7081	Item characteristic code	C an..3	N	Not used
1131	Code list identification code	C an..17	N	Not used
3055	Code list responsible agency code	C an..3	N	Not used
C273		C	C	
7009	Item description code	C an..17	N	Not used
1131	Code list identification code	C an..17	N	Not used
3055	Code list responsible agency code	C an..3	N	Not used
7008	Item description	C an..256	C an..256	SCHRAUBE
7008	Item description	C an..256	N	Not used
3453	Language name code	C an..3	N	Not used
7383	Surface or layer code	C an..3	N	Not used

Remark:

Short part description

Example:

IMD+F++:::SCHRAUBE'

No = Consecutive segment number
 MaxOcc = Maximum occurrence of the segment/group
 Counter = Counter of segment/group within the standard

St = Status
 EDIFACT: M=Mandatory, C=Conditional
 User specific: R=Required, O=Optional, D=Dependent, A=Advised, N=Not used

Counter	No	Tag	St	MaxOcc	Level	Name
	0650	SG17	C	9999	2	LIN-PIA-IMD-QTY-ALI-SG18-SG20
	0700	31 QTY	M	10	3	Quantity

Standard			Implementation	
Tag	Name	St Format	JD Format	Usage / Remark
QTY				
C186		M	M	
6063	Quantity type code qualifier	M an..3	R an..3	12
				12 Despatch quantity
6060	Quantity	M an..35	R an..35	40
6411	Measurement unit code	C an..8	R an..8	PCE
				PCE

Remark:

Example:

QTY+12:40:PCE'

No = Consecutive segment number
 MaxOcc = Maximum occurrence of the segment/group
 Counter = Counter of segment/group within the standard

St = Status
 EDIFACT: M=Mandatory, C=Conditional
 User specific: R=Required, O=Optional, D=Dependent,
 A=Advised, N=Not used

Counter	No	Tag	St	MaxOcc	Level	Name	
	0650	SG17	C	9999	2	LIN-PIA-IMD-QTY-ALI-SG18-SG20	
	0710	32	ALI	M	10	3	Additional information

Standard			Implementation	
Tag	Name	St Format	JD Format	Usage / Remark
ALI				
3239	Country of origin identifier	C an..3	R an..3	DE <i>e.g. DE</i> DE GERMANY
9213	Duty regime type code	C an..3	N	Not used
4183	Special condition code	C an..3	N	Not used
4183	Special condition code	C an..3	N	Not used
4183	Special condition code	C an..3	N	Not used
4183	Special condition code	C an..3	N	Not used

Remark:
Country of origin

Example:
ALI+DE'

No = Consecutive segment number
 MaxOcc = Maximum occurrence of the segment/group
 Counter = Counter of segment/group within the standard

St = Status
 EDIFACT: M=Mandatory, C=Conditional
 User specific: R=Required, O=Optional, D=Dependent,
 A=Advised, N=Not used

Counter	No	Tag	St	MaxOcc	Level	Name
0830		SG18	M	99	3	RFF
0840	33	RFF	M	1	3	Reference (Despatch note document identifier)

Standard			Implementation	
Tag	Name	St Format	JD Format	Usage / Remark
RFF				
C506		M	M	
1153	Reference code qualifier	M an..3	R an..3	AAU AAU Despatch note document identifier
1154	Reference identifier	C an..70	R an..70	2904000935 <i>Delivery document number</i>
1156	Document line identifier	C an..6	N	Not used
1056	Version identifier	C an..9	N	Not used
1060	Revision identifier	C an..6	N	Not used

Remark:
Usually packaging list number

Example:
RFF+AAU:2904000935'

No = Consecutive segment number
MaxOcc = Maximum occurrence of the segment/group
Counter = Counter of segment/group within the standard

St = Status
EDIFACT: M=Mandatory, C=Conditional
User specific: R=Required, O=Optional, D=Dependent, A=Advised, N=Not used

Counter	No	Tag	St	MaxOcc	Level	Name	
	0830	SG18	M	99	3	RFF	
	0840	34	RFF	M	1	3	Reference

Standard			Implementation	
Tag	Name	St Format	JD Format	Usage / Remark
RFF				
C506		M	M	
1153	Reference code qualifier	M an..3	R an..3	COF
				COF Call off order number
1154	Reference identifier	C an..70	R an..70	0000091234
1156	Document line identifier	C an..6	R an..6	0010
1056	Version identifier	C an..9	N	Not used
1060	Revision identifier	C an..6	N	Not used

Remark:

This segment only applies for DESADV JIT (KANBAN process).

A segment for referencing document and other numbers related to the line item as specified in the LIN segment. JD requires exactly the same segment which was provided in the DELJIT message.

Example:

REF+COF:0000091234:0010'

No = Consecutive segment number
 MaxOcc = Maximum occurrence of the segment/group
 Counter = Counter of segment/group within the standard

St = Status
 EDIFACT: M=Mandatory, C=Conditional
 User specific: R=Required, O=Optional, D=Dependent,
 A=Advised, N=Not used

Counter	No	Tag	St	MaxOcc	Level	Name
0830		SG18	M	99	3	RFF
0840	35	RFF	M	1	3	Reference (Order document identifier, buyer assigned)

Standard			Implementation	
Tag	Name	St Format	JD Format	Usage / Remark
RFF				
C506		M	M	
1153	Reference code qualifier	M an..3	R an..3	ON
				ON Order document identifier, buyer assigned
1154	Reference identifier	C an..70	R an..70	0057456789
1156	Document line identifier	C an..6	R an..6	000010
1056	Version identifier	C an..9	N	Not used
1060	Revision identifier	C an..6	N	Not used

Remark:

Order document identifier must be 10 digits long (leftfill with 0) Document line identifier must be 6 digits long (leftfill with 0)

Example:

RFF+ON:0057456789:000010'

No = Consecutive segment number
 MaxOcc = Maximum occurrence of the segment/group
 Counter = Counter of segment/group within the standard

St = Status
 EDIFACT: M=Mandatory, C=Conditional
 User specific: R=Required, O=Optional, D=Dependent,
 A=Advised, N=Not used

Counter	No	Tag	St	MaxOcc	Level	Name
	0920	SG20	C	100	3	LOC
	0930	LOC	M	1	3	Place/location identification

Standard			Implementation	
Tag	Name	St Format	JD Format	Usage / Remark
LOC				
3227	Location function code qualifier	M an..3	R an..3	11
				11 Place of discharge
C517		C	C	
3225	Location identifier	C an..35	R an..35	RP1 <i>Unloading point provided in DELJIT D18 on LOC+7 segment.</i>
1131	Code list identification code	C an..17	N	Not used
3055	Code list responsible agency code	C an..3	N	Not used
3224	Location name	C an..256	N	Not used
C519		C	N	
3223	First related location identifier	C an..35	N	Not used
1131	Code list identification code	C an..17	N	Not used
3055	Code list responsible agency code	C an..3	N	Not used
3222	First related location name	C an..70	N	Not used
C553		C	N	
3233	Second related location identifier	C an..35	N	Not used
1131	Code list identification code	C an..17	N	Not used
3055	Code list responsible agency code	C an..3	N	Not used
3232	Second related location name	C an..70	N	Not used
5479	Relation code	C an..3	N	Not used

Remark:

This segment only applies for DESADV_JIT (KANBAN process).

Example:

LOC+11+RP1'

No = Consecutive segment number
 MaxOcc = Maximum occurrence of the segment/group
 Counter = Counter of segment/group within the standard

St = Status
 EDIFACT: M=Mandatory, C=Conditional
 User specific: R=Required, O=Optional, D=Dependent, A=Advised, N=Not used

Counter	No	Tag	St	MaxOcc	Level	Name
	0920	SG20	C	100	3	LOC
	0930	LOC	M	1	3	Place/location identification

Standard			Implementation	
Tag	Name	St Format	JD Format	Usage / Remark
LOC				
3227	Location function code qualifier	M an..3	R an..3	159 159 Additional internal destination <i>Any location within the consignee's premises where the goods are moved to.</i>
C517		C	C	
3225	Location identifier	C an..35	R an..35	RP1-001
1131	Code list identification code	C an..17	N	Not used
3055	Code list responsible agency code	C an..3	N	Not used
3224	Location name	C an..256	N	Not used
C519		C	N	
3223	First related location identifier	C an..35	N	Not used
1131	Code list identification code	C an..17	N	Not used
3055	Code list responsible agency code	C an..3	N	Not used
3222	First related location name	C an..70	N	Not used
C553		C	N	
3233	Second related location identifier	C an..35	N	Not used
1131	Code list identification code	C an..17	N	Not used
3055	Code list responsible agency code	C an..3	N	Not used
3232	Second related location name	C an..70	N	Not used
5479	Relation code	C an..3	N	Not used

Remark:

This segment only applies for DESADV_JIT (KANBAN process).

Example:

LOC+159+RP1-001'

No = Consecutive segment number
 MaxOcc = Maximum occurrence of the segment/group
 Counter = Counter of segment/group within the standard

St = Status
 EDIFACT: M=Mandatory, C=Conditional
 User specific: R=Required, O=Optional, D=Dependent, A=Advised, N=Not used

Counter	No	Tag	St	MaxOcc	Level	Name
	0390	SG10	C	9999	1	CPS-SG11-SG17
	0400	38 CPS	M	1	1	Consignment packing sequence (Inner packaging)

Standard			Implementation	
Tag	Name	St Format	JD Format	Usage / Remark
CPS				
7164	Hierarchical structure level identifier	M an..35	M an..35	3
7166	Hierarchical structure parent identifier	C an..35	N	Not used
7075	Packaging level code	C an..3	R an..3	1
				1 Inner

Remark:

1 must be used in combination with CPS+n+3'

Packaging level code is absolutely required for building GTL (Global Transport Label) process correctly

Example:

CPS+3++1'

No = Consecutive segment number
 MaxOcc = Maximum occurrence of the segment/group
 Counter = Counter of segment/group within the standard

St = Status
 EDIFACT: M=Mandatory, C=Conditional
 User specific: R=Required, O=Optional, D=Dependent,
 A=Advised, N=Not used

Counter	No	Tag	St	MaxOcc	Level	Name
	0430	SG11	C	9999	2	PAC-QTY-SG13
	0440	PAC	M	1	2	Package

Standard			Implementation	
Tag	Name	St Format	JD Format	Usage / Remark
PAC				
7224	Package quantity	C n..8	R n..8	2
C531		C	C	
7075	Packaging level code	C an..3	N	Not used
7233	Packaging related description code	C an..3	M an..3	36
				36 Package specifications
7073	Packaging terms and conditions code	C an..3	N	Not used
C202		C	C	
7065	Package type description code	C an..17	M an..17	SJ6 Package Code represents the single box/container (e.g. SJ6). Please use the packgng code provided by JD on schedule agreement.
1131	Code list identification code	C an..17	N	Not used
3055	Code list responsible agency code	C an..3	C an..3	92
				92 Assigned by buyer or buyer's agent
7064	Type of packages	C an..35	N	Not used
C402		C	N	
7077	Description format code	M an..3	N	Not used
7064	Type of packages	M an..35	N	Not used
7143	Item type identification code	C an..3	N	Not used
7064	Type of packages	C an..35	N	Not used
7143	Item type identification code	C an..3	N	Not used
C532		C	N	
8395	Returnable package freight payment responsibility code	C an..3	N	Not used
8393	Returnable package load contents code	C an..3	N	Not used

Remark:

If external (outer) packaging, use valid code provided by JD, if iavailable.
If unavailable please leave blank as as follows: PAC+2+:36+:92.

If internal (inner) packaging, use valid code provided by JD via EDI data.
If unavailable please leave blank as as follows: PAC+2+:36+:92.

Example:

PAC+2+:36+SJ6::92'

No = Consecutive segment number
MaxOcc = Maximum occurrence of the segment/group
Counter = Counter of segment/group within the standard

St = Status
EDIFACT: M=Mandatory, C=Conditional
User specific: R=Required, O=Optional, D=Dependent, A=Advised, N=Not used

Counter	No	Tag	St	MaxOcc	Level	Name
0430		SG11	C	9999	2	PAC-QTY-SG13
0460	40	QTY	M	10	3	Quantity

Standard			Implementation	
Tag	Name	St Format	JD Format	Usage / Remark
QTY				
C186		M	M	
6063	Quantity type code qualifier	M an..3	R an..3	52
				52 Quantity per pack
6060	Quantity	M an..35	R an..35	25
6411	Measurement unit code	C an..8	R an..8	PCE
				PCE

Remark:

Example:

QTY+52:25:PCE'

No = Consecutive segment number
 MaxOcc = Maximum occurrence of the segment/group
 Counter = Counter of segment/group within the standard

St = Status
 EDIFACT: M=Mandatory, C=Conditional
 User specific: R=Required, O=Optional, D=Dependent,
 A=Advised, N=Not used

Counter	No	Tag	St	MaxOcc	Level	Name	
	0500	SG13	C	1000	3	PCI-SG15	
	0510	41	PCI	M	1	3	Package identification (Single label), 1J for Single label

Standard			Implementation	
Tag	Name	St Format	JD Format	Usage / Remark
PCI				
4233	Marking instructions code	C an..3	R an..3	17
				17 Seller's instructions
C210		C	N	
7102	Shipping marks description	M an..35	N	Not used
7102	Shipping marks description	C an..35	N	Not used
7102	Shipping marks description	C an..35	N	Not used
7102	Shipping marks description	C an..35	N	Not used
7102	Shipping marks description	C an..35	N	Not used
7102	Shipping marks description	C an..35	N	Not used
7102	Shipping marks description	C an..35	N	Not used
7102	Shipping marks description	C an..35	N	Not used
7102	Shipping marks description	C an..35	N	Not used
7102	Shipping marks description	C an..35	N	Not used
8169	Full or empty indicator code	C an..3	N	Not used
C827		C	C	
7511	Marking type code	M an..3	R an..3	1J <i>Single label</i>
1131	Code list identification code	C an..17	N	Not used
3055	Code list responsible agency code	C an..3	C an..3	5
				5 ISO (International Organization for Standardization)

Remark:

Example:

PCI+17+++1J::5'

No = Consecutive segment number
 MaxOcc = Maximum occurrence of the segment/group
 Counter = Counter of segment/group within the standard

St = Status
 EDIFACT: M=Mandatory, C=Conditional
 User specific: R=Required, O=Optional, D=Dependent, A=Advised, N=Not used

Counter	No	Tag	St	MaxOcc	Level	Name
	0570	SG15	C	99	4	GIN
	0580	GIN	M	1	4	Goods identity number

Standard			Implementation	
Tag	Name	St Format	JD Format	Usage / Remark
GIN				
7405	Object identification code qualifier	M an..3	R an..3	ML
				ML Marking/label number
C208		M	M	
7402	Object identifier	M an..35	R an..35	DE000055555987654322 License Plate Number (LPN) 2 - represents single box/ container
7402	Object identifier	C an..35	N	Not used
C208		C	N	
7402	Object identifier	M an..35	N	Not used
7402	Object identifier	C an..35	N	Not used
C208		C	N	
7402	Object identifier	M an..35	N	Not used
7402	Object identifier	C an..35	N	Not used
C208		C	N	
7402	Object identifier	M an..35	N	Not used
7402	Object identifier	C an..35	N	Not used
C208		C	N	
7402	Object identifier	M an..35	N	Not used
7402	Object identifier	C an..35	N	Not used

Remark:

There are two options to create the LPN. First represents the LPN for suppliers which don't have their own unique DUNS number. The second one is with supplier's DUNS number.

Option 1: DE000055555987654300 = DE (2 digits, DE for DEERE) + Supplier number provided by John Deere (9 digits, leftfill with 0) + Serial Number supplier assigned (9 digits)

Option 2:

UN123456789987654300 = UN (2 digits) + Supplier DUNS NUMBER (9 digits) + Serial Number supplier assigned (9 digits)

Example:

GIN+ML+DE000055555987654322'

No = Consecutive segment number
 MaxOcc = Maximum occurrence of the segment/group
 Counter = Counter of segment/group within the standard

St = Status
 EDIFACT: M=Mandatory, C=Conditional
 User specific: R=Required, O=Optional, D=Dependent, A=Advised, N=Not used

Counter	No	Tag	St	MaxOcc	Level	Name	
	0650	SG17	C	9999	2	LIN-PIA-IMD-QTY-ALI-SG18-SG20	
	0660	43	LIN	M	1	2	Line item

Standard			Implementation	
Tag	Name	St Format	JD Format	Usage / Remark
LIN				
1082	Line item identifier	C an..6	R an..6	2 max 6 digits with leading 4 zeros accepted. Identifier needs to be different in each CPS segment.
1229	Action code	C an..3	N	Not used
C212		C	R	
7140	Item identifier	C an..35	R an..35	AL654321 John Deere Part number
7143	Item type identification code	C an..3	R an..3	IN IN Buyer's item number
1131	Code list identification code	C an..17	N	Not used
3055	Code list responsible agency code	C an..3	N	Not used
C829		C	N	
5495	Sub-line indicator code	C an..3	N	Not used
1082	Line item identifier	C an..6	N	Not used
1222	Configuration level number	C n..2	N	Not used
7083	Configuration operation code	C an..3	N	Not used

Remark:
Part number provided by Customer (John Deere)

Example:
LIN+2++AL654321:IN'

No = Consecutive segment number
MaxOcc = Maximum occurrence of the segment/group
Counter = Counter of segment/group within the standard

St = Status
EDIFACT: M=Mandatory, C=Conditional
User specific: R=Required, O=Optional, D=Dependent, A=Advised, N=Not used

Counter	No	Tag	St	MaxOcc	Level	Name
0650		SG17	C	9999	2	LIN-PIA-IMD-QTY-ALI-SG18-SG20
0670	44	PIA	C	10	3	M

Standard			Implementation	
Tag	Name	St Format	JD Format	Usage / Remark
PIA				
4347	Product identifier code qualifier	M an..3	R an..3	1 1 Additional identification <i>Information which specifies and qualifies product identifications.</i>
C212		M	M	
7140	Item identifier	C an..35	R an..35	0000952282 <i>KANBAN Ident number, e.g. 0000952282</i>
7143	Item type identification code	C an..3	R an..3	NB NB Batch number
1131	Code list identification code	C an..17	N	Not used
3055	Code list responsible agency code	C an..3	N	Not used
C212		C	N	
7140	Item identifier	C an..35	N	Not used
7143	Item type identification code	C an..3	N	Not used
1131	Code list identification code	C an..17	N	Not used
3055	Code list responsible agency code	C an..3	N	Not used
C212		C	N	
7140	Item identifier	C an..35	N	Not used
7143	Item type identification code	C an..3	N	Not used
1131	Code list identification code	C an..17	N	Not used
3055	Code list responsible agency code	C an..3	N	Not used
C212		C	N	
7140	Item identifier	C an..35	N	Not used
7143	Item type identification code	C an..3	N	Not used
1131	Code list identification code	C an..17	N	Not used
3055	Code list responsible agency code	C an..3	N	Not used
C212		C	N	
7140	Item identifier	C an..35	N	Not used
7143	Item type identification code	C an..3	N	Not used
1131	Code list identification code	C an..17	N	Not used
3055	Code list responsible agency code	C an..3	N	Not used

Remark:

This segment only applies for DESADV JIT (KANBAN process).

Example:

PIA+1+0000952282:NB'

No = Consecutive segment number
 MaxOcc = Maximum occurrence of the segment/group
 Counter = Counter of segment/group within the standard

St = Status
 EDIFACT: M=Mandatory, C=Conditional
 User specific: R=Required, O=Optional, D=Dependent, A=Advised, N=Not used

Counter	No	Tag	St	MaxOcc	Level	Name
	0650	SG17	C	9999	2	LIN-PIA-IMD-QTY-ALI-SG18-SG20
	0680	45 IMD	C	99	3	Item description

Standard			Implementation	
Tag	Name	St Format	JD Format	Usage / Remark
IMD				
7077	Description format code	C an..3	C an..3	F F Free-form
C272		C	N	
7081	Item characteristic code	C an..3	N	Not used
1131	Code list identification code	C an..17	N	Not used
3055	Code list responsible agency code	C an..3	N	Not used
C273		C	C	
7009	Item description code	C an..17	N	Not used
1131	Code list identification code	C an..17	N	Not used
3055	Code list responsible agency code	C an..3	N	Not used
7008	Item description	C an..256	C an..256	Bremsleitung
7008	Item description	C an..256	N	Not used
3453	Language name code	C an..3	N	Not used
7383	Surface or layer code	C an..3	N	Not used

Remark:

Short part description

Example:

IMD+F++:::Bremsleitung'

No = Consecutive segment number
 MaxOcc = Maximum occurrence of the segment/group
 Counter = Counter of segment/group within the standard

St = Status
 EDIFACT: M=Mandatory, C=Conditional
 User specific: R=Required, O=Optional, D=Dependent,
 A=Advised, N=Not used

Counter	No	Tag	St	MaxOcc	Level	Name
	0650	SG17	C	9999	2	LIN-PIA-IMD-QTY-ALI-SG18-SG20
	0700	46 QTY	M	10	3	Quantity

Standard			Implementation	
Tag	Name	St Format	JD Format	Usage / Remark
QTY				
C186		M	M	
6063	Quantity type code qualifier	M an..3	R an..3	12
				12 Despatch quantity
6060	Quantity	M an..35	R an..35	50
6411	Measurement unit code	C an..8	R an..8	PCE
				PCE

Remark:

Example:

QTY+12:50:PCE'

No = Consecutive segment number
 MaxOcc = Maximum occurrence of the segment/group
 Counter = Counter of segment/group within the standard

St = Status
 EDIFACT: M=Mandatory, C=Conditional
 User specific: R=Required, O=Optional, D=Dependent,
 A=Advised, N=Not used

Counter	No	Tag	St	MaxOcc	Level	Name	
	0650	SG17	C	9999	2	LIN-PIA-IMD-QTY-ALI-SG18-SG20	
	0710	47	ALI	M	10	3	Additional information

Standard			Implementation	
Tag	Name	St Format	JD Format	Usage / Remark
ALI				
3239	Country of origin identifier	C an..3	R an..3	DE DE GERMANY
9213	Duty regime type code	C an..3	N	Not used
4183	Special condition code	C an..3	N	Not used
4183	Special condition code	C an..3	N	Not used
4183	Special condition code	C an..3	N	Not used
4183	Special condition code	C an..3	N	Not used
4183	Special condition code	C an..3	N	Not used

Remark:
Country of origin

Example:
ALI+DE '

No = Consecutive segment number
 MaxOcc = Maximum occurrence of the segment/group
 Counter = Counter of segment/group within the standard

St = Status
 EDIFACT: M=Mandatory, C=Conditional
 User specific: R=Required, O=Optional, D=Dependent,
 A=Advised, N=Not used

Counter	No	Tag	St	MaxOcc	Level	Name
	0830	SG18	R	99	3	RFF
	0840	RFF	M	1	3	Reference (Despatch note document identifier)

Standard			Implementation	
Tag	Name	St Format	JD Format	Usage / Remark
RFF				
C506		M	M	
1153	Reference code qualifier	M an..3	R an..3	AAU AAU Despatch note document identifier
1154	Reference identifier	C an..70	R an..70	2904000935 <i>Delivery document number</i>
1156	Document line identifier	C an..6	N	Not used
1056	Version identifier	C an..9	N	Not used
1060	Revision identifier	C an..6	N	Not used

Remark:
Usually packaging list number

Example:
RFF+AAU:2904000935'

No = Consecutive segment number
MaxOcc = Maximum occurrence of the segment/group
Counter = Counter of segment/group within the standard

St = Status
EDIFACT: M=Mandatory, C=Conditional
User specific: R=Required, O=Optional, D=Dependent, A=Advised, N=Not used

Counter	No	Tag	St	MaxOcc	Level	Name
0830		SG18	R	99	3	RFF
0840	49	RFF	M	1	3	Reference

Standard			Implementation	
Tag	Name	St Format	JD Format	Usage / Remark
RFF				
C506		M	M	
1153	Reference code qualifier	M an..3	R an..3	COF
				COF Call off order number
1154	Reference identifier	C an..70	R an..70	0000099966
1156	Document line identifier	C an..6	R an..6	0010
1056	Version identifier	C an..9	N	Not used
1060	Revision identifier	C an..6	N	Not used

Remark:

This segment only applies for DESADV JIT (KANBAN process).

A segment for referencing document and other numbers related to the line item as specified in the LIN segment. JD requires exactly the same segment which was provided in the DELJIT message.

Example:

RFF+COF:0000099966:0010'

No = Consecutive segment number
 MaxOcc = Maximum occurrence of the segment/group
 Counter = Counter of segment/group within the standard

St = Status
 EDIFACT: M=Mandatory, C=Conditional
 User specific: R=Required, O=Optional, D=Dependent,
 A=Advised, N=Not used

Counter	No	Tag	St	MaxOcc	Level	Name
0830		SG18	R	99	3	RFF
0840	50	RFF	M	1	3	Reference (Order document identifier, buyer assigned)

Standard			Implementation	
Tag	Name	St Format	JD Format	Usage / Remark
RFF				
C506		M	M	
1153	Reference code qualifier	M an..3	R an..3	ON ON Order document identifier, buyer assigned
1154	Reference identifier	C an..70	R an..70	0057987654
1156	Document line identifier	C an..6	R an..6	000010
1056	Version identifier	C an..9	N	Not used
1060	Revision identifier	C an..6	N	Not used

Remark:

Order document identifier must be 10 digits long (leftfill with 0) Document line identifier must be 6 digits long (leftfill with 0)

Example:

RFF+ON:0057987654:000010'

No = Consecutive segment number
 MaxOcc = Maximum occurrence of the segment/group
 Counter = Counter of segment/group within the standard

St = Status
 EDIFACT: M=Mandatory, C=Conditional
 User specific: R=Required, O=Optional, D=Dependent,
 A=Advised, N=Not used

Counter	No	Tag	St	MaxOcc	Level	Name
	0920	SG20	C	100	3	LOC
	0930	LOC	M	1	3	Place/location identification

Standard			Implementation	
Tag	Name	St Format	JD Format	Usage / Remark
LOC				
3227	Location function code qualifier	M an..3	R an..3	11
				11 Place of discharge
C517		C	C	
3225	Location identifier	C an..35	R an..35	12K <i>Unloading point provided in DELJIT D18 on LOC+7 segment.</i>
1131	Code list identification code	C an..17	N	Not used
3055	Code list responsible agency code	C an..3	N	Not used
3224	Location name	C an..256	N	Not used
C519		C	N	
3223	First related location identifier	C an..35	N	Not used
1131	Code list identification code	C an..17	N	Not used
3055	Code list responsible agency code	C an..3	N	Not used
3222	First related location name	C an..70	N	Not used
C553		C	N	
3233	Second related location identifier	C an..35	N	Not used
1131	Code list identification code	C an..17	N	Not used
3055	Code list responsible agency code	C an..3	N	Not used
3232	Second related location name	C an..70	N	Not used
5479	Relation code	C an..3	N	Not used

Remark:

This segment only applies for DESADV_JIT (KANBAN process).

Example:

LOC+11+12K'

No = Consecutive segment number
 MaxOcc = Maximum occurrence of the segment/group
 Counter = Counter of segment/group within the standard

St = Status
 EDIFACT: M=Mandatory, C=Conditional
 User specific: R=Required, O=Optional, D=Dependent, A=Advised, N=Not used

Counter	No	Tag	St	MaxOcc	Level	Name
	0920	SG20	C	100	3	LOC
	0930	LOC	M	1	3	Place/location identification

Standard			Implementation	
Tag	Name	St Format	JD Format	Usage / Remark
LOC				
3227	Location function code qualifier	M an..3	R an..3	159 159 Additional internal destination <i>Any location within the consignee's premises where the goods are moved to.</i>
C517		C	C	
3225	Location identifier	C an..35	R an..35	582-U28
1131	Code list identification code	C an..17	N	Not used
3055	Code list responsible agency code	C an..3	N	Not used
3224	Location name	C an..256	N	Not used
C519		C	N	
3223	First related location identifier	C an..35	N	Not used
1131	Code list identification code	C an..17	N	Not used
3055	Code list responsible agency code	C an..3	N	Not used
3222	First related location name	C an..70	N	Not used
C553		C	N	
3233	Second related location identifier	C an..35	N	Not used
1131	Code list identification code	C an..17	N	Not used
3055	Code list responsible agency code	C an..3	N	Not used
3232	Second related location name	C an..70	N	Not used
5479	Relation code	C an..3	N	Not used

Remark:

This segment only applies for DESADV_JIT (KANBAN process).

Example:

LOC+159+582-U28'

No = Consecutive segment number
 MaxOcc = Maximum occurrence of the segment/group
 Counter = Counter of segment/group within the standard

St = Status
 EDIFACT: M=Mandatory, C=Conditional
 User specific: R=Required, O=Optional, D=Dependent, A=Advised, N=Not used

Counter	No	Tag	St	MaxOcc	Level	Name
1160	53	UNT	M	1	0	Message trailer

		Standard	Implementation		
Tag	Name	St Format	JD Format	Usage / Remark	
UNT					
0074	Number of segments in the message	M n..6	M n..6	41	
0062	Message reference number	M an..14	M an..14	1	

Remark:

Example:
UNT+41+1'

No = Consecutive segment number
 MaxOcc = Maximum occurrence of the segment/group
 Counter = Counter of segment/group within the standard

St = Status
 EDIFACT: M=Mandatory, C=Conditional
 User specific: R=Required, O=Optional, D=Dependent,
 A=Advised, N=Not used

Counter	No	Tag	St	MaxOcc	Level	Name
0000	54	UNZ	M	1	0	Interchange trailer

Standard			Implementation	
Tag	Name	St Format	JD Format	Usage / Remark
UNZ				
0036	Interchange control count	M n..6	M n..6	1
0020	Interchange control reference	M an..14	M an..14	9203074

Remark:

Example:

UNZ+1+9203074'

No = Consecutive segment number
 MaxOcc = Maximum occurrence of the segment/group
 Counter = Counter of segment/group within the standard

St = Status
 EDIFACT: M=Mandatory, C=Conditional
 User specific: R=Required, O=Optional, D=Dependent,
 A=Advised, N=Not used

Example Message - DESADV_JIT (KANBAN)

UNA:+.? '
 UNB+UNOC:3+DE192452089:ZZ:0000xxxxxx+O0013000059DEERE:ZZ:LX01+180817:1537+9203074++++DESADV_FOR'
 UNH+1+DESADV:D:07A:UN:GA0220'
 BGM+351:::JIT+2904000935+9'
 DTM+137:201808171234:203'
 DTM+11:201808171234:203'
 DTM+132:201808171234:203'
 RFF+CRN:87654321'
 RFF+AVU:1112223345'
 NAD+SE+0000xxxxxx::92++SUPPLIER NAME+STREET+CITY++ZIP CODE+DE'
 NAD+BY+LX01::92++JOHN DEERE GMBH & CO.KG+POSTFACH 10 17 17+MANNHEIM++68008+DE'
 NAD+FW++++FORWARDER'
 NAD+ST+LX01::92++JOHN DEERE GMBH & CO.KG+POSTFACH 10 17 17+MANNHEIM++68008+DE'
 LOC+11+UNLOADING POINT'
 RFF+ANK:999999999'
 TDT+12'
 CPS+1++3'
 PAC+1+:36+:92'
 QTY+189:2:PCE'
 PCI+17+++5J::5'
 GIN+ML+DE00005555987654300'
 GIN+AW+DE00005555987654321+DE00005555987654322'
 CPS+2++1'
 PAC+2+:36+SJ6::92'
 QTY+52:20:PCE'
 PCI+17+++1J::5'
 GIN+ML+DE00005555987654321'
 LIN+1++AL123456:IN'
 PIA+1+0000912345:NB'
 IMD+F+:::SCHRAUBE'
 QTY+12:40:PCE'
 ALI+DE'
 RFF+AAU:2904000935'
 RFF+COF:0000091234:0010'
 RFF+ON:0057456789:000010'
 LOC+11+RP1'
 LOC+159+RP1-001'
 CPS+3++1'
 PAC+2+:36+SJ6::92'
 QTY+52:25:PCE'
 PCI+17+++1J::5'
 GIN+ML+DE00005555987654322'
 LIN+2++AL654321:IN'
 PIA+1+0000952282:NB'
 IMD+F+:::BREMSLEITUNG'
 QTY+12:50:PCE'
 ALI+DE'
 RFF+AAU:2904000935'
 RFF+COF:0000099966:0010'
 RFF+ON:0057987654:000010'
 LOC+11+12K'
 LOC+159+582-U28'
 UNT+41+1'
 UNZ+1+9203074'

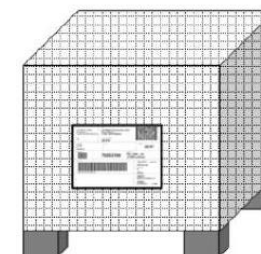
Example Message – DESADV_FOR (STANDARD)

UNA:+.? '
 UNB+UNOC:3+DE192452089:ZZ:0000xxxxxx+O0013000059DEERE:ZZ:LX01+180817:1537+9203074+++++DESADV_FOR'
 UNH+1+DESADV:D:07A:UN:GA0220'
 BGM+351:::FOR+2904000935+9'
 DTM+137:201808171234:203'
 DTM+11:201808171234:203'
 DTM+132:201808171234:203'
 RFF+CRN:87654321'
 NAD+SE+0000xxxxxx::92++SUPPLIER NAME+STREET+CITY++ZIP CODE+DE'
 NAD+BY+LX01::92++JOHN DEERE GMBH & CO.KG+POSTFACH 10 17 17+MANNHEIM++68008+DE'
 NAD+FW++++FORWARDER'
 NAD+ST+LX01::92++JOHN DEERE GMBH & CO.KG+POSTFACH 10 17 17+MANNHEIM++68008+DE'
 LOC+11+UNLOADING POINT'
 RFF+ANK:999999999'
 TDT+12'
 CPS+1++3'
 PAC+1+:36+:92'
 QTY+189:2:PCE'
 PCI+17+++5J::5'
 GIN+ML+DE000055555987654300'
 GIN+AW+DE000055555987654321+DE000055555987654322'
 CPS+2++1'
 PAC+2+:36+SJ6::92'
 QTY+52:20:PCE'
 PCI+17+++1J::5'
 GIN+ML+DE000055555987654321'
 LIN+1++AL123456:IN'
 IMD+F+:::SCHRAUBE'
 QTY+12:40:PCE'
 ALI+DE'
 RFF+AAU:2904000935'
 RFF+ON:0057456789:000010'
 CPS+3++1'
 PAC+2+:36+SJ6::92'
 QTY+52:25:PCE'
 PCI+17+++1J::5'
 GIN+ML+DE000055555987654322'
 LIN+2++AL654321:IN'
 IMD+F+:::BREMSLEITUNG'
 QTY+12:50:PCE'
 ALI+DE'
 RFF+AAU:2904000935'
 RFF+ON:0057987654:000010'
 UNT+41+1'
 UNZ+1+9203074'

Annex – packaging configurations

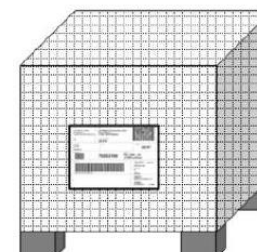
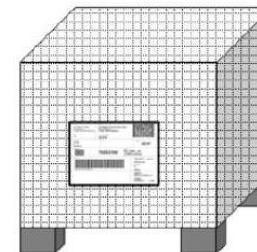
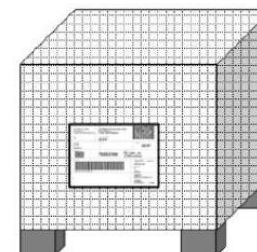
Please note that illustrations below are for demonstration purposes only and may not match EDI samples data exactly.

Single label One container, one part number, one packing list number	
CPS+1++4'	Simplified handling unit / no hierarchy
PAC+1+:36+SJ6::92'	Packaging code provided by JD (e.g. SJ6)
QTY+52:20:PCE'	Contained quantity 20 pieces
PCI+17+++1J::5'	Single label
GIN+ML+DE00005555987654400'	License plate number for single
LIN+1++AL123456:IN'	Line item identifier 1 and Part number
QTY+12:20:PCE'	Delivery quantity: 20 pieces
IMD+F++::SCHRAUBE'	Part Description
ALI+DE'	Country of origin DE (Germany)
RFF+AAU:1234567'	Delivery note/Packing list Nr. 1234567
RFF+ON:0057987654:00010'	(SA) Schedule Agreement nr. and SA line nr.



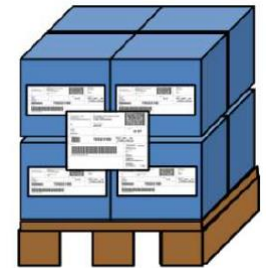
Please note that illustrations below are for demonstration purposes only and may not match EDI samples data exactly.

Single label multiple containers, same part number, one packing list number	
CPS+1++4'	Simplified handling unit / no hierarchy
PAC+3+.36+SJ6.:92'	Packaging code provided by JD (e.g. SJ6)
QTY+52:25:PCE'	Contained quantity 25 pieces
PCI+17+++1J.:5'	Single label
GIN+ML+DE00005555987654401+DE00005555987654402+DE00005555987654403'	License plate number for singlecontainers
LIN+1++AL123456:IN'	Line item identifier 1 and Part number
QTY+12:75:PCE'	Delivery quantity: 75 pieces
IMD+F+++SCHRAUBE'	Part Description
ALI+DE'	Country of origin DE (Germany)
RFF+AAU:1234567'	Delivery note/Packing list Nr. 1234567
RFF+ON:0057987654:00010'	(SA) Schedule Agreement nr. and SA line nr.



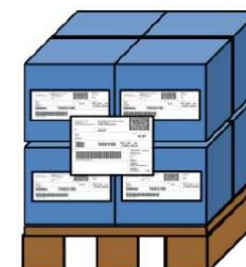
Please note that illustrations below are for demonstration purposes only and may not match EDI samples data exactly.

Master label HU with multiple containers, same part number, same packing list number, single label on each container	
CPS+1++3'	Outer packaging / handling unit
PAC+1+:36:~PJ6::92'	Packaging code provided by JD (e.g. PJ6)
QTY+189:7:PCE'	Contains 2 packaging units
PCI+17+++6J::5'	Master label
GIN+ML+DE000055555987654610'	License plate number for master
GIN+AW+DE000055555987654611+DE000055555987654612+DE000055555987654613+DE000055555987654614+DE000055555987654615'	5 License plate numbers for single
GIN+AW+DE000055555987654616+DE000055555987654617'	2 License plate numbers for single
CPS+2++1'	Inner packaging
PAC+7+:36+SJ6::92'	Packaging code provided by JD (e.g. SJ6)
QTY+52:5:PCE'	Contained quantity 5 pieces
PCI+17+++1J::5'	Single label
GIN+ML+DE000055555987654611+DE000055555987654612+DE000055555987654613+DE000055555987654614+DE000055555987654615'	5 License plate numbers for single
GIN+ML+DE000055555987654616+DE000055555987654617'	2 License plate numbers for single
LIN+1++R114193:IN'	Line item identifier 1 and Part nr.
QTY+12:35:PCE'	Delivery quantity 35 pieces
IMD+F+++SCHRAUBE'	Part Description
ALI+DE'	Country of origin DE (Germany)
RFF+AAU:1234590'	Delivery note/Packing list Nr 1234590
RFF+ON:0057987654:00010'	(SA) Schedule Agreement nr. and SA line nr.



Please note that illustrations below are for demonstration purposes only and may not match EDI samples data exactly.

Master label	
HU with multiple containers, same part number, different packing list numbers, single label on each container	
CPS+1++3'	Outer packaging / handling unit
PAC+1+:36:~PJ6::92'	Packaging code provided by JD (e.g. PJ6)
QTY+189:2:PCE'	Contains 2 packaging units
PCI+17+++6J::5'	Master label
GIN+ML+DE000055555987654600'	License plate number for master
GIN+AW+DE000055555987654601+DE000055555987654602'	License plate number for single
CPS+2++1'	Inner packaging
PAC+1+:36+SJ6::92'	Packaging code provided by JD (e.g. SJ6)
QTY+52:20:PCE'	Contained quantity 20 pieces
PCI+17+++1J::5'	Single label
GIN+ML+DE000055555987654601'	License plate number for single
LIN+1++AL123456:IN'	Line item identifier 1 and Part nr.
QTY+12:20:PCE'	Delivery quantity: 20 pieces
IMD+F+++SCHRAUBE'	Part Description
ALI+DE'	Country of origin DE (Germany)
RFF+AAU:1234567'	Delivery note/Packing list Nr 1234567
RFF+ON:0057987654:00010'	(SA) Schedule Agreement nr. and SA line nr.
CPS+3++1'	Inner packaging
PAC+1+:36+SJ6::92'	Packaging code provided by JD (e.g. SJ6)
QTY+52:20:PCE'	Contained quantity 20 pieces
PCI+17+++1J::5'	Single label
GIN+ML+DE000055555987654602'	License plate number for single
LIN+2++AL123456:IN'	Line item identifier 2 and Part number
QTY+12:20:PCE'	Delivery quantity: 20 pieces
IMD+F+++SCHRAUBE'	Part Description
ALI+DE'	Country of origin DE (Germany)
RFF+AAU:1234568'	Delivery note/Packing list Nr 1234568
RFF+ON:0057987654:00010'	(SA) Schedule Agreement nr. and SA line nr.



Please note that illustrations below are for demonstration purposes only and may not match EDI samples data exactly.

Mixed label HU with multiple containers, different part numbers, same packing list number, single label on each container	
CPS+1++3'	Outer packaging / handling unit
PAC+1+:36:+PJ6::92'	Packaging code provided by JD (e.g. PJ6)
QTY+189:7:PCE'	Contains 7 packaging units
PCI+17+++5J::5'	Mixed label
GIN+ML+DE000055555987654510'	License plate number for mix
GIN+AW+DE000055555987654511+DE000055555987654512+ DE000055555987654513+ DE000055555987654514+DE000055555987654515'	5 License plate numbers for single
GIN+AW+DE000055555987654516+DE000055555987654517'	2 License plate numbers for single
CPS+2++1'	Inner packaging
PAC+5+:36+SJ6::92'	Packaging code provided by JD (e.g. SJ6)
QTY+52:20:PCE'	Contained quantity 20 pieces
PCI+17+++1J::5'	Single label
GIN+ML+DE000055555987654511+DE000055555987654512+ DE000055555987654513+ DE000055555987654514+DE000055555987654515'	5 License plate numbers for single
LIN+1++AL123456:IN'	Line item identifier 1 and Part nr.
QTY+12:100:PCE'	Delivery quantity: 100 pieces
IMD+F++::SCHRAUBE'	Part Description
ALI+DE'	Country of origin DE (Germany)
RFF+AAU:1234599'	Delivery note/Packing list Nr 1234599
RFF+ON:0057987654:00010'	(SA) Schedule Agreement nr. and SA line nr.
CPS+3++1'	Inner packaging
PAC+2+:36+KC2::92'	Packaging code provided by JD (e.g. KC2)
QTY+52:25:PCE'	Contained quantity 25 pieces
PCI+17+++1J::5'	Single label
GIN+AW+DE000055555987654516+DE000055555987654517'	License plate number for single
LIN+2++L209716:IN'	Line item identifier 2 and Part number
QTY+12:50:PCE'	Delivery quantity: 50 pieces
IMD+F++::SCHRAUBE'	Part Description
ALI+DE'	Country of origin DE (Germany)
RFF+AAU:1234599'	Delivery note/Packing list Nr 1234599
RFF+ON:0057277302:00010'	(SA) Schedule Agreement nr. and SA line nr.



Please note that illustrations below are for demonstration purposes only and may not match EDI samples data exactly.

Mixed label HU (handling unit) with multiple containers, different part numbers, different packing list numbers, single label on each container	
CPS+1++3'	Outer packaging / handling unit
PAC+1+36:PJ6:92'	Packaging code provided by JD (e.g. PJ6)
QTY+189:2:PCE'	Contains 2 packaging units
PCI+17+++5J::5'	Mixed label
GIN+ML+DE000055555987654500'	License plate number for mix
GIN+AW+DE000055555987654501+DE000055555987654502'	License plate number for single
CPS+2++1'	Inner packaging
PAC+1+36+SJ6:92'	Packaging code provided by JD (e.g. SJ6)
QTY+52:20:PCE'	Contained quantity 20 pieces
PCI+17+++1J::5'	Single label
GIN+ML+DE000055555987654501'	License plate number for single
LIN+1++AL123456:IN'	Line item identifier 1 and Part nr.
QTY+12:20:PCE'	Delivery quantity: 20 pieces
IMD+F++::SCHRAUBE'	Part Description
ALI+DE'	Country of origin DE (Germany)
RFF+AAU:1234568'	Delivery note/Packing list Nr 1234568
RFF+ON:0057987654:00010'	(SA) Schedule Agreement nr. and SA line nr.
CPS+3++1'	Inner packaging
PAC+1+36+KC2:92'	Packaging code provided by JD (e.g. KC2)
QTY+52:25:PCE'	Contained quantity 25 pieces
PCI+17+++1J::5'	Single label
GIN+ML+DE000055555987654502'	License plate number for single
LIN+2++L209716:IN'	Line item identifier 2 and Part number
QTY+12:25:PCE'	Delivery quantity: 25 pieces
IMD+F++::SCHRAUBE'	Part Description
ALI+DE'	Country of origin DE (Germany)
RFF+AAU:1234569'	Delivery note/Packing list Nr 1234569
RFF+ON:0057277302:00010'	(SA) Schedule Agreement nr. and SA line nr.

