



JOHN DEERE

Message Implementation Guideline
EDIFACT IFTMAN

based on

IFTMAN_D03_Guide

Arrival notice messages

UN D.03A S3

Message Structure

Branching Diagram

Segments

Example

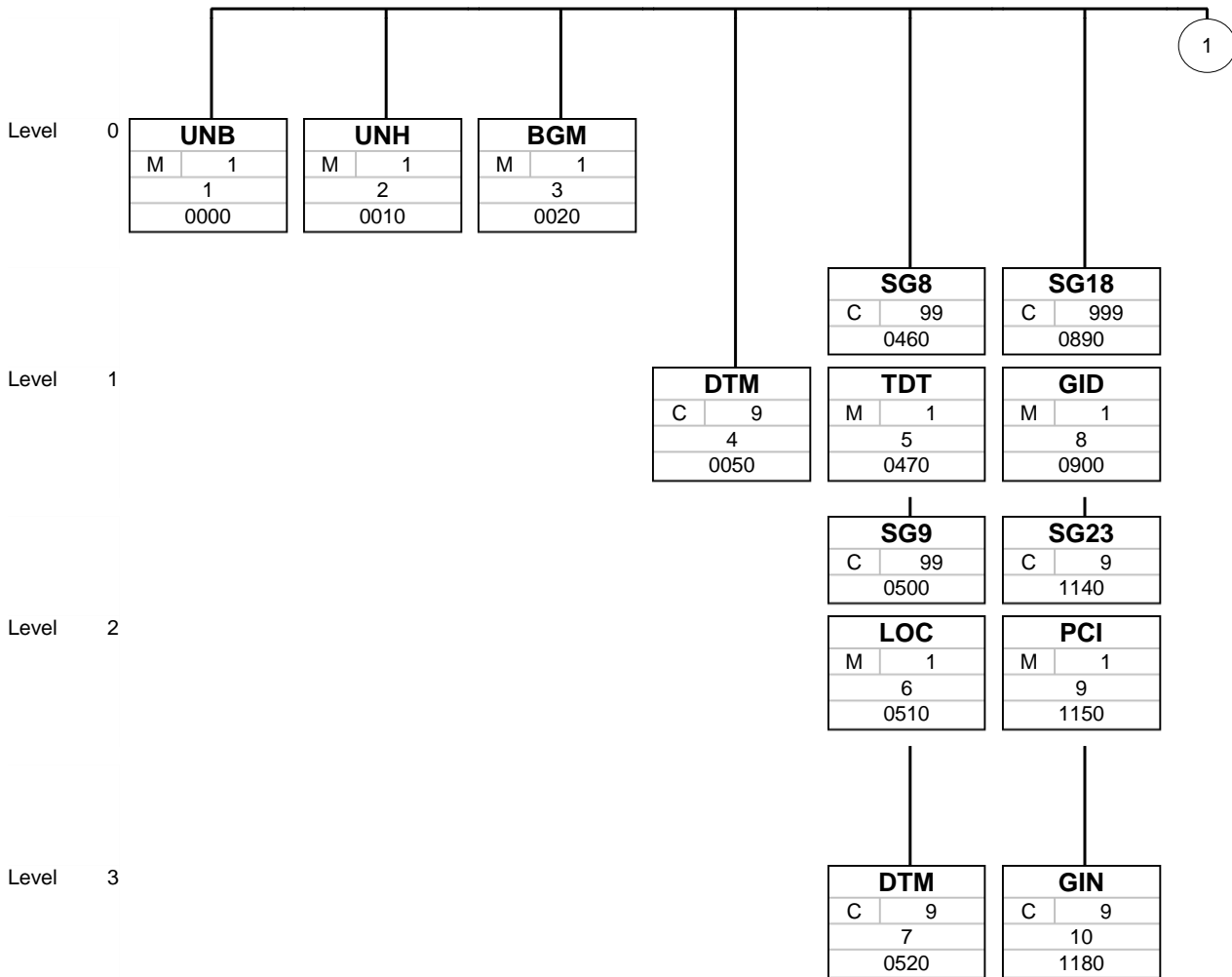
Counter	No	Tag	St	MaxOccLevel	Content		
	0000	1	UNB	M	1	0	Interchange header
	0010	2	UNH	M	1	0	Message header
	0020	3	BGM	M	1	0	Beginning of message
	0050	4	DTM	C	9	1	Date/time/period
	0460		SG8	C	99	1	TDT-SG9
	0470	5	TDT	M	1	1	Transport information
	0500		SG9	C	99	2	LOC-DTM
	0510	6	LOC	M	1	2	Place/location identification
	0520	7	DTM	C	9	3	Date/time/period
	0890		SG18	C	999	1	GID-SG23
	0900	8	GID	M	1	1	Goods item details
	1140		SG23	C	9	2	PCI-GIN
	1150	9	PCI	M	1	2	Package identification
	1180	10	GIN	C	9	3	Goods identity number
	1880	11	UNT	M	1	0	Message trailer
	0000	12	UNZ	M	1	0	Interchange trailer

No = Consecutive segment number
 MaxOcc = Maximum occurrence of the segment/group
 Counter = Counter of segment/group within the standard

St = Status (M=Mandatory, R=Required, C=Conditional,
 O=Optional, F=Floating, D=Dependent, A=Advised,
 S=Situational, X=Not used, N=Not recommended)

Branching Diagram

Guide IFTMAN_D03; UN D.03A S3

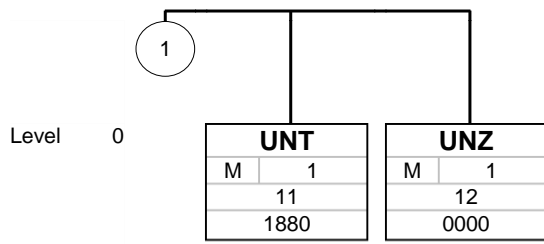


No = Consecutive segment number
 MaxOcc = Maximum occurrence of the segment/group
 Counter = Counter of segment/group within the standard

St = Status (M=Mandatory, R=Required, C=Conditional, O=Optional, F=Floating, D=Dependent, A=Advised, S=Situational, X=Not used, N=Not recommended)

Branching Diagram

Guide IFTMAN_D03; UN D.03A S3



No = Consecutive segment number
 MaxOcc = Maximum occurrence of the segment/group
 Counter = Counter of segment/group within the standard

St = Status (M=Mandatory, R=Required, C=Conditional,
 O=Optional, F=Floating, D=Dependent, A=Advised,
 S=Situational, X=Not used, N=Not recommended)



Counter	No	Tag	St	MaxOcc	Level	Name
---------	----	-----	----	--------	-------	------

0000 1 **UNB** M 1 0 Interchange header

		Standard	Implementation	
Tag	Name	St Format	St Format	Usage / Remark
UNB				
S001	Syntax identifier	M	M	
0001	Syntax identifier	M a4	M a4	UNOA UN/ECE level A
0002	Syntax version number	M n1	M n1	1 Version 1
S002	Interchange sender	M	M	
0004	Sender identification	M an..35	M an..35	
0007	Partner identification code qualifier	C an..4	C an..4	ZZ
0008	Address for reverse routing	C an..14	N	Not used
S003	Interchange recipient	M	M	
0010	Recipient identification	M an..35	M an..35	
0007	Partner identification code qualifier	C an..4	C an..4	ZZ
0014	Routing address	C an..14	C an..14	
S004	Date/time of preparation	M	M	
0017	Date of preparation	M n6	M n6	
0019	Time of preparation	M n4	M n4	
0020	Interchange control reference	M an..14	M an..14	
S005	Recipient's reference, password	C	N	
0022	Recipient's reference/password	M an..14	N	Not used
0025	Recipient's reference/password qualifier	C an2	N	Not used
0026	Application reference	C an..14	C an..14	
0029	Processing priority code	C a1	N	Not used
0031	Acknowledgement request	C n1	N	Not used
0032	Communications agreement ID	C an..35	N	Not used
0035	Test indicator	C n1	C n1	1 Interchange is a test

Remark:

Example:

UNB+UNOA:1+WWL-LLP:ZZ+O0013000059DEERE:ZZ:JDMANMANLLP+140815:0158+436762++IFTMAN+++1'

No = Consecutive segment number
 MaxOcc = Maximum occurrence of the segment/group
 Counter = Counter of segment/group within the standard

St = Status (M=Mandatory, R=Required, C=Conditional,
 O=Optional, F=Floating, D=Dependent, A=Advised,
 S=Situational, X=Not used, N=Not recommended)

Counter	No	Tag	St	MaxOcc	Level	Name
0010	2	UNH	M	1	0	Message header

		Standard	Implementation		
Tag	Name	St Format	St Format	Usage / Remark	
UNH					
0062	Message reference number	M an..14	M an..14		
S009	Message identifier	M	M		
0065	Message type	M an..6	M an..6	IFTMAN Arrival notice message	
0052	Message version number	M an..3	M an..3	D Draft version/UN/EDIFACT Directory	
0054	Message release number	M an..3	M an..3	03B	
0051	Controlling agency	M an..2	M an..2	UN UN/CEFACT	
0057	Association assigned code	C an..6	N	Not used	
0068	Common access reference	C an..35	N	Not used	
S010	Status of the transfer	C	N		
0070	Sequence of transfers	M n..2	N	Not used	
0073	First and last transfer	C a1	N	Not used	

Remark:

Example:

UNH+4906+IFTMAN:D:03B:UN'

No = Consecutive segment number
 MaxOcc = Maximum occurrence of the segment/group
 Counter = Counter of segment/group within the standard

St = Status (M=Mandatory, R=Required, C=Conditional, O=Optional, F=Floating, D=Dependent, A=Advised, S=Situational, X=Not used, N=Not recommended)

Counter	No	Tag	St	MaxOcc	Level	Name
0020	3	BGM	M	1	0	Beginning of message

		Standard	Implementation	
Tag	Name	St Format	St Format	Usage / Remark
BGM				
C002	Document/message name	C	C	
1001	Document name code	C an..3	C an..3	307 Sequenced delivery schedule
1131	Code list identification code	C an..17	N	Not used
3055	Code list responsible agency code	C an..3	N	Not used
1000	Document name	C an..35	N	Not used
C106	Document/message identification	C	C	
1004	Document identifier	C an..35	C an..35	
1056	Version identifier	C an..9	N	Not used
1060	Revision identifier	C an..6	N	Not used
1225	Message function code	C an..3	C an..3	62 Update schedule
4343	Response type code	C an..3	N	Not used

Remark:

Example:

BGM+307+1408048073596+62'

No = Consecutive segment number
 MaxOcc = Maximum occurrence of the segment/group
 Counter = Counter of segment/group within the standard

St = Status (M=Mandatory, R=Required, C=Conditional, O=Optional, F=Floating, D=Dependent, A=Advised, S=Situational, X=Not used, N=Not recommended)

Counter	No	Tag	St	MaxOcc	Level	Name
0050	4	DTM	C	9	1	Date/time/period

			Standard	Implementation	
Tag	Name	St	Format	St	Format / Usage / Remark
DTM					
C507	Date/time/period	M	M	M	
2005	Date or time or period function code qualifier	M	an..3	M	an..3 137 Document/message date/time
2380	Date or time or period text	C	an..35	C	an..35
2379	Date or time or period format code	C	an..3	C	an..3 204 CCYYMMDDHHMMSS

Remark:
Example:

DTM+137:20140814222753:204'

Counter	No	Tag	St	MaxOcc	Level	Name
0460		SG8	C	99	1	TDT-SG9
0470	5	TDT	M	1	1	Transport information

Standard			Implementation	
Tag	Name	St Format	St Format	Usage / Remark
TDT				
8051	Transport stage code qualifier	M an..3	M an..3	20 Main-carriage transport
8028	Means of transport journey identifier	C an..17	C an..17	
C220	Mode of transport	C	C	
8067	Transport mode name code	C an..3	C an..3	10 Maritime transport
8066	Transport mode name	C an..17	N	Not used
C001	Transport means	C	N	
8179	Transport means description code	C an..8	N	Not used
1131	Code list identification code	C an..17	N	Not used
3055	Code list responsible agency code	C an..3	N	Not used
8178	Transport means description	C an..17	N	Not used
C040	Carrier	C	N	
3127	Carrier identifier	C an..17	N	Not used
1131	Code list identification code	C an..17	N	Not used
3055	Code list responsible agency code	C an..3	N	Not used
3128	Carrier name	C an..35	N	Not used
8101	Transit direction indicator code	C an..3	N	Not used
C401	Excess transportation information	C	N	
8457	Excess transportation reason code	M an..3	N	Not used
8459	Excess transportation responsibility code	M an..3	N	Not used
7130	Customer shipment authorisation identifier	C an..17	N	Not used
C222	Transport identification	C	C	
8213	Transport means identification name identifier	C an..9	N	Not used
1131	Code list identification code	C an..17	N	Not used
3055	Code list responsible agency code	C an..3	N	Not used
8212	Transport means identification name	C an..35	C an..35	
8453	Transport means nationality code	C an..3	N	Not used
8281	Transport means ownership indicator code	C an..3	N	Not used

Remark:

Example:

TDT+20+CA432+10+++++:::DON JUAN'

No = Consecutive segment number
 MaxOcc = Maximum occurrence of the segment/group
 Counter = Counter of segment/group within the standard

St = Status (M=Mandatory, R=Required, C=Conditional, O=Optional, F=Floating, D=Dependent, A=Advised, S=Situational, X=Not used, N=Not recommended)

Counter	No	Tag	St	MaxOcc	Level	Name
0500		SG9	C	99	2	LOC-DTM
0510	6	LOC	M	1	2	Place/location identification

Standard			Implementation	
Tag	Name	St Format	St Format	Usage / Remark
LOC				
3227	Location function code qualifier	M an..3	M an..3	9 Place/port of loading 11 Place/port of discharge
C517	Location identification	C	C	
3225	Location name code	C an..35	C an..35	
1131	Code list identification code	C an..17	N	Not used
3055	Code list responsible agency code	C an..3	N	Not used
3224	Location name	C an..256	C an..256	
C519	Related location one identification	C	N	
3223	First related location name code	C an..25	N	Not used
1131	Code list identification code	C an..17	N	Not used
3055	Code list responsible agency code	C an..3	N	Not used
3222	First related location name	C an..70	N	Not used
C553	Related location two identification	C	N	
3233	Second related location name code	C an..25	N	Not used
1131	Code list identification code	C an..17	N	Not used
3055	Code list responsible agency code	C an..3	N	Not used
3232	Second related location name	C an..70	N	Not used
5479	Relation code	C an..3	N	Not used

Remark:

Example:

LOC+9+BEZEE:::ZEEBRUGGE'

No = Consecutive segment number
 MaxOcc = Maximum occurrence of the segment/group
 Counter = Counter of segment/group within the standard

St = Status (M=Mandatory, R=Required, C=Conditional, O=Optional, F=Floating, D=Dependent, A=Advised, S=Situational, X=Not used, N=Not recommended)

Counter	No	Tag	St	MaxOcc	Level	Name
0500		SG9	C	99	2	LOC-DTM
0520	7	DTM	C	9	3	Date/time/period

Standard			Implementation	
Tag	Name	St Format	St Format	Usage / Remark
DTM				
C507	Date/time/period	M	M	
2005	Date or time or period function code qualifier	M an..3	M an..3	189 Transport means departure date/time, scheduled 232 Transport means arrival date/time, scheduled
2380	Date or time or period text	C an..35	C an..35	
2379	Date or time or period format code	C an..3	C an..3	203 CCYYMMDDHHMM 203 CCYYMMDDHHMM

Remark:

Example:

DTM+189:201408081605:203'

No = Consecutive segment number
 MaxOcc = Maximum occurrence of the segment/group
 Counter = Counter of segment/group within the standard

St = Status (M=Mandatory, R=Required, C=Conditional, O=Optional, F=Floating, D=Dependent, A=Advised, S=Situational, X=Not used, N=Not recommended)

Counter	No	Tag	St	MaxOcc	Level	Name
0890		SG18	C	999	1	GID-SG23
0900	8	GID	M	1	1	Goods item details

Standard			Implementation	
Tag	Name	St Format	St Format	Usage / Remark
GID				
1496	Goods item number	C n..5	C n..5	
C213	Number and type of packages	C	N	
7224	Package quantity	C n..8	N	Not used
7065	Package type description code	C an..17	N	Not used
1131	Code list identification code	C an..17	N	Not used
3055	Code list responsible agency code	C an..3	N	Not used
7064	Type of packages	C an..35	N	Not used
7233	Packaging related description code	C an..3	N	Not used
C213	Number and type of packages	C	N	
7224	Package quantity	C n..8	N	Not used
7065	Package type description code	C an..17	N	Not used
1131	Code list identification code	C an..17	N	Not used
3055	Code list responsible agency code	C an..3	N	Not used
7064	Type of packages	C an..35	N	Not used
7233	Packaging related description code	C an..3	N	Not used
C213	Number and type of packages	C	N	
7224	Package quantity	C n..8	N	Not used
7065	Package type description code	C an..17	N	Not used
1131	Code list identification code	C an..17	N	Not used
3055	Code list responsible agency code	C an..3	N	Not used
7064	Type of packages	C an..35	N	Not used
7233	Packaging related description code	C an..3	N	Not used
C213	Number and type of packages	C	N	
7224	Package quantity	C n..8	N	Not used
7065	Package type description code	C an..17	N	Not used
1131	Code list identification code	C an..17	N	Not used
3055	Code list responsible agency code	C an..3	N	Not used
7064	Type of packages	C an..35	N	Not used
7233	Packaging related description code	C an..3	N	Not used
C213	Number and type of packages	C	N	
7224	Package quantity	C n..8	N	Not used
7065	Package type description code	C an..17	N	Not used
1131	Code list identification code	C an..17	N	Not used
3055	Code list responsible agency code	C an..3	N	Not used
7064	Type of packages	C an..35	N	Not used
7233	Packaging related description code	C an..3	N	Not used

Remark:

No = Consecutive segment number
 MaxOcc = Maximum occurrence of the segment/group
 Counter = Counter of segment/group within the standard

St = Status (M=Mandatory, R=Required, C=Conditional, O=Optional, F=Floating, D=Dependent, A=Advised, S=Situational, X=Not used, N=Not recommended)



Example:
GID+1'

No = Consecutive segment number
MaxOcc = Maximum occurrence of the segment/group
Counter = Counter of segment/group within the standard

St = Status (M=Mandatory, R=Required, C=Conditional,
O=Optional, F=Floating, D=Dependent, A=Advised,
S=Situational, X=Not used, N=Not recommended)

Counter	No	Tag	St	MaxOcc	Level	Name
1140		SG23	C	9	2	PCI-GIN
1150	9	PCI	M	1	2	Package identification

Standard			Implementation	
Tag	Name	St Format	St Format	Usage / Remark
PCI				
4233	Marking instructions code	C an..3	C an..3	ZZZ Mutually defined ZZZ Mutually defined
C210	Marks & labels	C	N	
7102	Shipping marks description	M an..35	N	Not used
7102	Shipping marks description	C an..35	N	Not used
7102	Shipping marks description	C an..35	N	Not used
7102	Shipping marks description	C an..35	N	Not used
7102	Shipping marks description	C an..35	N	Not used
7102	Shipping marks description	C an..35	N	Not used
7102	Shipping marks description	C an..35	N	Not used
7102	Shipping marks description	C an..35	N	Not used
7102	Shipping marks description	C an..35	N	Not used
7102	Shipping marks description	C an..35	N	Not used
8275	Container or package contents indicator code	C an..3	N	Not used
C827	Type of marking	C	N	
7511	Marking type code	M an..3	N	Not used
1131	Code list identification code	C an..17	N	Not used
3055	Code list responsible agency code	C an..3	N	Not used

Remark:

Example:
PCI+ZZZ'

No = Consecutive segment number
 MaxOcc = Maximum occurrence of the segment/group
 Counter = Counter of segment/group within the standard

St = Status (M=Mandatory, R=Required, C=Conditional, O=Optional, F=Floating, D=Dependent, A=Advised, S=Situational, X=Not used, N=Not recommended)

Counter	No	Tag	St	MaxOcc	Level	Name
1140		SG23	C	9	2	PCI-GIN
1180	10	GIN	C	9	3	Goods identity number

		Standard	Implementation		
Tag	Name	St Format	St Format	Usage / Remark	
GIN					
7405	Object identification code qualifier	M an..3	M an..3	CN Chassis number	
				CN Chassis number	
C208	Identity number range	M	M		
7402	Object identifier	M an..35	M an..35		
7402	Object identifier	C an..35	C an..35		
C208	Identity number range	C	N		
7402	Object identifier	M an..35	N	Not used	
7402	Object identifier	C an..35	N	Not used	
C208	Identity number range	C	N		
7402	Object identifier	M an..35	N	Not used	
7402	Object identifier	C an..35	N	Not used	
C208	Identity number range	C	N		
7402	Object identifier	M an..35	N	Not used	
7402	Object identifier	C an..35	N	Not used	
C208	Identity number range	C	N		
7402	Object identifier	M an..35	N	Not used	
7402	Object identifier	C an..35	N	Not used	

Remark:
Example:

GIN+CN+01178387:1L06150MCEH806687'



Counter	No	Tag	St	MaxOcc	Level	Name
1880	11	UNT	M	1	0	Message trailer

Standard			Implementation	
Tag	Name	St Format	St Format	Usage / Remark
UNT				
0074	Number of segments in the message	M n..6	M n..6	
0062	Message reference number	M an..14	M an..14	

Remark:

Example:

UNT+15+4906'

No = Consecutive segment number
 MaxOcc = Maximum occurrence of the segment/group
 Counter = Counter of segment/group within the standard

St = Status (M=Mandatory, R=Required, C=Conditional, O=Optional, F=Floating, D=Dependent, A=Advised, S=Situational, X=Not used, N=Not recommended)

Counter	No	Tag	St	MaxOcc	Level	Name
0000	12	UNZ	M	1	0	Interchange trailer

Standard			Implementation	
Tag	Name	St Format	St Format	Usage / Remark
UNZ				
0036	Interchange control count	M n..6	M n..6	
0020	Interchange control reference	M an..14	M an..14	

Remark:

Example:

UNZ+1+436762'

No = Consecutive segment number
 MaxOcc = Maximum occurrence of the segment/group
 Counter = Counter of segment/group within the standard

St = Status (M=Mandatory, R=Required, C=Conditional, O=Optional, F=Floating, D=Dependent, A=Advised, S=Situational, X=Not used, N=Not recommended)

Example Message

UNB+UNOA:1+WWL-LLP:ZZ+O0013000059DEERE:ZZ:JDMANMANLLP+140815:0158+436
762++IFTMAN++++1'

UNH+4906+IFTMAN:D:03B:UN'

BGM+307+1408048073596+62'

DTM+137:20140814222753:204'

TDT+20+CA432+10+++++:::DON JUAN'

LOC+9+BEZEE:::ZEEBRUGGE'

DTM+189:201408081605:203'

LOC+11+USSSI:::BRUNSWICK'

DTM+232:201408242000:203'

GID+1'

PCI+ZZZ'

GIN+CN+01178387:1L06150MCEH806687'

GID+1'

PCI+ZZZ'

GIN+CN+01199046:1L06125REEH806559'

UNT+15+4906'

UNZ+1+436762'