



JOHN DEERE

Message Implementation Guideline
EDIFACT IFTMIN

based on

IFTMIN_D03B_Guide

Instruction Message

UN D.03B S3

Message Structure

Branching Diagram

Segments

Example

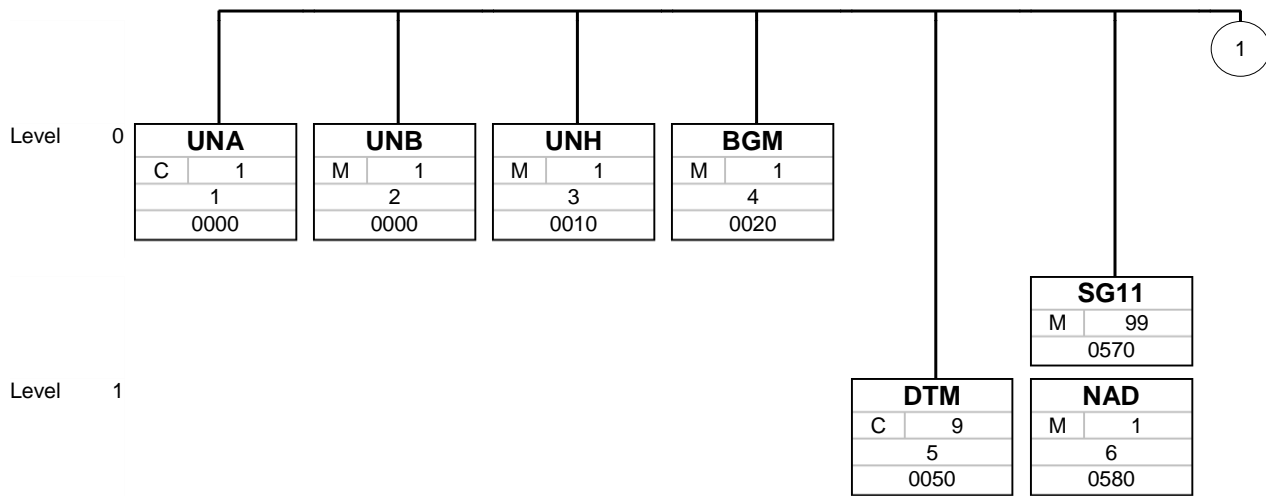
Counter	No	Tag	St	MaxOcc	Level	Content
0000	1	UNA	C	1	0	Service string advice
0000	2	UNB	M	1	0	Interchange header
0010	3	UNH	M	1	0	Message header
0020	4	BGM	M	1	0	Beginning of message
0050	5	DTM	C	9	1	Date/time/period
0570		SG11	M	99	1	NAD
0580	6	NAD	M	1	1	Name and address
0900		SG18	C	999	1	GID-PIA-SG19-SG20-SG23
0910	7	GID	M	1	1	Goods item details
0980	8	PIA	C	9	2	Additional product id
1010		SG19	C	9	2	NAD
1020	9	NAD	M	1	2	Name and address
1060		SG20	C	99	2	MEA
1070	10	MEA	M	1	2	Measurements
1150		SG23	C	999	2	PCI-GIN
1160	11	PCI	M	1	2	Package identification
1190	12	GIN	C	10	3	Goods identity number
2000	13	UNT	M	1	0	Message trailer
0000	14	UNZ	M	1	0	Interchange trailer

No = Consecutive segment number
 MaxOcc = Maximum occurrence of the segment/group
 Counter = Counter of segment/group within the standard

St = Status (M=Mandatory, R=Required, C=Conditional,
 O=Optional, F=Floating, D=Dependent, A=Advised,
 S=Situational, X=Not used, N=Not recommended)

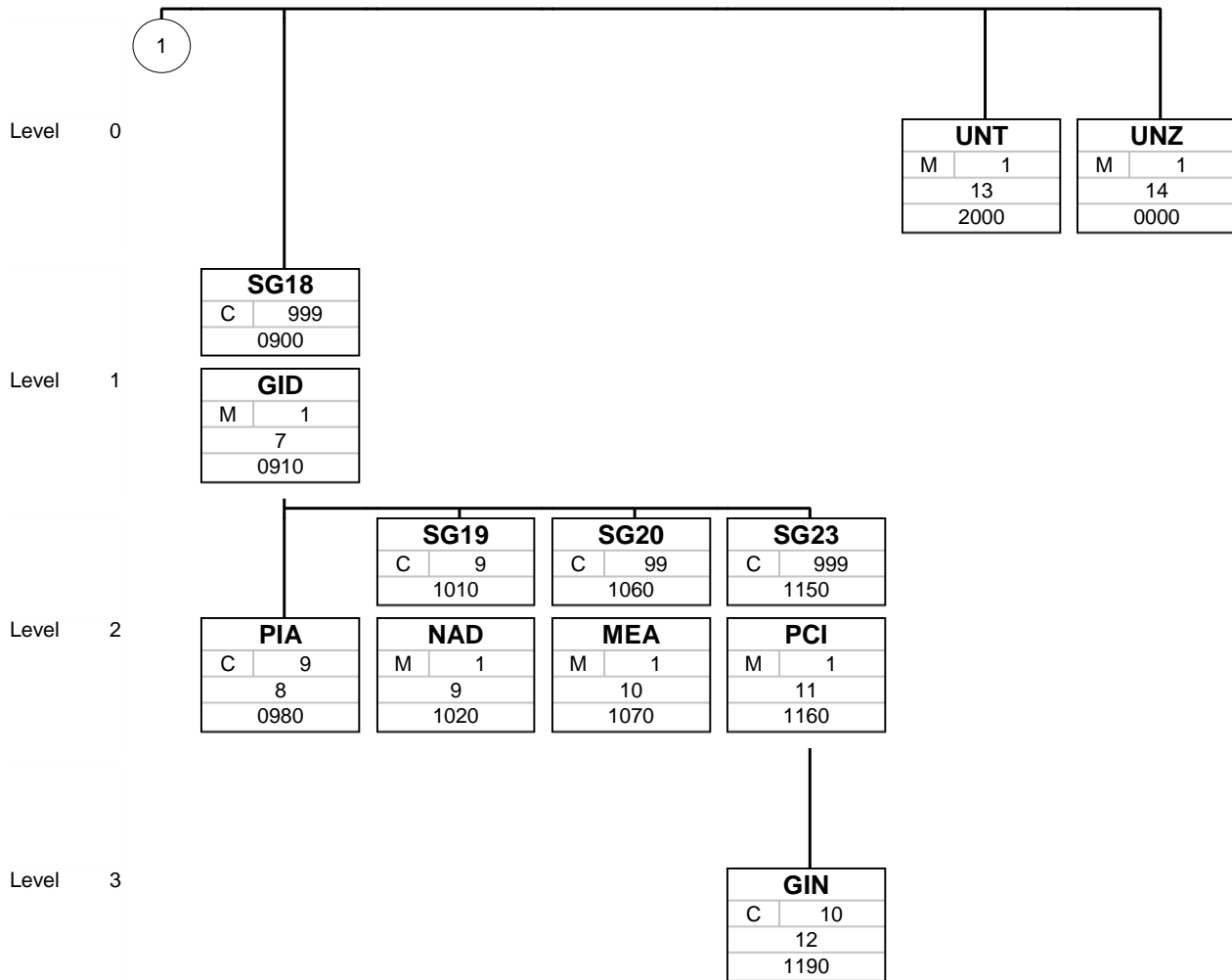
Branching Diagram

Guide IFTMIN_D03; UN D.03B S3



No = Consecutive segment number
 MaxOcc = Maximum occurrence of the segment/group
 Counter = Counter of segment/group within the standard

St = Status (M=Mandatory, R=Required, C=Conditional,
 O=Optional, F=Floating, D=Dependent, A=Advised,
 S=Situational, X=Not used, N=Not recommended)



No = Consecutive segment number
 MaxOcc = Maximum occurrence of the segment/group
 Counter = Counter of segment/group within the standard

St = Status (M=Mandatory, R=Required, C=Conditional, O=Optional, F=Floating, D=Dependent, A=Advised, S=Situational, X=Not used, N=Not recommended)

Counter	No	Tag	St	MaxOcc	Level	Name
0000	1	UNA	C	1	0	Service string advice

		Standard	Implementation	
Tag	Name	St Format	St Format	Usage / Remark
UNA				
UNA1	Component data element separator	M an1	M an1	
UNA2	Data element separator	M an1	M an1	
UNA3	Decimal notation	M an1	M an1	
UNA4	Release indicator	M an1	M an1	
UNA5	Reserved for future use	M an1	M an1	
UNA6	Segment terminator	M an1	M an1	

Remark:

Example:

UNA:+.? '



Counter	No	Tag	St	MaxOcc	Level	Name
---------	----	-----	----	--------	-------	------

0000 2 **UNB** M 1 0 Interchange header

		Standard	Implementation	
Tag	Name	St Format	St Format	Usage / Remark
UNB				
S001	Syntax identifier	M	M	
0001	Syntax identifier	M a4	M a4	UNOA UN/ECE level A
0002	Syntax version number	M n1	M n1	1 Version 1
S002	Interchange sender	M	M	
0004	Sender identification	M an..35	M an..35	
0007	Partner identification code qualifier	C an..4	C an..4	ZZ
0008	Address for reverse routing	C an..14	N	Not used
S003	Interchange recipient	M	M	
0010	Recipient identification	M an..35	M an..35	
0007	Partner identification code qualifier	C an..4	C an..4	ZZ
0014	Routing address	C an..14	N	Not used
S004	Date/time of preparation	M	M	
0017	Date of preparation	M n6	M n6	
0019	Time of preparation	M n4	M n4	
0020	Interchange control reference	M an..14	M an..14	
S005	Recipient's reference, password	C	N	
0022	Recipient's reference/password	M an..14	N	Not used
0025	Recipient's reference/password qualifier	C an2	N	Not used
0026	Application reference	C an..14	C an..14	
0029	Processing priority code	C a1	N	Not used
0031	Acknowledgement request	C n1	N	Not used
0032	Communications agreement ID	C an..35	N	Not used
0035	Test indicator	C n1	N	Not used

Remark:

Example:

UNB+UNOA:1+00013000059DEERE:ZZ+WWL-LLP:ZZ+140808:1131+772++IFTMIN'

No = Consecutive segment number
 MaxOcc = Maximum occurrence of the segment/group
 Counter = Counter of segment/group within the standard

St = Status (M=Mandatory, R=Required, C=Conditional,
 O=Optional, F=Floating, D=Dependent, A=Advised,
 S=Situational, X=Not used, N=Not recommended)

Counter	No	Tag	St	MaxOcc	Level	Name
0010	3	UNH	M	1	0	Message header

		Standard	Implementation		
Tag	Name	St Format	St Format	Usage / Remark	
UNH					
0062	Message reference number	M an..14	M an..14		
S009	Message identifier	M	M		
0065	Message type	M an..6	M an..6	IFTMIN Instruction message	
0052	Message version number	M an..3	M an..3	D Draft version/UN/EDIFACT Directory	
0054	Message release number	M an..3	M an..3	03B Release 2003 - B	
0051	Controlling agency	M an..2	M an..2	UN UN/CEFACT	
0057	Association assigned code	C an..6	N	Not used	
0068	Common access reference	C an..35	N	Not used	
S010	Status of the transfer	C	N		
0070	Sequence of transfers	M n..2	N	Not used	
0073	First and last transfer	C a1	N	Not used	

Remark:

Example:

UNH+1+IFTMIN:D:03B:UN'

No = Consecutive segment number
 MaxOcc = Maximum occurrence of the segment/group
 Counter = Counter of segment/group within the standard

St = Status (M=Mandatory, R=Required, C=Conditional,
 O=Optional, F=Floating, D=Dependent, A=Advised,
 S=Situational, X=Not used, N=Not recommended)



Counter	No	Tag	St	MaxOcc	Level	Name
0020	4	BGM	M	1	0	Beginning of message

		Standard	Implementation	
Tag	Name	St Format	St Format	Usage / Remark
BGM				
C002	Document/message name	C	C	
1001	Document name code	C an..3	C an..3	173 Authorisation to plan and ship orders
1131	Code list identification code	C an..17	N	Not used
3055	Code list responsible agency code	C an..3	N	Not used
1000	Document name	C an..35	N	Not used
C106	Document/message identification	C	C	
1004	Document identifier	C an..35	C an..35	
1056	Version identifier	C an..9	N	Not used
1060	Revision identifier	C an..6	N	Not used
1225	Message function code	C an..3	C an..3	1 Cancellation
4343	Response type code	C an..3	N	Not used

Remark:

Example:

BGM+173+140808+1'

No = Consecutive segment number
 MaxOcc = Maximum occurrence of the segment/group
 Counter = Counter of segment/group within the standard

St = Status (M=Mandatory, R=Required, C=Conditional, O=Optional, F=Floating, D=Dependent, A=Advised, S=Situational, X=Not used, N=Not recommended)



Counter	No	Tag	St	MaxOcc	Level	Name
---------	----	-----	----	--------	-------	------

0050	5	DTM	C	9	1	Date/time/period
------	---	------------	---	---	---	------------------

			Standard	Implementation	
Tag	Name	St Format	St Format	Usage / Remark	
DTM					
C507	Date/time/period	M	M		
2005	Date or time or period function code qualifier	M an..3	M an..3	137 Document/message date/time	
2380	Date or time or period text	C an..35	C an..35		
2379	Date or time or period format code	C an..3	C an..3	204 CCYYMMDDHHMMSS	

Remark:

Example:

DTM+137:20140808043127:204'

Counter	No	Tag	St	MaxOcc	Level	Name
0570		SG11	M	99	1	NAD
0580	6	NAD	M	1	1	Name and address

Standard			Implementation	
Tag	Name	St Format	St Format	Usage / Remark
NAD				
3035	Party function code qualifier	M an..3	M an..3	SK Plant
C082	Party identification details	C	C	
3039	Party identifier	M an..35	M an..35	
1131	Code list identification code	C an..17	N	Not used
3055	Code list responsible agency code	C an..3	N	Not used
C058	Name and address	C	N	
3124	Name and address description	M an..35	N	Not used
3124	Name and address description	C an..35	N	Not used
3124	Name and address description	C an..35	N	Not used
3124	Name and address description	C an..35	N	Not used
3124	Name and address description	C an..35	N	Not used
C080	Party name	C	N	
3036	Party name	M an..35	N	Not used
3036	Party name	C an..35	N	Not used
3036	Party name	C an..35	N	Not used
3036	Party name	C an..35	N	Not used
3036	Party name	C an..35	N	Not used
3045	Party name format code	C an..3	N	Not used
C059	Street	C	N	
3042	Street and number or post office box identifier	M an..35	N	Not used
3042	Street and number or post office box identifier	C an..35	N	Not used
3042	Street and number or post office box identifier	C an..35	N	Not used
3042	Street and number or post office box identifier	C an..35	N	Not used
3164	City name	C an..35	N	Not used
C819	Country sub-entity details	C	N	
3229	Country sub-entity name code	C an..9	N	Not used
1131	Code list identification code	C an..17	N	Not used
3055	Code list responsible agency code	C an..3	N	Not used
3228	Country sub-entity name	C an..70	N	Not used
3251	Postal identification code	C an..17	N	Not used
3207	Country name code	C an..3	N	Not used

Remark:

Example:

NAD+SK+LX00'

No = Consecutive segment number
 MaxOcc = Maximum occurrence of the segment/group
 Counter = Counter of segment/group within the standard

St = Status (M=Mandatory, R=Required, C=Conditional, O=Optional, F=Floating, D=Dependent, A=Advised, S=Situational, X=Not used, N=Not recommended)

Counter	No	Tag	St	MaxOcc	Level	Name
0900		SG18	C	999	1	GID-PIA-SG19-SG20-SG23
0910	7	GID	M	1	1	Goods item details

Standard			Implementation		
Tag	Name	St Format	St Format	Usage / Remark	
GID					
1496	Goods item number	C n..5	C n..5		
C213	Number and type of packages	C	C		
7224	Package quantity	C n..8	C n..8		
7065	Package type description code	C an..17	C an..17	ZZ Mutually defined	
1131	Code list identification code	C an..17	C an..17	57 Product code	
3055	Code list responsible agency code	C an..3	N	Not used	
7064	Type of packages	C an..35	C an..35		
7233	Packaging related description code	C an..3	N	Not used	
C213	Number and type of packages	C	N		
7224	Package quantity	C n..8	N	Not used	
7065	Package type description code	C an..17	N	Not used	
1131	Code list identification code	C an..17	N	Not used	
3055	Code list responsible agency code	C an..3	N	Not used	
7064	Type of packages	C an..35	N	Not used	
7233	Packaging related description code	C an..3	N	Not used	
C213	Number and type of packages	C	N		
7224	Package quantity	C n..8	N	Not used	
7065	Package type description code	C an..17	N	Not used	
1131	Code list identification code	C an..17	N	Not used	
3055	Code list responsible agency code	C an..3	N	Not used	
7064	Type of packages	C an..35	N	Not used	
7233	Packaging related description code	C an..3	N	Not used	
C213	Number and type of packages	C	N		
7224	Package quantity	C n..8	N	Not used	
7065	Package type description code	C an..17	N	Not used	
1131	Code list identification code	C an..17	N	Not used	
3055	Code list responsible agency code	C an..3	N	Not used	
7064	Type of packages	C an..35	N	Not used	
7233	Packaging related description code	C an..3	N	Not used	
C213	Number and type of packages	C	N		
7224	Package quantity	C n..8	N	Not used	
7065	Package type description code	C an..17	N	Not used	
1131	Code list identification code	C an..17	N	Not used	
3055	Code list responsible agency code	C an..3	N	Not used	
7064	Type of packages	C an..35	N	Not used	
7233	Packaging related description code	C an..3	N	Not used	

Remark:

No = Consecutive segment number
 MaxOcc = Maximum occurrence of the segment/group
 Counter = Counter of segment/group within the standard

St = Status (M=Mandatory, R=Required, C=Conditional, O=Optional, F=Floating, D=Dependent, A=Advised, S=Situational, X=Not used, N=Not recommended)



Example:

GID+1+1:ZZ:57::00Q1L'

No = Consecutive segment number
MaxOcc = Maximum occurrence of the segment/group
Counter = Counter of segment/group within the standard

St = Status (M=Mandatory, R=Required, C=Conditional,
O=Optional, F=Floating, D=Dependent, A=Advised,
S=Situational, X=Not used, N=Not recommended)

Counter	No	Tag	St	MaxOcc	Level	Name
0900		SG18	C	999	1	GID-PIA-SG19-SG20-SG23
0980	8	PIA	C	9	2	Additional product id

Standard			Implementation		
Tag	Name	St Format	St Format	Usage / Remark	
PIA					
4347	Product identifier code qualifier	M an..3	M an..3	1 Additional identification	
C212	Item number identification	M	M		
7140	Item identifier	C an..35	C an..35		
7143	Item type identification code	C an..3	C an..3	ON Customer order number	
1131	Code list identification code	C an..17	N	Not used	
3055	Code list responsible agency code	C an..3	N	Not used	
C212	Item number identification	C	C		
7140	Item identifier	C an..35	C an..35		
7143	Item type identification code	C an..3	C an..3	PD Part number description	
1131	Code list identification code	C an..17	N	Not used	
3055	Code list responsible agency code	C an..3	N	Not used	
C212	Item number identification	C	C		
7140	Item identifier	C an..35	N	Not used	
7143	Item type identification code	C an..3	C an..3	MP Product/service identification number	
1131	Code list identification code	C an..17	N	Not used	
3055	Code list responsible agency code	C an..3	N	Not used	
C212	Item number identification	C	C		
7140	Item identifier	C an..35	N	Not used	
7143	Item type identification code	C an..3	C an..3	EF Material code	
1131	Code list identification code	C an..17	N	Not used	
3055	Code list responsible agency code	C an..3	N	Not used	
C212	Item number identification	C	N		
7140	Item identifier	C an..35	N	Not used	
7143	Item type identification code	C an..3	N	Not used	
1131	Code list identification code	C an..17	N	Not used	
3055	Code list responsible agency code	C an..3	N	Not used	

Remark:

Example:

PIA+1+29149845:ON+6125M STANDARD OOS TRACTOR:PD+:MP+:EF'

No = Consecutive segment number
 MaxOcc = Maximum occurrence of the segment/group
 Counter = Counter of segment/group within the standard

St = Status (M=Mandatory, R=Required, C=Conditional, O=Optional, F=Floating, D=Dependent, A=Advised, S=Situational, X=Not used, N=Not recommended)

Counter	No	Tag	St	MaxOcc	Level	Name
1010		SG19	C	9	2	NAD
1020	9	NAD	M	1	2	Name and address

Standard			Implementation		
Tag	Name	St Format	St Format	Usage / Remark	
NAD					
3035	Party function code qualifier	M an..3	M an..3	SF Ship from ST Ship to	
C082	Party identification details	C	C		
3039	Party identifier	M an..35	M an..35		
1131	Code list identification code	C an..17	N	Not used	
3055	Code list responsible agency code	C an..3	N	Not used	
C058	Name and address	C	C		
3124	Name and address description	M an..35	M an..35		
3124	Name and address description	C an..35	C an..35		
3124	Name and address description	C an..35	N	Not used	
3124	Name and address description	C an..35	N	Not used	
3124	Name and address description	C an..35	N	Not used	
C080	Party name	C	N		
3036	Party name	M an..35	N	Not used	
3036	Party name	C an..35	N	Not used	
3036	Party name	C an..35	N	Not used	
3036	Party name	C an..35	N	Not used	
3036	Party name	C an..35	N	Not used	
3045	Party name format code	C an..3	N	Not used	
C059	Street	C	N		
3042	Street and number or post office box identifier	M an..35	N	Not used	
3042	Street and number or post office box identifier	C an..35	N	Not used	
3042	Street and number or post office box identifier	C an..35	N	Not used	
3042	Street and number or post office box identifier	C an..35	N	Not used	
3164	City name	C an..35	C an..35		
C819	Country sub-entity details	C	N		
3229	Country sub-entity name code	C an..9	N	Not used	
1131	Code list identification code	C an..17	N	Not used	
3055	Code list responsible agency code	C an..3	N	Not used	
3228	Country sub-entity name	C an..70	N	Not used	
3251	Postal identification code	C an..17	C an..17		
3207	Country name code	C an..3	C an..3	DE GERMANY	

Remark:

Example:

NAD+SF+LX01+John Deere Werke Mannheim:John Deere Strasse 90+++Mannheim++68163+DE'

No = Consecutive segment number
 MaxOcc = Maximum occurrence of the segment/group
 Counter = Counter of segment/group within the standard

St = Status (M=Mandatory, R=Required, C=Conditional, O=Optional, F=Floating, D=Dependent, A=Advised, S=Situational, X=Not used, N=Not recommended)

Counter	No	Tag	St	MaxOcc	Level	Name
1060		SG20	C	99	2	MEA
1070	10	MEA	M	1	2	Measurements

Standard			Implementation		
Tag	Name	St Format	St Format	Usage / Remark	
MEA					
6311	Measurement purpose code qualifier	M an..3	M an..3	WT Weights	
C502	Measurement details	C	N		
6313	Measured attribute code	C an..3	N	Not used	
6321	Measurement significance code	C an..3	N	Not used	
6155	Non-discrete measurement name code	C an..17	N	Not used	
6154	Non-discrete measurement name	C an..70	N	Not used	
C174	Value/range	C	C		
6411	Measurement unit code	M an..8	M an..8	KGM kilogram	
6314	Measure	C an..18	C an..18		
6162	Range minimum quantity	C n..18	N	Not used	
6152	Range maximum quantity	C n..18	N	Not used	
6432	Significant digits quantity	C n..2	N	Not used	
7383	Surface or layer code	C an..3	N	Not used	

Remark:

Example:

MEA+WT++KGM:5586'

No = Consecutive segment number
 MaxOcc = Maximum occurrence of the segment/group
 Counter = Counter of segment/group within the standard

St = Status (M=Mandatory, R=Required, C=Conditional, O=Optional, F=Floating, D=Dependent, A=Advised, S=Situational, X=Not used, N=Not recommended)

Counter	No	Tag	St	MaxOcc	Level	Name
1150		SG23	C	999	2	PCI-GIN
1160	11	PCI	M	1	2	Package identification

Standard			Implementation		
Tag	Name	St Format	St Format	Usage / Remark	
PCI					
4233	Marking instructions code	C an..3	C an..3	ZZZ Mutually defined	
C210	Marks & labels	C	N		
7102	Shipping marks description	M an..35	N	Not used	
7102	Shipping marks description	C an..35	N	Not used	
7102	Shipping marks description	C an..35	N	Not used	
7102	Shipping marks description	C an..35	N	Not used	
7102	Shipping marks description	C an..35	N	Not used	
7102	Shipping marks description	C an..35	N	Not used	
7102	Shipping marks description	C an..35	N	Not used	
7102	Shipping marks description	C an..35	N	Not used	
7102	Shipping marks description	C an..35	N	Not used	
7102	Shipping marks description	C an..35	N	Not used	
8275	Container or package contents indicator code	C an..3	N	Not used	
C827	Type of marking	C	N		
7511	Marking type code	M an..3	N	Not used	
1131	Code list identification code	C an..17	N	Not used	
3055	Code list responsible agency code	C an..3	N	Not used	

Remark:

Example:
PCI+ZZZ'

No = Consecutive segment number
 MaxOcc = Maximum occurrence of the segment/group
 Counter = Counter of segment/group within the standard

St = Status (M=Mandatory, R=Required, C=Conditional, O=Optional, F=Floating, D=Dependent, A=Advised, S=Situational, X=Not used, N=Not recommended)

Counter	No	Tag	St	MaxOcc	Level	Name
1150		SG23	C	999	2	PCI-GIN
1190	12	GIN	C	10	3	Goods identity number

Standard			Implementation		
Tag	Name	St Format	St Format	Usage / Remark	
GIN					
7405	Object identification code qualifier	M an..3	M an..3	CN Chassis number	
C208	Identity number range	M	M		
7402	Object identifier	M an..35	M an..35		
7402	Object identifier	C an..35	N	Not used	
C208	Identity number range	C	N		
7402	Object identifier	M an..35	N	Not used	
7402	Object identifier	C an..35	N	Not used	
C208	Identity number range	C	N		
7402	Object identifier	M an..35	N	Not used	
7402	Object identifier	C an..35	N	Not used	
C208	Identity number range	C	N		
7402	Object identifier	M an..35	N	Not used	
7402	Object identifier	C an..35	N	Not used	
C208	Identity number range	C	N		
7402	Object identifier	M an..35	N	Not used	
7402	Object identifier	C an..35	N	Not used	

Remark:

Example:

GIN+CN+29149845'

Counter	No	Tag	St	MaxOcc	Level	Name
2000	13	UNT	M	1	0	Message trailer

Standard			Implementation	
Tag	Name	St Format	St Format	Usage / Remark
UNT				
0074	Number of segments in the message	M n..6	M n..6	
0062	Message reference number	M an..14	M an..14	

Remark:

Example:
UNT+12+1'

Counter	No	Tag	St	MaxOcc	Level	Name
0000	14	UNZ	M	1	0	Interchange trailer

Standard			Implementation	
Tag	Name	St Format	St Format	Usage / Remark
UNZ				
0036	Interchange control count	M n..6	M n..6	
0020	Interchange control reference	M an..14	M an..14	

Remark:

Example:

UNZ+1+772'

Example Message:

UNA:+.?*

UNB+UNOA:1+O0013000059DEERE:ZZ+WWL-LLP:ZZ+140808:1131+772++IFTMIN

UNH+1+IFTMIN:D:03B:UN

BGM+173+140808+1

DTM+137:20140808043127:204

NAD+SK+LX00

GID+1+1:ZZ:57::00Q1L

PIA+1+29149845:ON+6125M STANDARD OOS TRACTOR:PD+:MP+:EF

NAD+SF+LX01+John Deere Werke Mannheim:John Deere Strasse
90+++Mannheim++68163+DE

NAD+ST

MEA+WT++KGM:5586

PCI+ZZZ

GIN+CN+29149845

UNT+12+1

UNZ+1+772