



JOHN DEERE

Message Implementation Guideline

**INVOIC Self-Billing
(SFBIL)**

based on

INVOIC
Invoice message

UN D.07A S3

Version 1.2
(02/10/2021)

Table of Contents

1 Introduction.....	3
2 Changelog.....	4
3 Message Structure.....	5
4 Branching Diagram	8
5 Segments	16
6 Example Message	66
7 Annex - Unit Codes	67

Introduction

This guideline represents two types of documents:

Self-billed credit note and self-billed debit note message for ERS (Self-Billing) process.

This guideline is **not** adequate for **paperless** electronic data exchange.

Changelog

Release	Date	Changes / Comments
1.2	2021-10-06	Added discounts segments: ALC+A+Article Discount' - information about discounts (description) MOA+8:xxx.xx:EUR:4' - discount value per item MOA+136:xxx.xx:EUR:4' - discounts total (sum of all item's discounts in a message) MOA+109:xxx.xx:EUR:4' - potential payment amount (total invoice value minus discount total (MOA+77 – MOA+136))
1.1	2021-07-16	Added the new message type 403 in BGM segment. New code represents Self-billed debit note – correction of self-billed credit note.
1.0	2014-06-26	First release

Message Structure

Counter	No	Tag	St	MaxOcc	Level	Content
0000	1	UNA	C	1	0	Service string advice
0000	2	UNB	M	1	0	Interchange header
0010	3	UNH	M	1	0	Message header
0020	4	BGM	M	1	0	Beginning of message
0030	5	DTM	M	35	1	Date/time/period
0030	6	DTM	M	35	1	Date/time/period
0220		SG2	C	99	1	NAD-SG3-SG3
0230	7	NAD	M	1	1	Name and address
0270		SG3	M	9999	2	RFF
0280	8	RFF	M	1	2	Reference
0270		SG3	M	9999	2	RFF
0280	9	RFF	M	1	2	Reference
0220		SG2	C	99	1	NAD-SG3
0230	10	NAD	M	1	1	Name and address
0270		SG3	C	9999	2	RFF
0280	11	RFF	M	1	2	Reference
0220		SG2	C	99	1	NAD
0230	12	NAD	M	1	1	Name and address
0400		SG7	M	99	1	CUX
0410	13	CUX	M	1	1	Currencies
1090		SG26	C	9999999	1	LIN-PIA-IMD-QTY-DTM-SG27-SG27-SG29-SG30-SG30-SG34-SG39
1100	14	LIN	M	1	1	Line item
1110	15	PIA	C	25	2	Additional product id
1130	16	IMD	C	99	2	Item description
1150	17	QTY	C	5	2	Quantity
1180	18	DTM	C	35	2	Date/time/period
1250		SG27	C	99	2	MOA
1260	19	MOA	M	1	2	Monetary amount
1250		SG27	C	99	2	MOA
1260	20	MOA	M	1	2	Monetary amount
1330		SG29	C	25	2	PRI
1340	21	PRI	M	1	2	Price details
1390		SG30	C	10	2	RFF-DTM
1400	22	RFF	M	1	2	Reference
1410	23	DTM	C	5	3	Date/time/period
1390		SG30	C	10	2	RFF
1400	24	RFF	M	1	2	Reference
1550		SG34	C	99	2	TAX

Counter = Counter of segment/group within the standard
 No = Consecutive segment number
 MaxOcc = Maximum occurrence of the segment/group

St = Status
 EDIFACT: M=Mandatory, C=Conditional
 User specific: R=Required, O=Optional, D=Dependent,
 A=Advised, N=Not used

Counter	No	Tag	St	MaxOcc	Level	Content
1560	25	TAX	M	1	2	Duty/tax/fee details
1720		SG39	C	30	2	ALC-SG42
1730	26	ALC	M	1	2	Allowance or charge
1830		SG42	C	2	3	MOA
1840	27	MOA	M	1	3	Monetary amount
1090		SG26	C	9999999	1	LIN-PIA-IMD-QTY-DTM-SG27-SG27-SG29-SG30-SG30-SG34-SG39
1100	28	LIN	M	1	1	Line item
1110	29	PIA	C	25	2	Additional product id
1130	30	IMD	C	99	2	Item description
1150	31	QTY	C	5	2	Quantity
1180	32	DTM	C	35	2	Date/time/period
1250		SG27	C	99	2	MOA
1260	33	MOA	M	1	2	Monetary amount
1250		SG27	C	99	2	MOA
1260	34	MOA	M	1	2	Monetary amount
1330		SG29	C	25	2	PRI
1340	35	PRI	M	1	2	Price details
1390		SG30	C	10	2	RFF-DTM
1400	36	RFF	M	1	2	Reference
1410	37	DTM	C	5	3	Date/time/period
1390		SG30	C	10	2	RFF
1400	38	RFF	M	1	2	Reference
1550		SG34	C	99	2	TAX
1560	39	TAX	M	1	2	Duty/tax/fee details
1720		SG39	C	30	2	ALC-SG42
1730	40	ALC	M	1	2	Allowance or charge
1830		SG42	C	2	3	MOA
1840	41	MOA	M	1	3	Monetary amount
2180	42	UNS	M	1	0	Section control
2190	43	CNT	C	10	1	Control total
2200		SG50	M	100	1	MOA
2210	44	MOA	M	1	1	Monetary amount
2200		SG50	M	100	1	MOA
2210	45	MOA	M	1	1	Monetary amount
2200		SG50	M	100	1	MOA
2210	46	MOA	M	1	1	Monetary amount
2200		SG50	M	100	1	MOA
2210	47	MOA	M	1	1	Monetary amount
2200		SG50	M	100	1	MOA

Counter = Counter of segment/group within the standard
 No = Consecutive segment number
 MaxOcc = Maximum occurrence of the segment/group

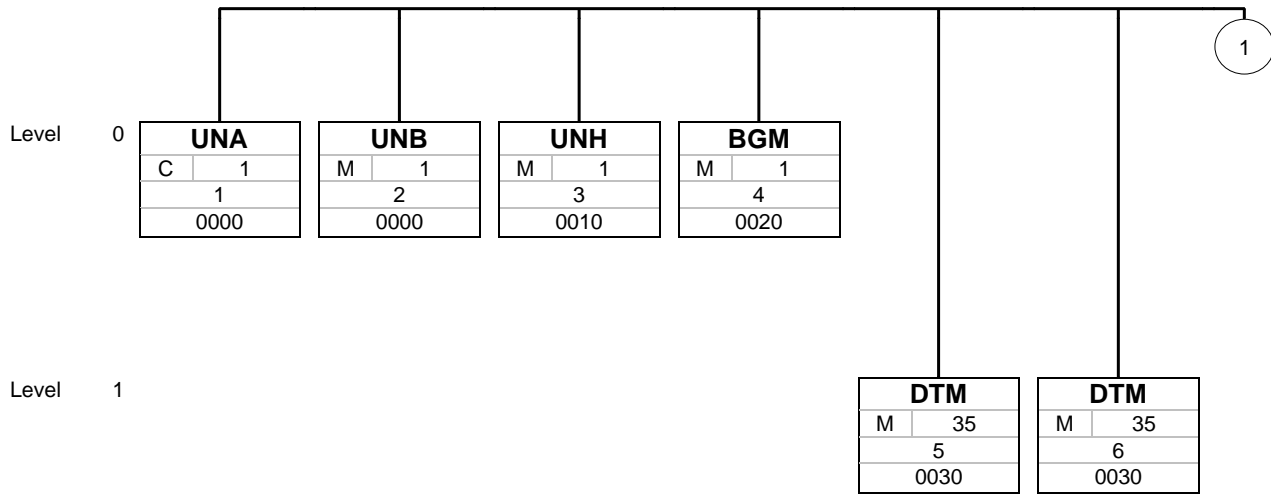
St = Status
 EDIFACT: M=Mandatory, C=Conditional
 User specific: R=Required, O=Optional, D=Dependent,
 A=Advised, N=Not used

Counter	No	Tag	St	MaxOcc	Level	Content
2210	48	MOA	M	1	1	Monetary amount
2330	49	UNT	M	1	0	Message trailer
0000	50	UNZ	M	1	0	Interchange trailer

Counter = Counter of segment/group within the standard
 No = Consecutive segment number
 MaxOcc = Maximum occurrence of the segment/group

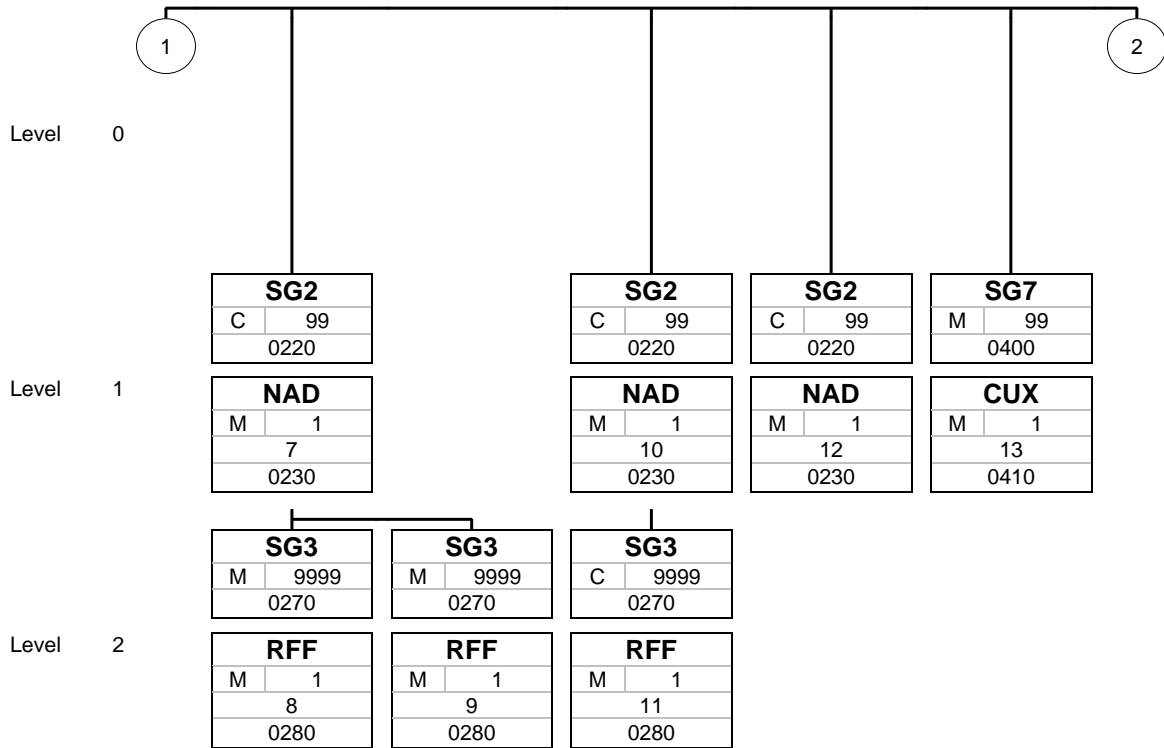
St = Status
 EDIFACT: M=Mandatory, C=Conditional
 User specific: R=Required, O=Optional, D=Dependent,
 A=Advised, N=Not used

Branching Diagram of Used Segments/Groups



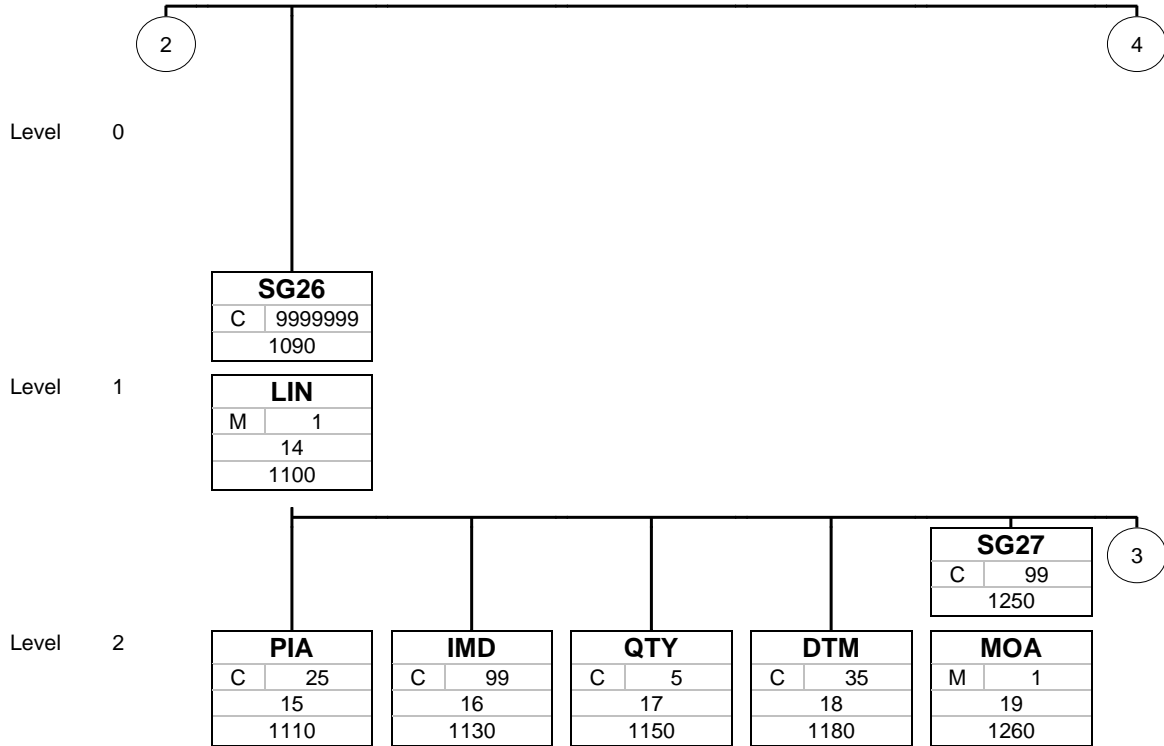
Tag
St MaxOcc
No
Counter

Tag = Segment/Group Tag
 St = Status (M=Mandatory, C=Conditional, R=Required, O=Optional, A=Advised, D=Dependent)
 MaxOcc = Maximum occurrence of the segment/group
 No = Consecutive segment number
 Counter = Counter of segment/group within the standard



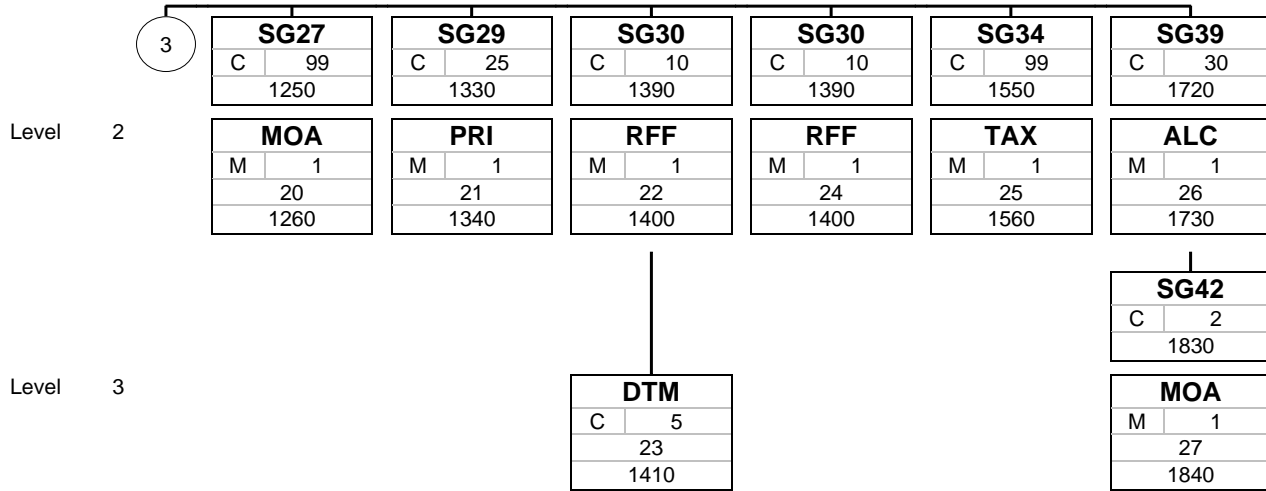
Tag
St MaxOcc
No
Counter

Tag = Segment/Group Tag
 St = Status (M=Mandatory, C=Conditional, R=Required, O=Optional, A=Advised, D=Dependent)
 MaxOcc = Maximum occurrence of the segment/group
 No = Consecutive segment number
 Counter = Counter of segment/group within the standard



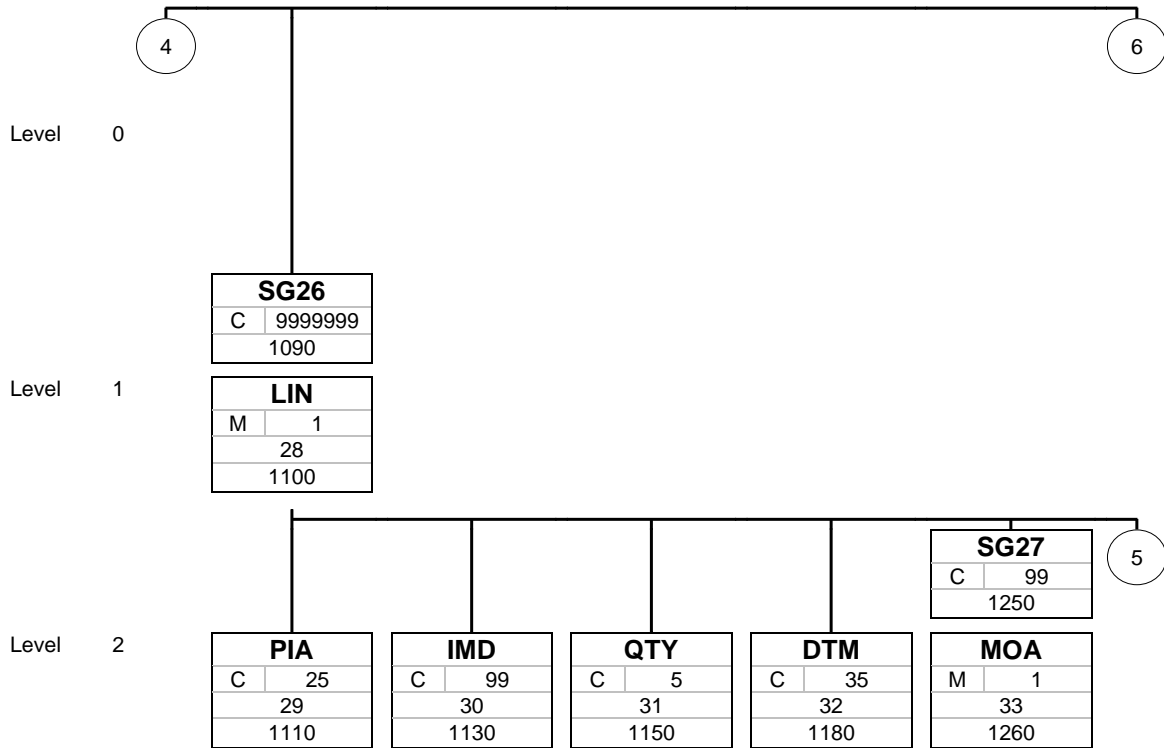
Tag
St MaxOcc
No
Counter

Tag = Segment/Group Tag
 St = Status (M=Mandatory, C=Conditional, R=Required, O=Optional, A=Advised, D=Dependent)
 MaxOcc = Maximum occurrence of the segment/group
 No = Consecutive segment number
 Counter = Counter of segment/group within the standard



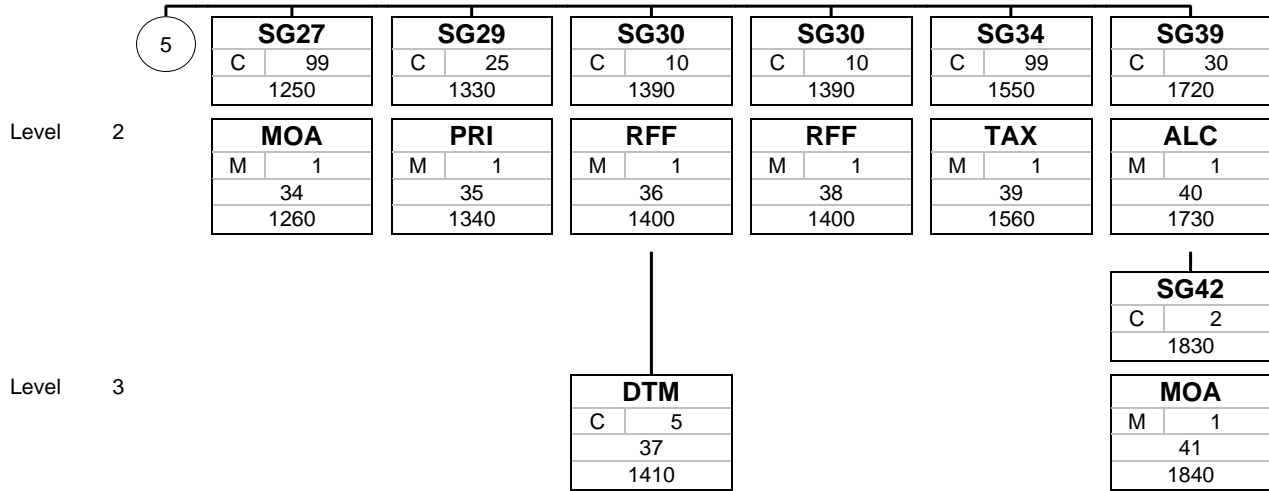
Tag
St MaxOcc
No
Counter

Tag = Segment/Group Tag
 St = Status (M=Mandatory, C=Conditional, R=Required, O=Optional, A=Advised, D=Dependent)
 MaxOcc = Maximum occurrence of the segment/group
 No = Consecutive segment number
 Counter = Counter of segment/group within the standard



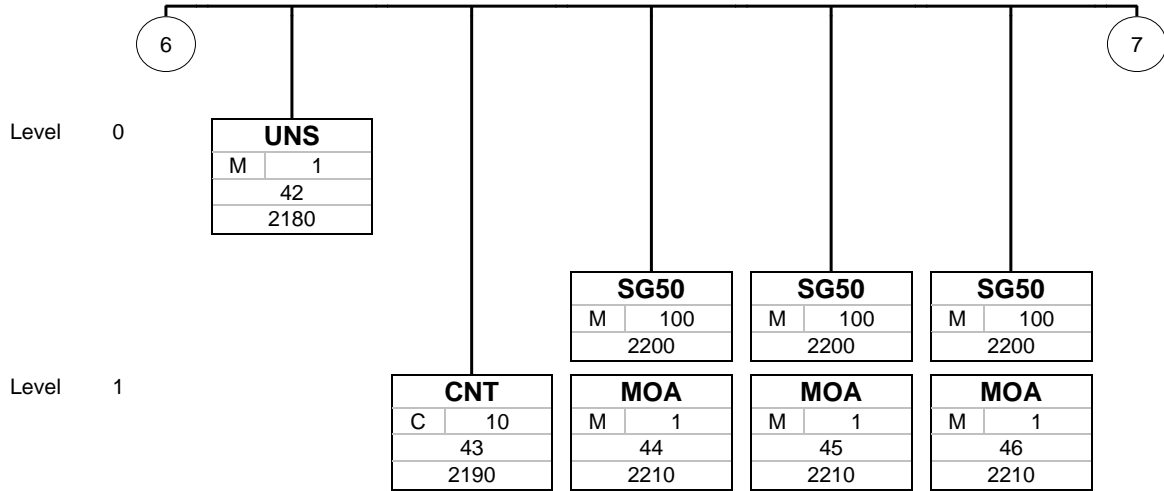
Tag
St MaxOcc
No
Counter

Tag = Segment/Group Tag
 St = Status (M=Mandatory, C=Conditional, R=Required, O=Optional, A=Advised, D=Dependent)
 MaxOcc = Maximum occurrence of the segment/group
 No = Consecutive segment number
 Counter = Counter of segment/group within the standard



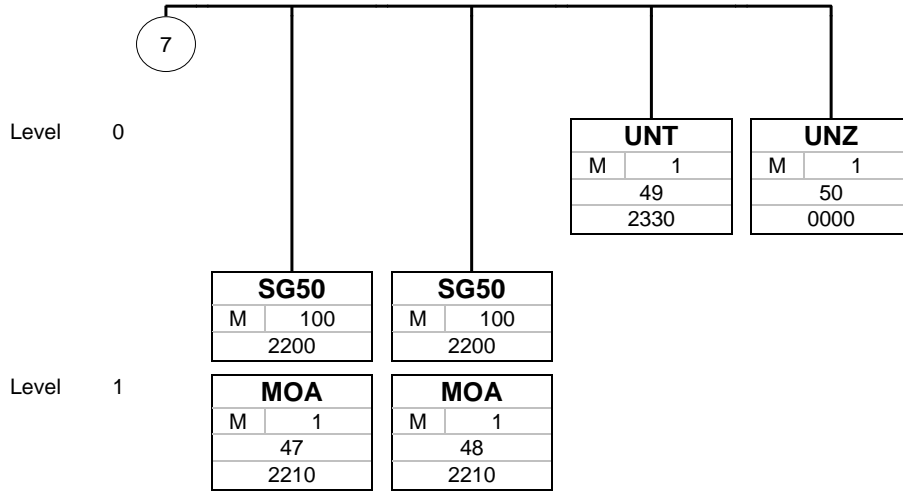
Tag
St MaxOcc
No
Counter

Tag = Segment/Group Tag
 St = Status (M=Mandatory, C=Conditional, R=Required, O=Optional, A=Advised, D=Dependent)
 MaxOcc = Maximum occurrence of the segment/group
 No = Consecutive segment number
 Counter = Counter of segment/group within the standard



Tag
St MaxOcc
No
Counter

Tag = Segment/Group Tag
 St = Status (M=Mandatory, C=Conditional, R=Required, O=Optional, A=Advised, D=Dependent)
 MaxOcc = Maximum occurrence of the segment/group
 No = Consecutive segment number
 Counter = Counter of segment/group within the standard



Tag
St MaxOcc
No
Counter

Tag = Segment/Group Tag
 St = Status (M=Mandatory, C=Conditional, R=Required, O=Optional, A=Advised, D=Dependent)
 MaxOcc = Maximum occurrence of the segment/group
 No = Consecutive segment number
 Counter = Counter of segment/group within the standard

Segments

Counter	No	Tag	St	MaxOcc	Level	Name
0000	1	UNA	C	1	0	Service string advice

		Standard	Implementation	
Tag	Name	St Format	JD Format	Usage / Remark
UNA				
UNA1	Component data element separator	M an1	M an1	:
UNA2	Data element separator	M an1	M an1	+
UNA3	Decimal notation	M an1	M an1	.
UNA4	Release indicator	M an1	M an1	?
UNA5	Reserved for future use	M an1	M an1	
UNA6	Segment terminator	M an1	M an1	'

Remark:

Example:

UNA: + . ? ' '

No = Consecutive segment number
 MaxOcc = Maximum occurrence of the segment/group
 Counter = Counter of segment/group within the standard

St = Status
 EDIFACT: M=Mandatory, C=Conditional
 User specific: R=Required, O=Optional, D=Dependent,
 A=Advised, N=Not used

Segments

Counter	No	Tag	St	MaxOcc	Level	Name
---------	----	-----	----	--------	-------	------

0000	2	UNB	M	1	0	Interchange header
------	---	-----	---	---	---	--------------------

		Standard	Implementation	
Tag	Name	St Format	JD Format	Usage / Remark
UNB				
S001		M	M	
0001	Syntax identifier	M a4	M a4	UNOC
				UNOC UN/EDC level C
0002	Syntax version number	M n1	M n1	2
				2 Version 2
S002		M	M	
0004	Sender identification	M an..35	M an..35	JDEUROUSB <i>John Deere ID e.g. JDEUROUSB or 00013000059DEERE</i>
0007	Partner identification code qualifier	C an..4	R an..4	ZZ ZZ <i>Assigned by John Deere</i>
0008	Address for reverse routing	C an..14	R an..14	JD_Unit_Code <i>Unit code defined by John Deere. Please check the unit code list at the end of this document.</i>
S003		M	M	
0010	Recipient identification	M an..35	R an..35	Partner_ID <i>ID of the receiver in the data transmission network or system, provided by the receiver (supplier)(e.g supplier VAT number, ODETTE code)</i>
0007	Partner identification code qualifier	C an..4	R an..4	ZZ ZZ <i>Assigned by Partner</i>
0014	Routing address	C an..14	R an..14	Partner_Number <i>Supplier number provided by John Deere (10 digits number) e.g. 00000xxxx</i>
S004		M	M	
0017	Date of preparation	M n6	M n6	210617 <i>YYMMDD YY - year, MM - month, DD - day</i>
0019	Time of preparation	M n4	M n4	0054 <i>Format HHMM (24 Hour. Format)</i>
0020	Interchange control reference	M an..14	M an..14	962 <i>Unique Interchange No.</i>
S005		C	N	
0022	Recipient's reference/password	M an..14	N	Not used
0025	Recipient's reference/password qualifier	C an2	N	Not used
0026	Application reference	C an..14	R an..14	INVOIC
0029	Processing priority code	C a1	N	Not used
0031	Acknowledgement request	C n1	N	Not used
0032	Communications agreement ID	C an..35	N	Not used
0035	Test indicator	C n1	N	Not used

Remark:

Example:

UNB+UNOC:2+JDEUROUSB:ZZ:JD_Unit_Code+Partner_ID:ZZ:Partner_Number+210617:0054+962++INVOIC'

No = Consecutive segment number
 MaxOcc = Maximum occurrence of the segment/group
 Counter = Counter of segment/group within the standard

St = Status
 EDIFACT: M=Mandatory, C=Conditional
 User specific: R=Required, O=Optional, D=Dependent, A=Advised, N=Not used

Segments

Counter	No	Tag	St	MaxOcc	Level	Name
0010	3	UNH	M	1	0	Message header

		Standard	Implementation		
Tag	Name	St Format	JD Format	Usage / Remark	
UNH					
0062	Message reference number	M an..14	M an..14	1	Message number
S009		M	M		
0065	Message type	M an..6	M an..6	INVOIC	INVOIC Invoice message
0052	Message version number	M an..3	M an..3	D	D Draft version/UN/EDIFACT Directory
0054	Message release number	M an..3	M an..3	07A	07A Release 2007 - A
0051	Controlling agency	M an..2	M an..2	UN	UN UN/CEFACT
0057	Association assigned code	C an..6	N	Not used	
0068	Common access reference	C an..35	N	Not used	
S010		C	N		
0070	Sequence of transfers	M n..2	N	Not used	
0073	First and last transfer	C a1	N	Not used	

Remark:

Example:

UNH+1+INVOIC:D:07A:UN'

No = Consecutive segment number
 MaxOcc = Maximum occurrence of the segment/group
 Counter = Counter of segment/group within the standard

St = Status
 EDIFACT: M=Mandatory, C=Conditional
 User specific: R=Required, O=Optional, D=Dependent, A=Advised, N=Not used

Segments

Counter	No	Tag	St	MaxOcc	Level	Name
0020	4	BGM	M	1	0	Beginning of message

		Standard	Implementation		
Tag	Name	St Format	JD Format	Usage / Remark	
BGM					
C002		C	C		
1001	Document name code	C an..3	R an..3	389	389 Self-billed invoice 403 Self-billed debit note
1131	Code list identification code	C an..17	N	Not used	
3055	Code list responsible agency code	C an..3	N	Not used	
1000	Document name	C an..35	N	Not used	
C106		C	C		
1004	Document identifier	C an..35	R an..35	5228815955	<i>Document number defined by John Deere</i>
1056	Version identifier	C an..9	N	Not used	
1060	Revision identifier	C an..6	N	Not used	
1225	Message function code	C an..3	R an..3	9	9 Original
4343	Response type code	C an..3	N	Not used	

Remark:

Example:

BGM+389+5228815955+9'

No = Consecutive segment number
 MaxOcc = Maximum occurrence of the segment/group
 Counter = Counter of segment/group within the standard

St = Status
 EDIFACT: M=Mandatory, C=Conditional
 User specific: R=Required, O=Optional, D=Dependent, A=Advised, N=Not used

Segments

Counter	No	Tag	St	MaxOcc	Level	Name
0030	5	DTM	M	35	1	Date/time/period

		Standard	Implementation		
Tag	Name	St Format	JD Format	Usage / Remark	
DTM					
C507		M	M		
2005	Date or time or period function code qualifier	M an..3	M an..3	137	137 Document issue date time
2380	Date or time or period text	C an..35	R an..35	20210616	
2379	Date or time or period format code	C an..3	R an..3	102	102 CCYYMMDD <i>Calendar date: C - Century, Y - year, M - month, D - day</i>

Remark:

Example:

DTM+137:20210616:102'

No = Consecutive segment number
 MaxOcc = Maximum occurrence of the segment/group
 Counter = Counter of segment/group within the standard

St = Status
 EDIFACT: M=Mandatory, C=Conditional
 User specific: R=Required, O=Optional, D=Dependent,
 A=Advised, N=Not used

Segments

Counter	No	Tag	St	MaxOcc	Level	Name
0030	6	DTM	M	35	1	Date/time/period

		Standard	Implementation		
Tag	Name	St Format	JD Format	Usage / Remark	
DTM					
C507		M	M		
2005	Date or time or period function code qualifier	M an..3	M an..3	140	140 Payment due date
2380	Date or time or period text	C an..35	R an..35	20210616	
2379	Date or time or period format code	C an..3	R an..3	102	102 CCYYMMDD <i>Calendar date: C - Century, Y - year, M - month, D - day</i>

Remark:

Example:

DTM+140:20210616:102'

No = Consecutive segment number
 MaxOcc = Maximum occurrence of the segment/group
 Counter = Counter of segment/group within the standard

St = Status
 EDIFACT: M=Mandatory, C=Conditional
 User specific: R=Required, O=Optional, D=Dependent,
 A=Advised, N=Not used

Segments

Counter	No	Tag	St	MaxOcc	Level	Name
0220		SG2	C	99	1	NAD-SG3
0230	7	NAD	M	1	1	Name and address

Standard			Implementation	
Tag	Name	St Format	JD Format	Usage / Remark
NAD				
3035	Party function code qualifier	M an..3	M an..3	BY BY Buyer
C082		C	C	
3039	Party identifier	M an..35	M an..35	LX01 <i>Unit code defined by John Deere. Please check the unit code list at the end of this document. This position requires standard unit code, e.g. LX01.</i>
1131	Code list identification code	C an..17	N	Not used
3055	Code list responsible agency code	C an..3	N	Not used
C058		C	N	
3124	Name and address description	M an..35	N	Not used
3124	Name and address description	C an..35	N	Not used
3124	Name and address description	C an..35	N	Not used
3124	Name and address description	C an..35	N	Not used
3124	Name and address description	C an..35	N	Not used
C080		C	C	
3036	Party name	M an..35	M an..35	John Deere GmbH & Co. KG <i>Buyer Name</i>
3036	Party name	C an..35	N	Not used
3036	Party name	C an..35	N	Not used
3036	Party name	C an..35	N	Not used
3036	Party name	C an..35	N	Not used
3045	Party name format code	C an..3	N	Not used
C059		C	C	
3042	Street and number or post office box identifier	M an..35	M an..35	John-Deere-Strasse 90 <i>Street</i>
3042	Street and number or post office box identifier	C an..35	N	Not used
3042	Street and number or post office box identifier	C an..35	N	Not used
3042	Street and number or post office box identifier	C an..35	N	Not used
3164	City name	C an..35	C an..35	Mannheim <i>City</i>
C819		C	N	
3229	Country subdivision identifier	C an..9	N	Not used
1131	Code list identification code	C an..17	N	Not used
3055	Code list responsible agency code	C an..3	N	Not used
3228	Country subdivision name	C an..70	N	Not used
3251	Postal identification code	C an..17	C an..17	68163 <i>Post Code</i>
3207	Country identifier	C an..3	C an..3	DE DE GERMANY <i>Country Code e.g. DE (ISO 3166-1 Country Code)</i>

Remark:

Example:

NAD+BY+LX01++John Deere GmbH & Co. KG+John-Deere-Strasse 90+Mannheim++68163+DE'

No = Consecutive segment number
 MaxOcc = Maximum occurrence of the segment/group
 Counter = Counter of segment/group within the standard

St = Status
 EDIFACT: M=Mandatory, C=Conditional
 User specific: R=Required, O=Optional, D=Dependent, A=Advised, N=Not used

Segments

Counter	No	Tag	St	MaxOcc	Level	Name
0270		SG3	M	9999	2	RFF
0280	8	RFF	M	1	2	Reference

Standard			Implementation	
Tag	Name	St Format	JD Format	Usage / Remark
RFF				
C506		M	M	
1153	Reference code qualifier	M an..3	M an..3	VA VA VAT registration number
1154	Reference identifier	C an..70	R an..70	DE283504884 <i>John Deere VAT number</i>
1156	Document line identifier	C an..6	N	Not used
1056	Version identifier	C an..9	N	Not used
1060	Revision identifier	C an..6	N	Not used

Remark:

John Deere VAT number

Example:

RFF+VA:DE283504884'

No = Consecutive segment number
 MaxOcc = Maximum occurrence of the segment/group
 Counter = Counter of segment/group within the standard

St = Status
 EDIFACT: M=Mandatory, C=Conditional
 User specific: R=Required, O=Optional, D=Dependent,
 A=Advised, N=Not used

Segments

Counter	No	Tag	St	MaxOcc	Level	Name
0270		SG3	M	9999	2	RFF
0280	9	RFF	M	1	2	Reference

Standard			Implementation	
Tag	Name	St Format	JD Format	Usage / Remark
RFF				
C506		M	M	
1153	Reference code qualifier	M an..3	M an..3	IT IT Internal customer number
1154	Reference identifier	C an..70	R an..70	2000999 <i>Supplier/Customer number</i>
1156	Document line identifier	C an..6	N	Not used
1056	Version identifier	C an..9	N	Not used
1060	Revision identifier	C an..6	N	Not used

Remark:
Supplier/Customer number

Example:
RFF+IT:2000999'

No = Consecutive segment number
 MaxOcc = Maximum occurrence of the segment/group
 Counter = Counter of segment/group within the standard

St = Status
 EDIFACT: M=Mandatory, C=Conditional
 User specific: R=Required, O=Optional, D=Dependent,
 A=Advised, N=Not used

Segments

Counter	No	Tag	St	MaxOcc	Level	Name
0220		SG2	C	99	1	NAD-SG3
0230	10	NAD	M	1	1	Name and address

Standard			Implementation	
Tag	Name	St Format	JD Format	Usage / Remark
NAD				
3035	Party function code qualifier	M an..3	M an..3	SU SU Supplier
C082		C	C	
3039	Party identifier	M an..35	M an..35	0000xxxxxx <i>Supplier number (10 digits, leftfill with 0).</i>
1131	Code list identification code	C an..17	N	Not used
3055	Code list responsible agency code	C an..3	N	Not used
C058		C	N	
3124	Name and address description	M an..35	N	Not used
3124	Name and address description	C an..35	N	Not used
3124	Name and address description	C an..35	N	Not used
3124	Name and address description	C an..35	N	Not used
3124	Name and address description	C an..35	N	Not used
C080		C	C	
3036	Party name	M an..35	M an..35	Supplier Name
3036	Party name	C an..35	N	Not used
3036	Party name	C an..35	N	Not used
3036	Party name	C an..35	N	Not used
3036	Party name	C an..35	N	Not used
3045	Party name format code	C an..3	N	Not used
C059		C	C	
3042	Street and number or post office box identifier	M an..35	M an..35	Street
3042	Street and number or post office box identifier	C an..35	N	Not used
3042	Street and number or post office box identifier	C an..35	N	Not used
3042	Street and number or post office box identifier	C an..35	N	Not used
3164	City name	C an..35	C an..35	City
C819		C	N	
3229	Country subdivision identifier	C an..9	N	Not used
1131	Code list identification code	C an..17	N	Not used
3055	Code list responsible agency code	C an..3	N	Not used
3228	Country subdivision name	C an..70	N	Not used
3251	Postal identification code	C an..17	C an..17	Post Code
3207	Country identifier	C an..3	C an..3	DE DE GERMANY <i>Country Code e.g. DE (ISO 3166-1 Country Code)</i>

Remark:

All specified partners will be transmitted with completed information regarding Name and Address

Example:

NAD+SU+0000xxxxxx++Supplier Name+Street+City++Post Code+DE'

No = Consecutive segment number
 MaxOcc = Maximum occurrence of the segment/group
 Counter = Counter of segment/group within the standard

St = Status
 EDIFACT: M=Mandatory, C=Conditional
 User specific: R=Required, O=Optional, D=Dependent, A=Advised, N=Not used

Segments

Counter	No	Tag	St	MaxOcc	Level	Name
0270		SG3	C	9999	2	RFF
0280	11	RFF	M	1	2	Reference

Standard			Implementation	
Tag	Name	St Format	JD Format	Usage / Remark
RFF				
C506		M	M	
1153	Reference code qualifier	M an..3	M an..3	VA VA VAT registration number
1154	Reference identifier	C an..70	C an..70	DE000000000 <i>Supplier/Partner VAT number</i>
1156	Document line identifier	C an..6	N	Not used
1056	Version identifier	C an..9	N	Not used
1060	Revision identifier	C an..6	N	Not used

Remark:
Supplier/Partner VAT number

Example:
RFF+VA:DE000000000'

No = Consecutive segment number
 MaxOcc = Maximum occurrence of the segment/group
 Counter = Counter of segment/group within the standard

St = Status
 EDIFACT: M=Mandatory, C=Conditional
 User specific: R=Required, O=Optional, D=Dependent,
 A=Advised, N=Not used

Segments

Counter	No	Tag	St	MaxOcc	Level	Name
0220		SG2	C	99	1	NAD
0230	12	NAD	M	1	1	Name and address

Standard			Implementation	
Tag	Name	St Format	JD Format	Usage / Remark
NAD				
3035	Party function code qualifier	M an..3	M an..3	UP UP Unloading party <i>Unloading Point / Unloading Address</i>
C082		C	C	
3039	Party identifier	M an..35	M an..35	LX01 <i>Unit code defined by John Deere. Please check the unit code list at the end of this document. This position requires standard unit code, e.g. LX01.</i>
1131	Code list identification code	C an..17	N	Not used
3055	Code list responsible agency code	C an..3	N	Not used
C058		C	N	
3124	Name and address description	M an..35	N	Not used
3124	Name and address description	C an..35	N	Not used
3124	Name and address description	C an..35	N	Not used
3124	Name and address description	C an..35	N	Not used
3124	Name and address description	C an..35	N	Not used
C080		C	C	
3036	Party name	M an..35	R an..35	John Deere Werk Mannheim <i>Address Name</i>
3036	Party name	C an..35	N	Not used
3036	Party name	C an..35	N	Not used
3036	Party name	C an..35	N	Not used
3036	Party name	C an..35	N	Not used
3045	Party name format code	C an..3	N	Not used
C059		C	C	
3042	Street and number or post office box identifier	M an..35	R an..35	John-Deere-Strasse 90 <i>Street</i>
3042	Street and number or post office box identifier	C an..35	N	Not used
3042	Street and number or post office box identifier	C an..35	N	Not used
3042	Street and number or post office box identifier	C an..35	N	Not used
3164	City name	C an..35	R an..35	Mannheim
C819		C	N	
3229	Country subdivision identifier	C an..9	N	Not used
1131	Code list identification code	C an..17	N	Not used
3055	Code list responsible agency code	C an..3	N	Not used
3228	Country subdivision name	C an..70	N	Not used
3251	Postal identification code	C an..17	R an..17	68163
3207	Country identifier	C an..3	R an..3	DE DE GERMANY <i>Country Code e.g. DE (ISO 3166-1 Country Code)</i>

Remark:
All specified partners will be transmitted with completed information regarding Name and Address

Example:
NAD+UP+LX01++John Deere Werk Mannheim+John-Deere-Strasse 90+Mannheim++68163+DE'

No = Consecutive segment number
MaxOcc = Maximum occurrence of the segment/group
Counter = Counter of segment/group within the standard

St = Status
EDIFACT: M=Mandatory, C=Conditional
User specific: R=Required, O=Optional, D=Dependent, A=Advised, N=Not used

Segments

Counter	No	Tag	St	MaxOcc	Level	Name
0400		SG7	M	99	1	CUX
0410	13	CUX	M	1	1	Currencies

Standard			Implementation	
Tag	Name	St Format	JD Format	Usage / Remark
CUX				
C504		C	C	
6347	Currency usage code qualifier	M an..3	M an..3	2
				2 Reference currency
6345	Currency identification code	C an..3	R an..3	EUR
				EUR Euro
				<i>Currency Code, ISO 4217 3 alpha Code (EURO)</i>
6343	Currency type code qualifier	C an..3	R an..3	4
				4 Invoicing currency
6348	Currency rate	C n..4	N	Not used
C504		C	N	
6347	Currency usage code qualifier	M an..3	N	Not used
6345	Currency identification code	C an..3	N	Not used
6343	Currency type code qualifier	C an..3	N	Not used
6348	Currency rate	C n..4	N	Not used
5402	Currency exchange rate	C n..12	N	Not used
6341	Exchange rate currency market identifier	C an..3	N	Not used

Remark:

Example:

CUX+2 : EUR : 4 '

No = Consecutive segment number
 MaxOcc = Maximum occurrence of the segment/group
 Counter = Counter of segment/group within the standard

St = Status
 EDIFACT: M=Mandatory, C=Conditional
 User specific: R=Required, O=Optional, D=Dependent, A=Advised, N=Not used

Segments

Counter	No	Tag	St	MaxOcc	Level	Name
1090		SG26	C	9999999	1	LIN-PIA-IMD-QTY-DTM-SG27-SG29-SG30-SG34-SG39
1100	14	LIN	M	1	1	Line item

		Standard	Implementation	
Tag	Name	St Format	JD Format	Usage / Remark
LIN				
1082	Line item identifier	C an..6	R an..6	000010 <i>Position Number. Max 6 digits with leading 4 zeros accepted.</i>
1229	Action code	C an..3	N	Not used
C212		C	C	
7140	Item identifier	C an..35	R an..35	L111111 <i>Material Number provided by John Deere</i>
7143	Item type identification code	C an..3	R an..3	IN IN Buyer's item number
1131	Code list identification code	C an..17	N	Not used
3055	Code list responsible agency code	C an..3	N	Not used
C829		C	N	
5495	Sub-line indicator code	C an..3	N	Not used
1082	Line item identifier	C an..6	N	Not used
1222	Configuration level number	C n..2	N	Not used
7083	Configuration operation code	C an..3	N	Not used

Remark:

Example:

LIN+000010++L111111:IN'

No = Consecutive segment number
 MaxOcc = Maximum occurrence of the segment/group
 Counter = Counter of segment/group within the standard

St = Status
 EDIFACT: M=Mandatory, C=Conditional
 User specific: R=Required, O=Optional, D=Dependent,
 A=Advised, N=Not used

Segments

Counter	No	Tag	St	MaxOcc	Level	Name
1090		SG26	C	9999999	1	LIN-PIA-IMD-QTY-DTM-SG27-SG29-SG30-SG34-SG39
1110	15	PIA	C	25	2	Additional product id

Standard			Implementation	
Tag	Name	St Format	JD Format	Usage / Remark
PIA				
4347	Product identifier code qualifier	M an..3	M an..3	1 1 Additional identification
C212		M	M	
7140	Item identifier	C an..35	C an..35	71111111 <i>Partner/Supplier material number</i>
7143	Item type identification code	C an..3	C an..3	VP VP Vendor's (seller's) part number
1131	Code list identification code	C an..17	N	Not used
3055	Code list responsible agency code	C an..3	N	Not used
C212		C	N	
7140	Item identifier	C an..35	N	Not used
7143	Item type identification code	C an..3	N	Not used
1131	Code list identification code	C an..17	N	Not used
3055	Code list responsible agency code	C an..3	N	Not used
C212		C	N	
7140	Item identifier	C an..35	N	Not used
7143	Item type identification code	C an..3	N	Not used
1131	Code list identification code	C an..17	N	Not used
3055	Code list responsible agency code	C an..3	N	Not used
C212		C	N	
7140	Item identifier	C an..35	N	Not used
7143	Item type identification code	C an..3	N	Not used
1131	Code list identification code	C an..17	N	Not used
3055	Code list responsible agency code	C an..3	N	Not used
C212		C	N	
7140	Item identifier	C an..35	N	Not used
7143	Item type identification code	C an..3	N	Not used
1131	Code list identification code	C an..17	N	Not used
3055	Code list responsible agency code	C an..3	N	Not used

Remark:

Example:

PIA+1+71111111:VP'

No = Consecutive segment number
 MaxOcc = Maximum occurrence of the segment/group
 Counter = Counter of segment/group within the standard

St = Status
 EDIFACT: M=Mandatory, C=Conditional
 User specific: R=Required, O=Optional, D=Dependent, A=Advised, N=Not used

Segments

Counter	No	Tag	St	MaxOcc	Level	Name
1090		SG26	C	9999999	1	LIN-PIA-IMD-QTY-DTM-SG27-SG29-SG30-SG34-SG39
1130	16	IMD	C	99	2	Item description

Standard			Implementation	
Tag	Name	St Format	JD Format	Usage / Remark
IMD				
7077	Description format code	C an..3	O an..3	A A Free-form long description
C272		C	N	
7081	Item characteristic code	C an..3	N	Not used
1131	Code list identification code	C an..17	N	Not used
3055	Code list responsible agency code	C an..3	N	Not used
C273		C	C	
7009	Item description code	C an..17	N	Not used
1131	Code list identification code	C an..17	N	Not used
3055	Code list responsible agency code	C an..3	N	Not used
7008	Item description	C an..256	R an..256	Material Description <i>Part/Material description</i>
7008	Item description	C an..256	N	Not used
3453	Language name code	C an..3	N	Not used
7383	Surface or layer code	C an..3	N	Not used

Remark:

Example:

IMD+A+:::Material Description'

No = Consecutive segment number
 MaxOcc = Maximum occurrence of the segment/group
 Counter = Counter of segment/group within the standard

St = Status
 EDIFACT: M=Mandatory, C=Conditional
 User specific: R=Required, O=Optional, D=Dependent,
 A=Advised, N=Not used

Segments

Counter	No	Tag	St	MaxOcc	Level	Name
1090		SG26	C	9999999	1	LIN-PIA-IMD-QTY-DTM-SG27-SG29-SG30-SG34-SG39
1150	17	QTY	C	5	2	Quantity

Standard			Implementation	
Tag	Name	St Format	JD Format	Usage / Remark
QTY				
C186		M	M	
6063	Quantity type code qualifier	M an..3	M an..3	47 <i>Delivered quantity</i> 47 Invoiced quantity
6060	Quantity	M an..35	M an..35	5.000
6411	Measurement unit code	C an..8	R an..8	EA EA each

Remark:

Example:

QTY+47:5.000:EA'

No = Consecutive segment number
 MaxOcc = Maximum occurrence of the segment/group
 Counter = Counter of segment/group within the standard

St = Status
 EDIFACT: M=Mandatory, C=Conditional
 User specific: R=Required, O=Optional, D=Dependent,
 A=Advised, N=Not used

Segments

Counter	No	Tag	St	MaxOcc	Level	Name
1090		SG26	C	9999999	1	LIN-PIA-IMD-QTY-DTM-SG27-SG29-SG30-SG34-SG39
1180	18	DTM	C	35	2	Date/time/period

Standard			Implementation	
Tag	Name	St Format	JD Format	Usage / Remark
DTM				
C507		M	M	
2005	Date or time or period function code qualifier	M an..3	M an..3	35 35 Delivery date/time, actual
2380	Date or time or period text	C an..35	C an..35	20210615
2379	Date or time or period format code	C an..3	R an..3	102 102 CCYYMMDD <i>Calendar date: C - Century, Y - year, M - month, D - day</i>

Remark:

Example:

DTM+35:20210615:102'

No = Consecutive segment number
 MaxOcc = Maximum occurrence of the segment/group
 Counter = Counter of segment/group within the standard

St = Status
 EDIFACT: M=Mandatory, C=Conditional
 User specific: R=Required, O=Optional, D=Dependent, A=Advised, N=Not used

Segments

Counter	No	Tag	St	MaxOcc	Level	Name
1250		SG27	C	99	2	MOA
1260	19	MOA	M	1	2	Monetary amount

Standard			Implementation	
Tag	Name	St Format	JD Format	Usage / Remark
MOA				
C516		M	M	
5025	Monetary amount type code qualifier	M an..3	M an..3	203 203 Line item amount
5004	Monetary amount	C n..35	R n..35	96.5
6345	Currency identification code	C an..3	N	Not used
6343	Currency type code qualifier	C an..3	N	Not used
4405	Status description code	C an..3	N	Not used

Remark:

Example:

MOA+203:96.5'

No = Consecutive segment number
 MaxOcc = Maximum occurrence of the segment/group
 Counter = Counter of segment/group within the standard

St = Status
 EDIFACT: M=Mandatory, C=Conditional
 User specific: R=Required, O=Optional, D=Dependent,
 A=Advised, N=Not used

Segments

Counter	No	Tag	St	MaxOcc	Level	Name
1250		SG27	C	99	2	MOA
1260	20	MOA	M	1	2	Monetary amount

Standard			Implementation	
Tag	Name	St Format	JD Format	Usage / Remark
MOA				
C516		M	M	
5025	Monetary amount type code qualifier	M an..3	M an..3	38 Invoice item amount
5004	Monetary amount	C n..35	C n..35	111.39
6345	Currency identification code	C an..3	N	Not used
6343	Currency type code qualifier	C an..3	N	Not used
4405	Status description code	C an..3	N	Not used

Remark:

Example:

MOA+38:111.39'

No = Consecutive segment number
 MaxOcc = Maximum occurrence of the segment/group
 Counter = Counter of segment/group within the standard

St = Status
 EDIFACT: M=Mandatory, C=Conditional
 User specific: R=Required, O=Optional, D=Dependent, A=Advised, N=Not used

Segments

Counter	No	Tag	St	MaxOcc	Level	Name
1330		SG29	C	25	2	PRI
1340	21	PRI	M	1	2	Price details

Standard			Implementation	
Tag	Name	St Format	JD Format	Usage / Remark
PRI				
C509		C	C	
5125	Price code qualifier	M an..3	M an..3	AAB
				AAB Calculation gross
5118	Price amount	C n..15	R n..15	19.3
5375	Price type code	C an..3	N	Not used
5387	Price specification code	C an..3	N	Not used
5284	Unit price basis quantity	C n..9	C n..9	1
				<i>Price basis (amount), which the unit price refers to</i>
6411	Measurement unit code	C an..8	N	Not used
5213	Sub-line item price change operation code	C an..3	N	Not used

Remark:

Example:

PRI+AAB:19.3:::1'

No = Consecutive segment number
 MaxOcc = Maximum occurrence of the segment/group
 Counter = Counter of segment/group within the standard

St = Status
 EDIFACT: M=Mandatory, C=Conditional
 User specific: R=Required, O=Optional, D=Dependent, A=Advised, N=Not used

Segments

Counter	No	Tag	St	MaxOcc	Level	Name
1390		SG30	C	10	2	RFF-DTM
1400	22	RFF	M	1	2	Reference

		Standard	Implementation		
Tag	Name	St Format	JD Format	Usage / Remark	
RFF					
C506		M	M		
1153	Reference code qualifier	M an..3	M an..3	AAU	AAU Despatch note document identifier
1154	Reference identifier	C an..70	R an..70	811111111	<i>Delivery Note Number</i>
1156	Document line identifier	C an..6	N	Not used	
1056	Version identifier	C an..9	N	Not used	
1060	Revision identifier	C an..6	N	Not used	

Remark:

Example:

RFF+AAU:811111111'

No = Consecutive segment number
 MaxOcc = Maximum occurrence of the segment/group
 Counter = Counter of segment/group within the standard

St = Status
 EDIFACT: M=Mandatory, C=Conditional
 User specific: R=Required, O=Optional, D=Dependent, A=Advised, N=Not used

Segments

Counter	No	Tag	St	MaxOcc	Level	Name
1390		SG30	C	10	2	RFF-DTM
1410	23	DTM	C	5	3	Date/time/period

Standard			Implementation	
Tag	Name	St Format	JD Format	Usage / Remark
DTM				
C507		M	M	
2005	Date or time or period function code qualifier	M an..3	M an..3	171 171 Reference date/time
2380	Date or time or period text	C an..35	C an..35	20210615
2379	Date or time or period format code	C an..3	C an..3	102 102 CCYYMMDD <i>Calendar date: C - Century, Y - year, M - month, D - day</i>

Remark:

Example:

DTM+171:20210615:102'

No = Consecutive segment number
 MaxOcc = Maximum occurrence of the segment/group
 Counter = Counter of segment/group within the standard

St = Status
 EDIFACT: M=Mandatory, C=Conditional
 User specific: R=Required, O=Optional, D=Dependent, A=Advised, N=Not used

Segments

Counter	No	Tag	St	MaxOcc	Level	Name
1390		SG30	C	10	2	RFF
1400	24	RFF	M	1	2	Reference

Standard			Implementation	
Tag	Name	St Format	JD Format	Usage / Remark
RFF				
C506		M	M	
1153	Reference code qualifier	M an..3	M an..3	ON ON Order document identifier, buyer assigned
1154	Reference identifier	C an..70	R an..70	4100111111 <i>John Deere Order document identifier</i>
1156	Document line identifier	C an..6	N	Not used
1056	Version identifier	C an..9	N	Not used
1060	Revision identifier	C an..6	N	Not used

Remark:

Example:

RFF+ON:4100111111'

No = Consecutive segment number
 MaxOcc = Maximum occurrence of the segment/group
 Counter = Counter of segment/group within the standard

St = Status
 EDIFACT: M=Mandatory, C=Conditional
 User specific: R=Required, O=Optional, D=Dependent, A=Advised, N=Not used

Segments

Counter	No	Tag	St	MaxOcc	Level	Name
1550		SG34	C	99	2	TAX
1560	25	TAX	M	1	2	Duty/tax/fee details

Standard			Implementation	
Tag	Name	St Format	JD Format	Usage / Remark
TAX				
5283	Duty or tax or fee function code qualifier	M an..3	M an..3	7 7 Tax
C241		C	C	
5153	Duty or tax or fee type name code	C an..3	R an..3	VAT VAT Value added tax
1131	Code list identification code	C an..17	N	Not used
3055	Code list responsible agency code	C an..3	N	Not used
5152	Duty or tax or fee type name	C an..35	N	Not used
C533		C	N	
5289	Duty or tax or fee account code	M an..6	N	Not used
1131	Code list identification code	C an..17	N	Not used
3055	Code list responsible agency code	C an..3	N	Not used
5286	Duty or tax or fee assessment basis quantity	C an..15	N	Not used
C243		C	C	
5279	Duty or tax or fee rate code	C an..7	N	Not used
1131	Code list identification code	C an..17	N	Not used
3055	Code list responsible agency code	C an..3	N	Not used
5278	Duty or tax or fee rate	C an..17	C an..17	19
5273	Duty or tax or fee rate basis code	C an..12	N	Not used
1131	Code list identification code	C an..17	N	Not used
3055	Code list responsible agency code	C an..3	N	Not used
5305	Duty or tax or fee category code	C an..3	C an..3	S S Standard rate
3446	Party tax identifier	C an..20	N	Not used
1227	Calculation sequence code	C an..3	N	Not used
5307	Tax or duty or fee payment due date code	C an..3	N	Not used

Remark:

Example:

TAX+7+VAT+++:::19+S'

No = Consecutive segment number
 MaxOcc = Maximum occurrence of the segment/group
 Counter = Counter of segment/group within the standard

St = Status
 EDIFACT: M=Mandatory, C=Conditional
 User specific: R=Required, O=Optional, D=Dependent, A=Advised, N=Not used

Segments

Counter	No	Tag	St	MaxOcc	Level	Name
1720		SG39	C	30	2	ALC-SG42
1730	26	ALC	M	1	2	Allowance or charge

		Standard	Implementation	
Tag	Name	St Format	JD Format	Usage / Remark
ALC				
5463	Allowance or charge code qualifier	M an..3	M an..3	A
C552		C	C	
1230	Allowance or charge identifier	C an..35	C an..35	Article Discount
5189	Allowance or charge identification code	C an..3	N	Not used
4471	Settlement means code	C an..3	N	Not used
1227	Calculation sequence code	C an..3	N	Not used
C214		C	N	
7161	Special service description code	C an..3	N	Not used
1131	Code list identification code	C an..17	N	Not used
3055	Code list responsible agency code	C an..3	N	Not used
7160	Special service description	C an..35	N	Not used
7160	Special service description	C an..35	N	Not used

Remark:

Article discount which accumulates per line item level must be provided collected in following MOA. All article discounts have to be consolidated in segment MOA+136 as one value.

Example:

ALC+A+Article Discount'

No = Consecutive segment number
 MaxOcc = Maximum occurrence of the segment/group
 Counter = Counter of segment/group within the standard

St = Status
 EDIFACT: M=Mandatory, C=Conditional
 User specific: R=Required, O=Optional, D=Dependent, A=Advised, N=Not used

Segments

Counter	No	Tag	St	MaxOcc	Level	Name
1830		SG42	C	2	3	MOA
1840	27	MOA	M	1	3	Monetary amount

Standard			Implementation		
Tag	Name	St Format	JD Format	Usage / Remark	
MOA					
C516		M	M		
5025	Monetary amount type code qualifier	M an..3	M an..3	8	8 Allowance or charge amount
5004	Monetary amount	C n..35	C n..35	11.11	
6345	Currency identification code	C an..3	C an..3	EUR	EUR Euro
6343	Currency type code qualifier	C an..3	C an..3	4	4 Invoicing currency
4405	Status description code	C an..3	N	Not used	

Remark:

Article discount value & currency.

Example:

MOA+8:11.11:EUR:4'

No = Consecutive segment number
 MaxOcc = Maximum occurrence of the segment/group
 Counter = Counter of segment/group within the standard

St = Status
 EDIFACT: M=Mandatory, C=Conditional
 User specific: R=Required, O=Optional, D=Dependent,
 A=Advised, N=Not used

Segments

Counter	No	Tag	St	MaxOcc	Level	Name
1090		SG26	C	9999999	1	LIN-PIA-IMD-QTY-DTM-SG27-SG29-SG30-SG34-SG39
1100	28	LIN	M	1	1	Line item

		Standard	Implementation	
Tag	Name	St Format	JD Format	Usage / Remark
LIN				
1082	Line item identifier	C an..6	R an..6	000020 <i>Position Number. Max 6 digits with leading 4 zeros accepted.</i>
1229	Action code	C an..3	N	Not used
C212		C	C	
7140	Item identifier	C an..35	R an..35	L222222 <i>John Deere Material Number</i>
7143	Item type identification code	C an..3	R an..3	IN IN Buyer's item number
1131	Code list identification code	C an..17	N	Not used
3055	Code list responsible agency code	C an..3	N	Not used
C829		C	N	
5495	Sub-line indicator code	C an..3	N	Not used
1082	Line item identifier	C an..6	N	Not used
1222	Configuration level number	C n..2	N	Not used
7083	Configuration operation code	C an..3	N	Not used

Remark:

Example:

LIN+000020++L222222:IN'

No = Consecutive segment number
 MaxOcc = Maximum occurrence of the segment/group
 Counter = Counter of segment/group within the standard

St = Status
 EDIFACT: M=Mandatory, C=Conditional
 User specific: R=Required, O=Optional, D=Dependent,
 A=Advised, N=Not used

Segments

Counter	No	Tag	St	MaxOcc	Level	Name
1090		SG26	C	9999999	1	LIN-PIA-IMD-QTY-DTM-SG27-SG29-SG30-SG34-SG39
1110	29	PIA	C	25	2	Additional product id

Standard			Implementation	
Tag	Name	St Format	JD Format	Usage / Remark
PIA				
4347	Product identifier code qualifier	M an..3	M an..3	1 1 Additional identification
C212		M	M	
7140	Item identifier	C an..35	C an..35	91111T111 <i>Partner/Supplier material number</i>
7143	Item type identification code	C an..3	C an..3	VP VP Vendor's (seller's) part number
1131	Code list identification code	C an..17	N	Not used
3055	Code list responsible agency code	C an..3	N	Not used
C212		C	N	
7140	Item identifier	C an..35	N	Not used
7143	Item type identification code	C an..3	N	Not used
1131	Code list identification code	C an..17	N	Not used
3055	Code list responsible agency code	C an..3	N	Not used
C212		C	N	
7140	Item identifier	C an..35	N	Not used
7143	Item type identification code	C an..3	N	Not used
1131	Code list identification code	C an..17	N	Not used
3055	Code list responsible agency code	C an..3	N	Not used
C212		C	N	
7140	Item identifier	C an..35	N	Not used
7143	Item type identification code	C an..3	N	Not used
1131	Code list identification code	C an..17	N	Not used
3055	Code list responsible agency code	C an..3	N	Not used
C212		C	N	
7140	Item identifier	C an..35	N	Not used
7143	Item type identification code	C an..3	N	Not used
1131	Code list identification code	C an..17	N	Not used
3055	Code list responsible agency code	C an..3	N	Not used

Remark:

Example:

PIA+1+91111T111:VP'

No = Consecutive segment number
 MaxOcc = Maximum occurrence of the segment/group
 Counter = Counter of segment/group within the standard

St = Status
 EDIFACT: M=Mandatory, C=Conditional
 User specific: R=Required, O=Optional, D=Dependent, A=Advised, N=Not used

Segments

Counter	No	Tag	St	MaxOcc	Level	Name
1090		SG26	C	9999999	1	LIN-PIA-IMD-QTY-DTM-SG27-SG29-SG30-SG34-SG39
1130	30	IMD	C	99	2	Item description

Standard			Implementation	
Tag	Name	St Format	JD Format	Usage / Remark
IMD				
7077	Description format code	C an..3	C an..3	A A Free-form long description
C272		C	N	
7081	Item characteristic code	C an..3	N	Not used
1131	Code list identification code	C an..17	N	Not used
3055	Code list responsible agency code	C an..3	N	Not used
C273		C	C	
7009	Item description code	C an..17	N	Not used
1131	Code list identification code	C an..17	N	Not used
3055	Code list responsible agency code	C an..3	N	Not used
7008	Item description	C an..256	R an..256	Material Description <i>Part/Material description</i>
7008	Item description	C an..256	N	Not used
3453	Language name code	C an..3	N	Not used
7383	Surface or layer code	C an..3	N	Not used

Remark:

Example:

IMD+A+:::Material Description'

No = Consecutive segment number
 MaxOcc = Maximum occurrence of the segment/group
 Counter = Counter of segment/group within the standard

St = Status
 EDIFACT: M=Mandatory, C=Conditional
 User specific: R=Required, O=Optional, D=Dependent,
 A=Advised, N=Not used

Segments

Counter	No	Tag	St	MaxOcc	Level	Name
1090		SG26	C	9999999	1	LIN-PIA-IMD-QTY-DTM-SG27-SG29-SG30-SG34-SG39
1150	31	QTY	C	5	2	Quantity

		Standard	Implementation	
Tag	Name	St Format	JD Format	Usage / Remark
QTY				
C186		M	M	
6063	Quantity type code qualifier	M an..3	M an..3	47 47 Invoiced quantity
6060	Quantity	M an..35	M an..35	<i>Delivered quantity</i> 4.000
6411	Measurement unit code	C an..8	C an..8	EA EA each

Remark:

Example:

QTY+47:4.000:EA'

No = Consecutive segment number
 MaxOcc = Maximum occurrence of the segment/group
 Counter = Counter of segment/group within the standard

St = Status
 EDIFACT: M=Mandatory, C=Conditional
 User specific: R=Required, O=Optional, D=Dependent,
 A=Advised, N=Not used

Segments

Counter	No	Tag	St	MaxOcc	Level	Name
1090		SG26	C	9999999	1	LIN-PIA-IMD-QTY-DTM-SG27-SG29-SG30-SG34-SG39
1180	32	DTM	C	35	2	Date/time/period

		Standard	Implementation		
Tag	Name	St Format	JD Format	Usage / Remark	
DTM					
C507		M	M		
2005	Date or time or period function code qualifier	M an..3	M an..3	35	35 Delivery date/time, actual
2380	Date or time or period text	C an..35	C an..35	20210615	
2379	Date or time or period format code	C an..3	C an..3	102	102 CCYYMMDD <i>Calendar date: C - Century, Y - year, M - month, D - day</i>

Remark:

Example:

DTM+35:20210615:102'

No = Consecutive segment number
 MaxOcc = Maximum occurrence of the segment/group
 Counter = Counter of segment/group within the standard

St = Status
 EDIFACT: M=Mandatory, C=Conditional
 User specific: R=Required, O=Optional, D=Dependent, A=Advised, N=Not used

Segments

Counter	No	Tag	St	MaxOcc	Level	Name
1250		SG27	C	99	2	MOA
1260	33	MOA	M	1	2	Monetary amount

Standard			Implementation	
Tag	Name	St Format	JD Format	Usage / Remark
MOA				
C516		M	M	
5025	Monetary amount type code qualifier	M an..3	M an..3	203 203 Line item amount
5004	Monetary amount	C n..35	C n..35	1023.4
6345	Currency identification code	C an..3	N	Not used
6343	Currency type code qualifier	C an..3	N	Not used
4405	Status description code	C an..3	N	Not used

Remark:

Example:

MOA+203:1023.4'

No = Consecutive segment number
 MaxOcc = Maximum occurrence of the segment/group
 Counter = Counter of segment/group within the standard

St = Status
 EDIFACT: M=Mandatory, C=Conditional
 User specific: R=Required, O=Optional, D=Dependent, A=Advised, N=Not used

Segments

Counter	No	Tag	St	MaxOcc	Level	Name
1250		SG27	C	99	2	MOA
1260	34	MOA	M	1	2	Monetary amount

Standard			Implementation	
Tag	Name	St Format	JD Format	Usage / Remark
MOA				
C516		M	M	
5025	Monetary amount type code qualifier	M an..3	M an..3	38 Invoice item amount
5004	Monetary amount	C n..35	R n..35	1181.31
6345	Currency identification code	C an..3	N	Not used
6343	Currency type code qualifier	C an..3	N	Not used
4405	Status description code	C an..3	N	Not used

Remark:

Example:

MOA+38:1181.31'

No = Consecutive segment number
 MaxOcc = Maximum occurrence of the segment/group
 Counter = Counter of segment/group within the standard

St = Status
 EDIFACT: M=Mandatory, C=Conditional
 User specific: R=Required, O=Optional, D=Dependent, A=Advised, N=Not used

Segments

Counter	No	Tag	St	MaxOcc	Level	Name
1330		SG29	C	25	2	PRI
1340	35	PRI	M	1	2	Price details

Standard			Implementation	
Tag	Name	St Format	JD Format	Usage / Remark
PRI				
C509		C	C	
5125	Price code qualifier	M an..3	M an..3	AAB
				AAB Calculation gross
5118	Price amount	C n..15	R n..15	255.85
5375	Price type code	C an..3	N	Not used
5387	Price specification code	C an..3	N	Not used
5284	Unit price basis quantity	C n..9	C n..9	1
				<i>Price basis (amount), which the unit price refers to</i>
6411	Measurement unit code	C an..8	N	Not used
5213	Sub-line item price change operation code	C an..3	N	Not used

Remark:

Example:

PRI+AAB:255.85:::1'

No = Consecutive segment number
 MaxOcc = Maximum occurrence of the segment/group
 Counter = Counter of segment/group within the standard

St = Status
 EDIFACT: M=Mandatory, C=Conditional
 User specific: R=Required, O=Optional, D=Dependent, A=Advised, N=Not used

Segments

Counter	No	Tag	St	MaxOcc	Level	Name
1390		SG30	C	10	2	RFF-DTM
1400	36	RFF	M	1	2	Reference

Standard			Implementation	
Tag	Name	St Format	JD Format	Usage / Remark
RFF				
C506		M	M	
1153	Reference code qualifier	M an..3	M an..3	AAU AAU Despatch note document identifier
1154	Reference identifier	C an..70	R an..70	82222222 <i>Delivery Note Number</i>
1156	Document line identifier	C an..6	N	Not used
1056	Version identifier	C an..9	N	Not used
1060	Revision identifier	C an..6	N	Not used

Remark:

Example:

RFF+AAU:82222222'

No = Consecutive segment number
 MaxOcc = Maximum occurrence of the segment/group
 Counter = Counter of segment/group within the standard

St = Status
 EDIFACT: M=Mandatory, C=Conditional
 User specific: R=Required, O=Optional, D=Dependent,
 A=Advised, N=Not used

Segments

Counter	No	Tag	St	MaxOcc	Level	Name
1390		SG30	C	10	2	RFF-DTM
1410	37	DTM	C	5	3	Date/time/period

Standard			Implementation	
Tag	Name	St Format	JD Format	Usage / Remark
DTM				
C507		M	M	
2005	Date or time or period function code qualifier	M an..3	M an..3	171 171 Reference date/time
2380	Date or time or period text	C an..35	C an..35	20210615
2379	Date or time or period format code	C an..3	C an..3	102 102 CCYYMMDD <i>Calendar date: C - Century, Y - year, M - month, D - day</i>

Remark:

Example:

DTM+171:20210615:102'

No = Consecutive segment number
 MaxOcc = Maximum occurrence of the segment/group
 Counter = Counter of segment/group within the standard

St = Status
 EDIFACT: M=Mandatory, C=Conditional
 User specific: R=Required, O=Optional, D=Dependent, A=Advised, N=Not used

Segments

Counter	No	Tag	St	MaxOcc	Level	Name
1390		SG30	C	10	2	RFF
1400	38	RFF	M	1	2	Reference

Standard			Implementation	
Tag	Name	St Format	JD Format	Usage / Remark
RFF				
C506		M	M	
1153	Reference code qualifier	M an..3	M an..3	ON
				ON Order document identifier, buyer assigned
1154	Reference identifier	C an..70	R an..70	4100222222
1156	Document line identifier	C an..6	N	Not used
1056	Version identifier	C an..9	N	Not used
1060	Revision identifier	C an..6	N	Not used

Remark:

Example:

RFF+ON:4100222222'

No = Consecutive segment number
 MaxOcc = Maximum occurrence of the segment/group
 Counter = Counter of segment/group within the standard

St = Status
 EDIFACT: M=Mandatory, C=Conditional
 User specific: R=Required, O=Optional, D=Dependent, A=Advised, N=Not used

Segments

Counter	No	Tag	St	MaxOcc	Level	Name
1550		SG34	C	99	2	TAX
1560	39	TAX	M	1	2	Duty/tax/fee details

Standard			Implementation	
Tag	Name	St Format	JD Format	Usage / Remark
TAX				
5283	Duty or tax or fee function code qualifier	M an..3	M an..3	7 7 Tax
C241		C	C	
5153	Duty or tax or fee type name code	C an..3	R an..3	VAT VAT Value added tax
1131	Code list identification code	C an..17	N	Not used
3055	Code list responsible agency code	C an..3	N	Not used
5152	Duty or tax or fee type name	C an..35	N	Not used
C533		C	N	
5289	Duty or tax or fee account code	M an..6	N	Not used
1131	Code list identification code	C an..17	N	Not used
3055	Code list responsible agency code	C an..3	N	Not used
5286	Duty or tax or fee assessment basis quantity	C an..15	N	Not used
C243		C	C	
5279	Duty or tax or fee rate code	C an..7	N	Not used
1131	Code list identification code	C an..17	N	Not used
3055	Code list responsible agency code	C an..3	N	Not used
5278	Duty or tax or fee rate	C an..17	R an..17	19
5273	Duty or tax or fee rate basis code	C an..12	N	Not used
1131	Code list identification code	C an..17	N	Not used
3055	Code list responsible agency code	C an..3	N	Not used
5305	Duty or tax or fee category code	C an..3	R an..3	S S Standard rate
3446	Party tax identifier	C an..20	N	Not used
1227	Calculation sequence code	C an..3	N	Not used
5307	Tax or duty or fee payment due date code	C an..3	N	Not used

Remark:

Example:

TAX+7+VAT+++:::19+S'

No = Consecutive segment number
 MaxOcc = Maximum occurrence of the segment/group
 Counter = Counter of segment/group within the standard

St = Status
 EDIFACT: M=Mandatory, C=Conditional
 User specific: R=Required, O=Optional, D=Dependent, A=Advised, N=Not used

Segments

Counter	No	Tag	St	MaxOcc	Level	Name
1720		SG39	C	30	2	ALC-SG42
1730	40	ALC	M	1	2	Allowance or charge

		Standard	Implementation	
Tag	Name	St Format	JD Format	Usage / Remark
ALC				
5463	Allowance or charge code qualifier	M an..3	M an..3	A A Allowance
C552		C	C	
1230	Allowance or charge identifier	C an..35	C an..35	Article Discount
5189	Allowance or charge identification code	C an..3	N	Not used
4471	Settlement means code	C an..3	N	Not used
1227	Calculation sequence code	C an..3	N	Not used
C214		C	N	
7161	Special service description code	C an..3	N	Not used
1131	Code list identification code	C an..17	N	Not used
3055	Code list responsible agency code	C an..3	N	Not used
7160	Special service description	C an..35	N	Not used
7160	Special service description	C an..35	N	Not used

Remark:

Article discount which accumulates per line item level must be provided collected in following MOA. All article discounts have to be consolidated in segment MOA+136 as one value.

Example:

ALC+A+Article Discount'

No = Consecutive segment number
 MaxOcc = Maximum occurrence of the segment/group
 Counter = Counter of segment/group within the standard

St = Status
 EDIFACT: M=Mandatory, C=Conditional
 User specific: R=Required, O=Optional, D=Dependent, A=Advised, N=Not used

Segments

Counter	No	Tag	St	MaxOcc	Level	Name
1830		SG42	C	2	3	MOA
1840	41	MOA	M	1	3	Monetary amount

Standard			Implementation		
Tag	Name	St Format	JD Format	Usage / Remark	
MOA					
C516		M	M		
5025	Monetary amount type code qualifier	M an..3	M an..3	8	8 Allowance or charge amount
5004	Monetary amount	C n..35	C n..35	22.22	
6345	Currency identification code	C an..3	C an..3	EUR	EUR Euro
6343	Currency type code qualifier	C an..3	C an..3	4	4 Invoicing currency
4405	Status description code	C an..3	N	Not used	

Remark:
Article discount value & currency

Example:
MOA+8:22.22:EUR:4'

No = Consecutive segment number
MaxOcc = Maximum occurrence of the segment/group
Counter = Counter of segment/group within the standard

St = Status
EDIFACT: M=Mandatory, C=Conditional
User specific: R=Required, O=Optional, D=Dependent, A=Advised, N=Not used

Segments

Counter	No	Tag	St	MaxOcc	Level	Name
2180	42	UNS	M	1	0	Section control

		Standard	Implementation	
Tag	Name	St Format	JD Format	Usage / Remark
UNS				
0081	Section identification	M a1	M a1	S S Detail/summary section separation

Remark:

Example:

UNS+S'

No = Consecutive segment number
 MaxOcc = Maximum occurrence of the segment/group
 Counter = Counter of segment/group within the standard

St = Status
 EDIFACT: M=Mandatory, C=Conditional
 User specific: R=Required, O=Optional, D=Dependent,
 A=Advised, N=Not used

Segments

Counter	No	Tag	St	MaxOcc	Level	Name
2190	43	CNT	C	10	1	Control total

		Standard	Implementation	
Tag	Name	St Format	JD Format	Usage / Remark
CNT				
C270		M	M	
6069	Control total type code qualifier	M an..3	M an..3	2
				2 Number of line items in message
6066	Control total quantity	M n..18	M n..18	18 <i>Count line items</i>
6411	Measurement unit code	C an..8	N	Not used

Remark:

Example:
CNT+2:18'

No = Consecutive segment number
 MaxOcc = Maximum occurrence of the segment/group
 Counter = Counter of segment/group within the standard

St = Status
 EDIFACT: M=Mandatory, C=Conditional
 User specific: R=Required, O=Optional, D=Dependent, A=Advised, N=Not used

Segments

Counter	No	Tag	St	MaxOcc	Level	Name
2200		SG50	M	100	1	MOA
2210	44	MOA	M	1	1	Monetary amount

Standard			Implementation	
Tag	Name	St Format	JD Format	Usage / Remark
MOA				
C516		M	M	
5025	Monetary amount type code qualifier	M an..3	M an..3	79
				79 Total line items amount
5004	Monetary amount	C n..35	C n..35	3413.94
6345	Currency identification code	C an..3	C an..3	EUR
				EUR Euro <i>Currency Code, ISO 4217 3 alpha Code (EURO)</i>
6343	Currency type code qualifier	C an..3	N	Not used
4405	Status description code	C an..3	N	Not used

Remark:

Example:

MOA+79:3413.94:EUR'

No = Consecutive segment number
 MaxOcc = Maximum occurrence of the segment/group
 Counter = Counter of segment/group within the standard

St = Status
 EDIFACT: M=Mandatory, C=Conditional
 User specific: R=Required, O=Optional, D=Dependent, A=Advised, N=Not used

Segments

Counter	No	Tag	St	MaxOcc	Level	Name
2200		SG50	M	100	1	MOA
2210	45	MOA	M	1	1	Monetary amount

Standard			Implementation	
Tag	Name	St Format	JD Format	Usage / Remark
MOA				
C516		M	M	
5025	Monetary amount type code qualifier	M an..3	M an..3	77 77 Invoice line item amount
5004	Monetary amount	C n..35	C n..35	4062.59
6345	Currency identification code	C an..3	C an..3	EUR EUR Euro <i>Currency Code, ISO 4217 3 alpha Code (EURO)</i>
6343	Currency type code qualifier	C an..3	N	Not used
4405	Status description code	C an..3	N	Not used

Remark:

Example:

MOA+77:4062.59:EUR'

No = Consecutive segment number
 MaxOcc = Maximum occurrence of the segment/group
 Counter = Counter of segment/group within the standard

St = Status
 EDIFACT: M=Mandatory, C=Conditional
 User specific: R=Required, O=Optional, D=Dependent, A=Advised, N=Not used

Segments

Counter	No	Tag	St	MaxOcc	Level	Name
2200		SG50	M	100	1	MOA
2210	46	MOA	M	1	1	Monetary amount

Standard			Implementation	
Tag	Name	St Format	JD Format	Usage / Remark
MOA				
C516		M	M	
5025	Monetary amount type code qualifier	M an..3	M an..3	176 176 Message total duty/tax/fee amount
5004	Monetary amount	C n..35	C n..35	648.65
6345	Currency identification code	C an..3	C an..3	EUR EUR Euro <i>Currency Code, ISO 4217 3 alpha Code (EURO)</i>
6343	Currency type code qualifier	C an..3	N	Not used
4405	Status description code	C an..3	N	Not used

Remark:

Example:

MOA+176:648.65:EUR'

No = Consecutive segment number
 MaxOcc = Maximum occurrence of the segment/group
 Counter = Counter of segment/group within the standard

St = Status
 EDIFACT: M=Mandatory, C=Conditional
 User specific: R=Required, O=Optional, D=Dependent,
 A=Advised, N=Not used

Segments

Counter	No	Tag	St	MaxOcc	Level	Name
2200		SG50	M	100	1	MOA
2210	47	MOA	M	1	1	Monetary amount

Standard			Implementation	
Tag	Name	St Format	JD Format	Usage / Remark
MOA				
C516		M	M	
5025	Monetary amount type code qualifier	M an..3	M an..3	136 136 Total invoice additional amount
5004	Monetary amount	C n..35	C n..35	33.33
6345	Currency identification code	C an..3	C an..3	EUR
6343	Currency type code qualifier	C an..3	C an..3	4 4 Invoicing currency
4405	Status description code	C an..3	N	Not used

Remark:

Discounts total (sum of all article discounts)

Example:

MOA+136:33.33:EUR:4'

No = Consecutive segment number
 MaxOcc = Maximum occurrence of the segment/group
 Counter = Counter of segment/group within the standard

St = Status
 EDIFACT: M=Mandatory, C=Conditional
 User specific: R=Required, O=Optional, D=Dependent, A=Advised, N=Not used

Segments

Counter	No	Tag	St	MaxOcc	Level	Name
2200		SG50	M	100	1	MOA
2210	48	MOA	M	1	1	Monetary amount

Standard			Implementation	
Tag	Name	St Format	JD Format	Usage / Remark
MOA				
C516		M	M	
5025	Monetary amount type code qualifier	M an..3	M an..3	109 109 Payment discount amount
5004	Monetary amount	C n..35	C n..35	4029.26
6345	Currency identification code	C an..3	C an..3	EUR
6343	Currency type code qualifier	C an..3	C an..3	4 4 Invoicing currency
4405	Status description code	C an..3	N	Not used

Remark:

Potential payment amount (total invoice value minus discounts total)

Example:

MOA+109:4029.26:EUR:4'

No = Consecutive segment number
 MaxOcc = Maximum occurrence of the segment/group
 Counter = Counter of segment/group within the standard

St = Status
 EDIFACT: M=Mandatory, C=Conditional
 User specific: R=Required, O=Optional, D=Dependent,
 A=Advised, N=Not used

Segments

Counter	No	Tag	St	MaxOcc	Level	Name
2330	49	UNT	M	1	0	Message trailer

		Standard	Implementation	
Tag	Name	St Format	JD Format	Usage / Remark
UNT				
0074	Number of segments in the message	M n..6	M n..6	233 <i>Number of segments in the message</i>
0062	Message reference number	M an..14	M an..14	1 <i>Message reference number</i>

Remark:

Example:

UNT+233+1'

No = Consecutive segment number
 MaxOcc = Maximum occurrence of the segment/group
 Counter = Counter of segment/group within the standard

St = Status
 EDIFACT: M=Mandatory, C=Conditional
 User specific: R=Required, O=Optional, D=Dependent, A=Advised, N=Not used

Segments

Counter	No	Tag	St	MaxOcc	Level	Name
0000	50	UNZ	M	1	0	Interchange trailer

		Standard	Implementation		
Tag	Name	St Format	JD Format	Usage / Remark	
UNZ					
0036	Interchange control count	M n..6	M n..6	1 <i>Interchange control count</i>	
0020	Interchange control reference	M an..14	M an..14	962 <i>Repetition of the UNB value, data element 0020</i>	

Remark:

Example:

UNZ+1+962'

No = Consecutive segment number
 MaxOcc = Maximum occurrence of the segment/group
 Counter = Counter of segment/group within the standard

St = Status
 EDIFACT: M=Mandatory, C=Conditional
 User specific: R=Required, O=Optional, D=Dependent,
 A=Advised, N=Not used

Example Message

UNA:+.? '
 UNB+UNOC:2+JDEUROUSB:ZZ:JD_UNIT_CODE+PARTNER_ID:ZZ:PARTNER_NUMBER+210617:0054+962++INVOIC'
 UNH+1+INVOIC:D:07A:UN'
 BGM+389+5228815955+9'
 DTM+137:20210616:102'
 DTM+140:20210616:102'
 NAD+BY+LX01++JOHN DEERE GMBH & CO. KG+JOHN-DEERE-STRASSE 90+MANNHEIM++68163+DE'
 RFF+VA:DE283504884'
 RFF+IT:2000999'
 NAD+SU+0000XXXXXX++SUPPLIER NAME+STREET+CITY++POST CODE+DE'
 RFF+VA:DE000000000'
 NAD+UP+LX01++JOHN DEERE WERK MANNHEIM+JOHN-DEERE-STRASSE 90+MANNHEIM++68163+DE'
 CUX+2:EUR:4'
 LIN+000010++L111111:IN'
 PIA+1+71111111:VP'
 IMD+A+:::MATERIAL DESCRIPTION'
 QTY+47:5.000:EA'
 DTM+35:20210615:102'
 MOA+203:96.5'
 MOA+38:111.39'
 PRI+AAB:19.3:::1'
 RFF+AAU:811111111'
 DTM+171:20210615:102'
 RFF+ON:4100111111'
 TAX+7+VAT+++:::19+S'
 ALC+A+ARTICLE DISCOUNT'
 MOA+8:11.11:EUR:4'
 LIN+000020++L222222:IN'
 PIA+1+911111T111:VP'
 IMD+A+:::MATERIAL DESCRIPTION'
 QTY+47:4.000:EA'
 DTM+35:20210615:102'
 MOA+203:1023.4'
 MOA+38:1181.31'
 PRI+AAB:255.85:::1'
 RFF+AAU:82222222'
 DTM+171:20210615:102'
 RFF+ON:4100222222'
 TAX+7+VAT+++:::19+S'
 ALC+A+ARTICLE DISCOUNT'
 MOA+8:22.22:EUR:4'
 UNS+S'
 CNT+2:18'
 MOA+79:3413.94:EUR'
 MOA+77:4062.59:EUR'
 MOA+176:648.65:EUR'
 MOA+136:33.33:EUR:4'
 MOA+109:4029.26:EUR:4'
 UNT+233+1'
 UNZ+1+962'

Annex – Unit Codes

UNIT NAME	CURRENT CODE (VDA 4905, 512_03)	CURRENT CODE (EDIFACT 96A)	NEW EDIFACT (EDIFACT D07A)	ANSI X12	UNIT NAME	CURRENT CODE (VDA 4905, 512_03)	CURRENT CODE (EDIFACT 96A)	NEW EDIFACT (EDIFACT D07A)	ANSI X12	EGETRANS ASN ROUTING in UNB
Arc-les-Gray	ARC	JDARC	CC01	CC	Coffeyville	COF	JDCOF	YZ00	YZ	YZ00EGE
Australia Branch	N/A	JD23	2300	23	Construction & Forestry (C&F)	CF	JDCF	CF00	CF	CF00EGE
Bruchsal	BRU	JDBRU	LX09	CG	Deere Brazil	CQ	JDCQ	CQ00	CQ	CQ00EGE
Domodedovo	DOM	JDDOM	JZ01	JZ	Deere India	PUN	JDPUN	PY00	PY	PY00EGE
Enschede	DM	JDDM	DM00	DM	Harbin China	HBN	JDHBN	YH00	YH	YH00EGE
EPDC	49	JD49	4900	49	IJD/Monterrey	MI3	JDMI3	M300	M3	M300EGE
French Branch	N/A	JDFR	2200	22	Motores Mexico	TOR	JDTOR	PE00	PE	PE00EGE
Horst	HOR	JDHOR	WZ01	WZ	North American AG	AG	JDAG	AG00	AG	AG00EGE
Iberica	GET	JDGET	CE01	CE	Power Systems	N/A	JD18	1800	18	1800EGE
Kaiserslautern	BAS BOS	JDBAS JDBOS	ZX02 ZX03	PA	Reman (Springfield)	SE	JDSE	SE00	SE	SE00EGE
Kemper	KM	JDKM	KM00	KM	Rosario (Argentina)	ROS	JDROS	JX00	JX	JX00EGE
Mannheim	MAN	JDMAN	LX01	LX	Sunbelt	N/A	N/A	SB00	SB	SB00EGE
Orenburg	ORE	JDORE	EK01	EK	Thibodaux	THI	JDTHI	T800	T8	T800EGE
Sabo	SAB	JDSAB	SA00	SA	Tianjin China	TJW	JDTJW	CP00 UG01	CP UG	CP00EGE UG00EGE
Saran	SAR	JDSAR	CD00	CD	Waterloo Engine Works	WEW	JDWEW	RG00	RG	RG00EGE
Spain Branch	N/A	JD32	3200	32	World Headquarters	N/A	N/A	9000	90	9000EGE
Zweibrücken	ZWE	JDZWE	ZX01	ZX	Worldwide Logistics	WWL	JDWWL	1B00	1B	1B00EGE
Campinas Brazil	3Q	JD3Q	3Q00	3Q	JDBH Israel	BHI	JDBHI	ZC00	ZC	ZC00EGE

N/A – not available

No = Consecutive segment number
 MaxOcc = Maximum occurrence of the segment/group
 Counter = Counter of segment/group within the standard

St = Status
 EDIFACT: M=Mandatory, C=Conditional
 User specific: R=Required, O=Optional, D=Dependent,
 A=Advised, N=Not used