



Message Implementation Guideline

EDIFACT IFTSTA

based on

IFTSTA_D03

International multimodal status report message

UN D.03A S3

Message Structure

Branching Diagram

Segments

Example



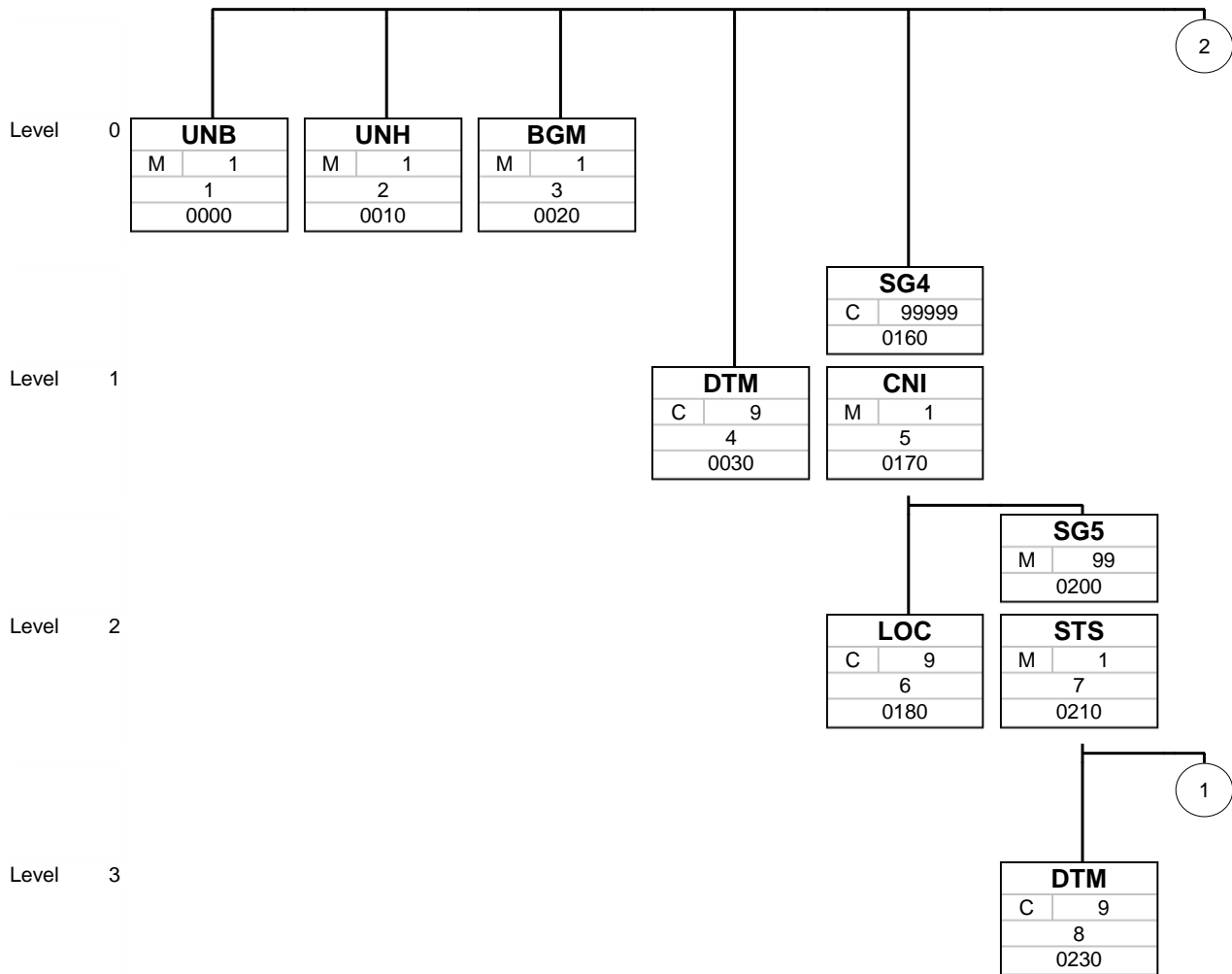
Counter	No	Tag	St	MaxOcc	Level	Content
0000	1	UNB	M	1	0	Interchange header
0010	2	UNH	M	1	0	Message header
0020	3	BGM	M	1	0	Beginning of message
0030	4	DTM	C	9	1	Date/time/period
0160		SG4	C	99999	1	CNI-LOC-SG5
0170	5	CNI	M	1	1	Consignment information
0180	6	LOC	C	9	2	Place/location identification
0200		SG5	M	99	2	STS-DTM-SG8-SG14
0210	7	STS	M	1	2	Status
0230	8	DTM	C	9	3	Date/time/period
0330		SG8	C	99	3	TDT
0340	9	TDT	M	1	3	Transport information
0570		SG14	C	99	3	GID-SG17
0580	10	GID	M	1	3	Goods item details
0690		SG17	C	99	4	PCI-GIN
0700	11	PCI	M	1	4	Package identification
0710	12	GIN	C	9999	5	Goods identity number
0720	13	UNT	M	1	0	Message trailer
0000	14	UNZ	M	1	0	Interchange trailer

No = Consecutive segment number
 MaxOcc = Maximum occurrence of the segment/group
 Counter = Counter of segment/group within the standard

St = Status (M=Mandatory, R=Required, C=Conditional, O=Optional, F=Floating, D=Dependent, A=Advised, S=Situational, X=Not used, N=Not recommended)

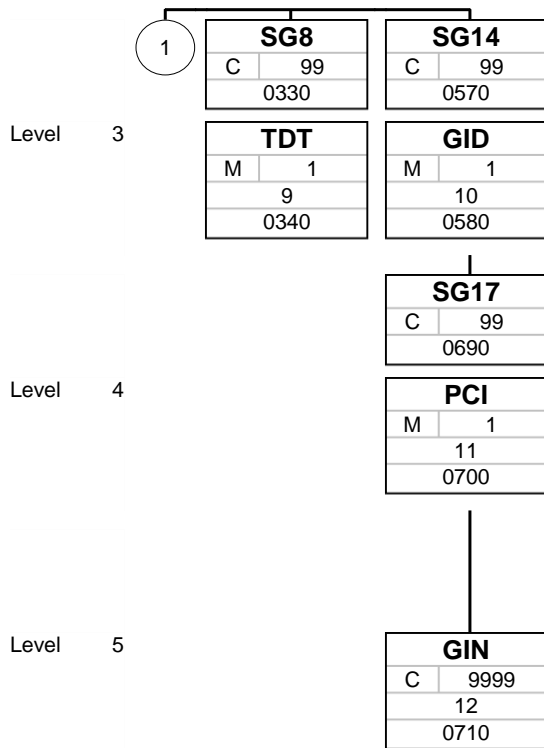
Branching Diagram

Guide IFTSTA_D03; UN D.03A S3



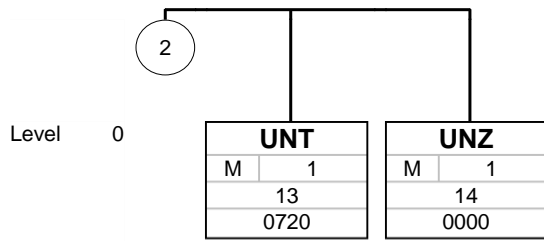
No = Consecutive segment number
 MaxOcc = Maximum occurrence of the segment/group
 Counter = Counter of segment/group within the standard

St = Status (M=Mandatory, R=Required, C=Conditional, O=Optional, F=Floating, D=Dependent, A=Advised, S=Situational, X=Not used, N=Not recommended)



No = Consecutive segment number
 MaxOcc = Maximum occurrence of the segment/group
 Counter = Counter of segment/group within the standard

St = Status (M=Mandatory, R=Required, C=Conditional, O=Optional, F=Floating, D=Dependent, A=Advised, S=Situational, X=Not used, N=Not recommended)



No = Consecutive segment number
 MaxOcc = Maximum occurrence of the segment/group
 Counter = Counter of segment/group within the standard

St = Status (M=Mandatory, R=Required, C=Conditional,
 O=Optional, F=Floating, D=Dependent, A=Advised,
 S=Situational, X=Not used, N=Not recommended)

Example

Guide IFTSTA_D03; UN D.03A S3

Counter	No	Tag	St	MaxOcc	Level	Name
0000	1	UNB	M	1	0	Interchange header

Standard			Implementation	
Tag	Name	St Format	St Format	Usage / Remark
UNB				
S001	Syntax identifier	M	M	
0001	Syntax identifier	M a4	M a4	UNOA UN/EDC level A 1 Version 1
0002	Syntax version number	M n1	M n1	
S002	Interchange sender	M	M	
0004	Sender identification	M an..35	M an..35	
0007	Partner identification code qualifier	C an..4	C an..4	ZZ
0008	Address for reverse routing	C an..14	N	Not used
S003	Interchange recipient	M	M	
0010	Recipient identification	M an..35	M an..35	
0007	Partner identification code qualifier	C an..4	C an..4	ZZ
0014	Routing address	C an..14	C an..14	
S004	Date/time of preparation	M	M	
0017	Date of preparation	M n6	M n6	
0019	Time of preparation	M n4	M n4	
0020	Interchange control reference	M an..14	M an..14	
S005	Recipient's reference, password	C	N	
0022	Recipient's reference/password	M an..14	N	Not used
0025	Recipient's reference/password qualifier	C an2	N	Not used
0026	Application reference	C an..14	C an..14	
0029	Processing priority code	C a1	N	Not used
0031	Acknowledgement request	C n1	N	Not used
0032	Communications agreement ID	C an..35	N	Not used
0035	Test indicator	C n1	N	Not used

Remark:

The details of the UNB segment will be described in the Memorandum of Understanding (MoU) document between WWL and the Trading Partner.

Example:

No = Consecutive segment number
 MaxOcc = Maximum occurrence of the segment/group
 Counter = Counter of segment/group within the standard

St = Status (M=Mandatory, R=Required, C=Conditional,
 O=Optional, F=Floating, D=Dependent, A=Advised,
 S=Situational, X=Not used, N=Not recommended)

Example

Guide IFTSTA_D03; UN D.03A S3

Counter	No	Tag	St	MaxOcc	Level	Name
0010	2	UNH	M	1	0	Message header

Standard			Implementation	
Tag	Name	St Format	St Format	Usage / Remark
UNH				
0062	Message reference number	M an..14	M an..14	
S009	Message identifier	M	M	
0065	Message type	M an..6	M an..6	IFTSTA International multimodal status report message
0052	Message version number	M an..3	M an..3	D Draft version/UN/EDIFACT Directory
0054	Message release number	M an..3	M an..3	03B
0051	Controlling agency	M an..2	M an..2	UN UN/CEFACT
0057	Association assigned code	C an..6	N	Not used
0068	Common access reference	C an..35	N	Not used
S010	Status of the transfer	C	N	
0070	Sequence of transfers	M n..2	N	Not used
0073	First and last transfer	C a1	N	Not used

Remark:

Example:

No = Consecutive segment number
 MaxOcc = Maximum occurrence of the segment/group
 Counter = Counter of segment/group within the standard

St = Status (M=Mandatory, R=Required, C=Conditional, O=Optional, F=Floating, D=Dependent, A=Advised, S=Situational, X=Not used, N=Not recommended)

Example

Guide IFTSTA_D03; UN D.03A S3

UNH+5720+IFTSTA:D:03B:UN'	Counter	No	Tag	St	MaxOcc Level	Name
0020	3	BGM	M	1	0	Beginning of message

		Standard	Implementation	
Tag	Name	St Format	St Format	Usage / Remark
BGM				
C002	Document/message name	C	C	
1001	Document name code	C an..3	C an..3	44 Transport status report
1131	Code list identification code	C an..17	N	Not used
3055	Code list responsible agency code	C an..3	N	Not used
1000	Document name	C an..35	N	Not used
C106	Document/message identification	C	C	
1004	Document identifier	C an..35	C an..35	
1056	Version identifier	C an..9	N	Not used
1060	Revision identifier	C an..6	N	Not used
1225	Message function code	C an..3	C an..3	8 Status
4343	Response type code	C an..3	N	Not used

Remark:

Example:

BGM+44+0001405947901716+8'

No = Consecutive segment number
 MaxOcc = Maximum occurrence of the segment/group
 Counter = Counter of segment/group within the standard

St = Status (M=Mandatory, R=Required, C=Conditional, O=Optional, F=Floating, D=Dependent, A=Advised, S=Situational, X=Not used, N=Not recommended)

Example

Guide IFTSTA_D03; UN D.03A S3

Counter	No	Tag	St	MaxOcc	Level	Name
0030	4	DTM	C	9	1	Date/time/period

Standard			Implementation	
Tag	Name	St Format	St Format	Usage / Remark
DTM				
C507	Date/time/period	M	M	
2005	Date or time or period function code qualifier	M an..3	M an..3	137 Document/message date/time
2380	Date or time or period text	C an..35	C an..35	
2379	Date or time or period format code	C an..3	C an..3	204 CCYYMMDDHHMMSS

Remark:

This is the Date/Time of the creation of this EDI message

Example:

DTM+137:20140721150501:204'

No = Consecutive segment number
 MaxOcc = Maximum occurrence of the segment/group
 Counter = Counter of segment/group within the standard

St = Status (M=Mandatory, R=Required, C=Conditional, O=Optional, F=Floating, D=Dependent, A=Advised, S=Situational, X=Not used, N=Not recommended)

Example

Guide IFTSTA_D03; UN D.03A S3

Counter	No	Tag	St	MaxOcc	Level	Name
0160		SG4	C	99999	1	CNI-LOC-SG5
0170	5	CNI	M	1	1	Consignment information

Standard			Implementation	
Tag	Name	St Format	St Format	Usage / Remark
CNI				
1490	Consolidation item number	C n..4	C n..4	
C503	Document/message details	C	N	
1004	Document identifier	C an..35	N	Not used
1373	Document status code	C an..3	N	Not used
1366	Document source description	C an..70	N	Not used
3453	Language name code	C an..3	N	Not used
1056	Version identifier	C an..9	N	Not used
1060	Revision identifier	C an..6	N	Not used
1312	Consignment load sequence identifier	C n..4	N	Not used

Remark:

Example:
CNI+1'

No = Consecutive segment number
 MaxOcc = Maximum occurrence of the segment/group
 Counter = Counter of segment/group within the standard

St = Status (M=Mandatory, R=Required, C=Conditional, O=Optional, F=Floating, D=Dependent, A=Advised, S=Situational, X=Not used, N=Not recommended)

Example

Guide IFTSTA_D03; UN D.03A S3

Counter	No	Tag	St	MaxOcc	Level	Name
0160		SG4	C	99999	1	CNI-LOC-SG5
0180	6	LOC	C	9	2	Place/location identification

Standard			Implementation	
Tag	Name	St Format	St Format	Usage / Remark
LOC				
3227	Location function code qualifier	M an..3	M an..3	11 Place/port of discharge 11 Place/port of discharge
C517	Location identification	C	C	
3225	Location name code	C an..35	C an..35	
1131	Code list identification code	C an..17	N	Not used
3055	Code list responsible agency code	C an..3	N	Not used
3224	Location name	C an..256	C an..256	
C519	Related location one identification	C	N	
3223	First related location name code	C an..25	N	Not used
1131	Code list identification code	C an..17	N	Not used
3055	Code list responsible agency code	C an..3	N	Not used
3222	First related location name	C an..70	N	Not used
C553	Related location two identification	C	N	
3233	Second related location name code	C an..25	N	Not used
1131	Code list identification code	C an..17	N	Not used
3055	Code list responsible agency code	C an..3	N	Not used
3232	Second related location name	C an..70	N	Not used
5479	Relation code	C an..3	N	Not used

Remark:

Only used if all units of this consignment are having the same place/location. Otherwise, group the units per place/location in SG9.

Example:

LOC+11+DEMHG::MANNHEIM'

No = Consecutive segment number
 MaxOcc = Maximum occurrence of the segment/group
 Counter = Counter of segment/group within the standard

St = Status (M=Mandatory, R=Required, C=Conditional, O=Optional, F=Floating, D=Dependent, A=Advised, S=Situational, X=Not used, N=Not recommended)

Example

Guide IFTSTA_D03; UN D.03A S3

Counter	No	Tag	St	MaxOcc	Level	Name
0200		SG5	M	99	2	STS-DTM-SG8-SG14
0210	7	STS	M	1	2	Status

Standard			Implementation	
Tag	Name	St Format	St Format	Usage / Remark
STS				
C601	Status category	C	C	
9015	Status category code	M an..3	M an..3	1 Transport
1131	Code list identification code	C an..17	N	Not used
3055	Code list responsible agency code	C an..3	N	Not used
C555	Status	C	C	
4405	Status description code	M an..3	M an..3	74 Expiry date exceeded 29 Debit
1131	Code list identification code	C an..17	N	Not used
3055	Code list responsible agency code	C an..3	N	Not used
4404	Status description	C an..35	N	Not used
C556	Status reason	C	N	
9013	Status reason description code	M an..3	N	Not used
1131	Code list identification code	C an..17	N	Not used
3055	Code list responsible agency code	C an..3	N	Not used
9012	Status reason description	C an..256	N	Not used
C556	Status reason	C	N	
9013	Status reason description code	M an..3	N	Not used
1131	Code list identification code	C an..17	N	Not used
3055	Code list responsible agency code	C an..3	N	Not used
9012	Status reason description	C an..256	N	Not used
C556	Status reason	C	N	
9013	Status reason description code	M an..3	N	Not used
1131	Code list identification code	C an..17	N	Not used
3055	Code list responsible agency code	C an..3	N	Not used
9012	Status reason description	C an..256	N	Not used
C556	Status reason	C	N	
9013	Status reason description code	M an..3	N	Not used
1131	Code list identification code	C an..17	N	Not used
3055	Code list responsible agency code	C an..3	N	Not used
9012	Status reason description	C an..256	N	Not used
C556	Status reason	C	N	
9013	Status reason description code	M an..3	N	Not used
1131	Code list identification code	C an..17	N	Not used
3055	Code list responsible agency code	C an..3	N	Not used
9012	Status reason description	C an..256	N	Not used

Remark:

Example:
STS+1+74'

No = Consecutive segment number
MaxOcc = Maximum occurrence of the segment/group
Counter = Counter of segment/group within the standard

St = Status (M=Mandatory, R=Required, C=Conditional, O=Optional, F=Floating, D=Dependent, A=Advised, S=Situational, X=Not used, N=Not recommended)

Example

Guide IFTSTA_D03; UN D.03A S3

Counter	No	Tag	St	MaxOcc	Level	Name
0200		SG5	M	99	2	STS-DTM-SG8-SG14
0230	8	DTM	C	9	3	Date/time/period

Standard			Implementation	
Tag	Name	St Format	St Format	Usage / Remark
DTM				
C507	Date/time/period	M	M	
2005	Date or time or period function code qualifier	M an..3	M an..3	78 Event date/time/period, actual 78 Event date/time/period, actual
2380	Date or time or period text	C an..35	C an..35	
2379	Date or time or period format code	C an..3	C an..3	204 CCYYMMDDHHMMSS 204 CCYYMMDDHHMMSS

Remark:

OCEAN: Not applicable if status is "Booked" (STS-C555-4405 = 6).

Example:

DTM+78:20140721150400:204'

No = Consecutive segment number
 MaxOcc = Maximum occurrence of the segment/group
 Counter = Counter of segment/group within the standard

St = Status (M=Mandatory, R=Required, C=Conditional, O=Optional, F=Floating, D=Dependent, A=Advised, S=Situational, X=Not used, N=Not recommended)

Example

Guide IFTSTA_D03; UN D.03A S3

Counter	No	Tag	St	MaxOcc	Level	Name
0330		SG8	C	99	3	TDT
0340	9	TDT	M	1	3	Transport information

Standard			Implementation	
Tag	Name	St Format	St Format	Usage / Remark
TDT				
8051	Transport stage code qualifier	M an..3	M an..3	10 Pre-carriage transport 20 Main-carriage transport
8028	Means of transport journey identifier	C an..17	C an..17	
C220	Mode of transport	C	C	
8067	Transport mode name code	C an..3	C an..3	3 Road transport 10 Maritime transport
8066	Transport mode name	C an..17	N	Not used
C001	Transport means	C	N	
8179	Transport means description code	C an..8	N	Not used
1131	Code list identification code	C an..17	N	Not used
3055	Code list responsible agency code	C an..3	N	Not used
8178	Transport means description	C an..17	N	Not used
C040	Carrier	C	N	
3127	Carrier identifier	C an..17	N	Not used
1131	Code list identification code	C an..17	N	Not used
3055	Code list responsible agency code	C an..3	N	Not used
3128	Carrier name	C an..35	N	Not used
8101	Transit direction indicator code	C an..3	N	Not used
C401	Excess transportation information	C	N	
8457	Excess transportation reason code	M an..3	N	Not used
8459	Excess transportation responsibility code	M an..3	N	Not used
7130	Customer shipment authorisation identifier	C an..17	N	Not used
C222	Transport identification	C	N	
8213	Transport means identification name identifier	C an..9	N	Not used
1131	Code list identification code	C an..17	N	Not used
3055	Code list responsible agency code	C an..3	N	Not used
8212	Transport means identification name	C an..35	N	Not used
8453	Transport means nationality code	C an..3	N	Not used
8281	Transport means ownership indicator code	C an..3	N	Not used

Remark:

Example:

TDT+10+CA428-TRS+3'

No = Consecutive segment number
 MaxOcc = Maximum occurrence of the segment/group
 Counter = Counter of segment/group within the standard

St = Status (M=Mandatory, R=Required, C=Conditional, O=Optional, F=Floating, D=Dependent, A=Advised, S=Situational, X=Not used, N=Not recommended)

Example

Guide IFTSTA_D03; UN D.03A S3

Counter	No	Tag	St	MaxOcc	Level	Name
0570		SG14	C	99	3	GID-SG17
0580	10	GID	M	1	3	Goods item details

Standard			Implementation	
Tag	Name	St Format	St Format	Usage / Remark
GID				
1496	Goods item number	C n..5	C n..5	
C213	Number and type of packages	C	N	
7224	Package quantity	C n..8	N	Not used
7065	Package type description code	C an..17	N	Not used
1131	Code list identification code	C an..17	N	Not used
3055	Code list responsible agency code	C an..3	N	Not used
7064	Type of packages	C an..35	N	Not used
7233	Packaging related description code	C an..3	N	Not used
C213	Number and type of packages	C	N	
7224	Package quantity	C n..8	N	Not used
7065	Package type description code	C an..17	N	Not used
1131	Code list identification code	C an..17	N	Not used
3055	Code list responsible agency code	C an..3	N	Not used
7064	Type of packages	C an..35	N	Not used
7233	Packaging related description code	C an..3	N	Not used
C213	Number and type of packages	C	N	
7224	Package quantity	C n..8	N	Not used
7065	Package type description code	C an..17	N	Not used
1131	Code list identification code	C an..17	N	Not used
3055	Code list responsible agency code	C an..3	N	Not used
7064	Type of packages	C an..35	N	Not used
7233	Packaging related description code	C an..3	N	Not used
C213	Number and type of packages	C	N	
7224	Package quantity	C n..8	N	Not used
7065	Package type description code	C an..17	N	Not used
1131	Code list identification code	C an..17	N	Not used
3055	Code list responsible agency code	C an..3	N	Not used
7064	Type of packages	C an..35	N	Not used
7233	Packaging related description code	C an..3	N	Not used

Remark:

No = Consecutive segment number
 MaxOcc = Maximum occurrence of the segment/group
 Counter = Counter of segment/group within the standard

St = Status (M=Mandatory, R=Required, C=Conditional, O=Optional, F=Floating, D=Dependent, A=Advised, S=Situational, X=Not used, N=Not recommended)

Example

Guide IFTSTA_D03; UN D.03A S3



Example:
GID+1'

No = Consecutive segment number
MaxOcc = Maximum occurrence of the segment/group
Counter = Counter of segment/group within the standard

St = Status (M=Mandatory, R=Required, C=Conditional,
O=Optional, F=Floating, D=Dependent, A=Advised,
S=Situational, X=Not used, N=Not recommended)

Example

Guide IFTSTA_D03; UN D.03A S3

Counter	No	Tag	St	MaxOcc	Level	Name
0690		SG17	C	99	4	PCI-GIN
0700	11	PCI	M	1	4	Package identification

Standard			Implementation	
Tag	Name	St Format	St Format	Usage / Remark
PCI				
4233	Marking instructions code	C an..3	C an..3	ZZZ Mutually defined ZZZ Mutually defined
C210	Marks & labels	C	N	
7102	Shipping marks description	M an..35	N	Not used
7102	Shipping marks description	C an..35	N	Not used
7102	Shipping marks description	C an..35	N	Not used
7102	Shipping marks description	C an..35	N	Not used
7102	Shipping marks description	C an..35	N	Not used
7102	Shipping marks description	C an..35	N	Not used
7102	Shipping marks description	C an..35	N	Not used
7102	Shipping marks description	C an..35	N	Not used
7102	Shipping marks description	C an..35	N	Not used
7102	Shipping marks description	C an..35	N	Not used
8275	Container or package contents indicator code	C an..3	N	Not used
C827	Type of marking	C	N	
7511	Marking type code	M an..3	N	Not used
1131	Code list identification code	C an..17	N	Not used
3055	Code list responsible agency code	C an..3	N	Not used

Remark:

Example:
PCI+ZZZ'

No = Consecutive segment number
 MaxOcc = Maximum occurrence of the segment/group
 Counter = Counter of segment/group within the standard

St = Status (M=Mandatory, R=Required, C=Conditional, O=Optional, F=Floating, D=Dependent, A=Advised, S=Situational, X=Not used, N=Not recommended)

Example

Guide IFTSTA_D03; UN D.03A S3

Counter	No	Tag	St	MaxOcc	Level	Name
0690		SG17	C	99	4	PCI-GIN
0710	12	GIN	C	9999	5	Goods identity number

Standard			Implementation	
Tag	Name	St Format	St Format	Usage / Remark
GIN				
7405	Object identification code qualifier	M an..3	M an..3	CN Chassis number CN Chassis number
C208	Identity number range	M	M	
7402	Object identifier	M an..35	M an..35	
7402	Object identifier	C an..35	C an..35	
C208	Identity number range	C	C	
7402	Object identifier	M an..35	M an..35	
7402	Object identifier	C an..35	N	Not used
C208	Identity number range	C	N	
7402	Object identifier	M an..35	N	Not used
7402	Object identifier	C an..35	N	Not used
C208	Identity number range	C	N	
7402	Object identifier	M an..35	N	Not used
7402	Object identifier	C an..35	N	Not used
C208	Identity number range	C	N	
7402	Object identifier	M an..35	N	Not used
7402	Object identifier	C an..35	N	Not used

Remark:

Example:

GIN+CN+08566215:1L06125REEP805918+0004351492'

No = Consecutive segment number
 MaxOcc = Maximum occurrence of the segment/group
 Counter = Counter of segment/group within the standard

St = Status (M=Mandatory, R=Required, C=Conditional, O=Optional, F=Floating, D=Dependent, A=Advised, S=Situational, X=Not used, N=Not recommended)

Example

Guide IFTSTA_D03; UN D.03A S3

Counter	No	Tag	St	MaxOcc	Level	Name
0720	13	UNT	M	1	0	Message trailer

		Standard	Implementation	
Tag	Name	St Format	St Format	Usage / Remark
UNT				
0074	Number of segments in the message	M n..6	M n..6	
0062	Message reference number	M an..14	M an..14	

Remark:

Example:

UNT+20+5720'

No = Consecutive segment number
 MaxOcc = Maximum occurrence of the segment/group
 Counter = Counter of segment/group within the standard

St = Status (M=Mandatory, R=Required, C=Conditional, O=Optional, F=Floating, D=Dependent, A=Advised, S=Situational, X=Not used, N=Not recommended)

Example

Guide IFTSTA_D03; UN D.03A S3

Counter	No	Tag	St	MaxOcc	Level	Name
0000	14	UNZ	M	1	0	Interchange trailer

Standard			Implementation	
Tag	Name	St Format	St Format	Usage / Remark
UNZ				
0036	Interchange control count	M n..6	M n..6	
0020	Interchange control reference	M an..14	M an..14	

Remark:

Example:

UNZ+1+436337'

No = Consecutive segment number
 MaxOcc = Maximum occurrence of the segment/group
 Counter = Counter of segment/group within the standard

St = Status (M=Mandatory, R=Required, C=Conditional, O=Optional, F=Floating, D=Dependent, A=Advised, S=Situational, X=Not used, N=Not recommended)

Example Message:

UNB+UNOA:1+WWL-LLP:ZZ+O0013000059DEERE:ZZ:JDMANSTALLP+140722:0158+436
 337++IFTSTA'
 UNH+5720+IFTSTA:D:03B:UN'
 BGM+44+0001405947901716+8'
 DTM+137:20140721150501:204'
 CNI+1'
 LOC+11+DEMHG:::MANNHEIM'
 STS+1+74'
 DTM+78:20140721150400:204'
 TDT+10++3'
 GID+1'
 PCI+ZZZ'
 GIN+CN+08566215:1L06125REEP805918+0004351492'
 CNI+1'
 LOC+11+CAHAL:::HALIFAX'
 STS+1+29'
 DTM+78:20140721203934:204'
 TDT+20+CA428-TRS+10'
 GID+1'
 PCI+ZZZ'
 GIN+CN+73553333:1L06125RVEK804386+0004216288'
 UNT+20+5720'
 UNZ+1+436337'