



JOHN DEERE

Message Implementation Guideline

ORDERS D07A

based on

ORDERS

Purchase order message

UN D.07A S3

Table of Contents

1 Changelog.....	3
2 Introduction.....	4
3 Message Structure	5
4 Branching Diagram	7
5 Segments	15
6 Example Message.....	59

Changelog

Release	Date	Changes / Comments
1.0	2020-04-01	First Release

Introduction

A message specifying details for goods or services ordered under conditions agreed between the seller and the buyer.

Notes:

ORDERS Business process narrative - John Deere as the customer

This transaction is used to communicate the procurement of production, indirect materials, or services. The ORDERS Purchase Order transaction set is a stand-alone document that is used when there is not a blanket order relationship. This transaction communicates the part numbers, prices, due or ship dates, item description information and associated quantities needed by the customer location. Also included are Ship To locations, Bill To information, and any other information required for delivery. This transaction does not allow forecast data. All dates and quantities are firm and should be delivered based on the agreed window around the due or ship date.

Message Structure

Counter	No	Tag	St	MaxOcc	Level	Content
0000	1	UNA	C	1	0	Service string advice
0000	2	UNB	M	1	0	Interchange header
0010	3	UNH	M	1	0	Message header
0020	4	BGM	M	1	0	Beginning of message
0030	5	DTM	M	35	1	Date/time/period
0090		SG1	C	9999	1	RFF
0100	6	RFF	M	1	1	Reference
0090		SG1	C	9999	1	RFF
0100	7	RFF	M	1	1	Reference
0090		SG1	C	9999	1	RFF
0100	8	RFF	M	1	1	Reference
0090		SG1	C	9999	1	RFF
0100	9	RFF	M	1	1	Reference
0090		SG1	C	9999	1	RFF
0100	10	RFF	M	1	1	Reference
0120		SG2	C	99	1	NAD-SG3
0130	11	NAD	M	1	1	Name and address
0160		SG3	C	99	2	RFF
0170	12	RFF	M	1	2	Reference
0120		SG2	C	99	1	NAD-SG3-SG3
0130	13	NAD	M	1	1	Name and address
0160		SG3	C	99	2	RFF
0170	14	RFF	M	1	2	Reference
0160		SG3	C	99	2	RFF
0170	15	RFF	M	1	2	Reference
0120		SG2	C	99	1	NAD-SG3
0130	16	NAD	M	1	1	Name and address
0160		SG3	C	99	2	RFF
0170	17	RFF	M	1	2	Reference
0120		SG2	C	99	1	NAD-SG3
0130	18	NAD	M	1	1	Name and address
0160		SG3	C	99	2	RFF
0170	19	RFF	M	1	2	Reference
0120		SG2	C	99	1	NAD-SG3-SG3
0130	20	NAD	M	1	1	Name and address
0160		SG3	C	99	2	RFF
0170	21	RFF	M	1	2	Reference
0160		SG3	C	99	2	RFF

Counter = Counter of segment/group within the standard
 No = Consecutive segment number
 MaxOcc = Maximum occurrence of the segment/group

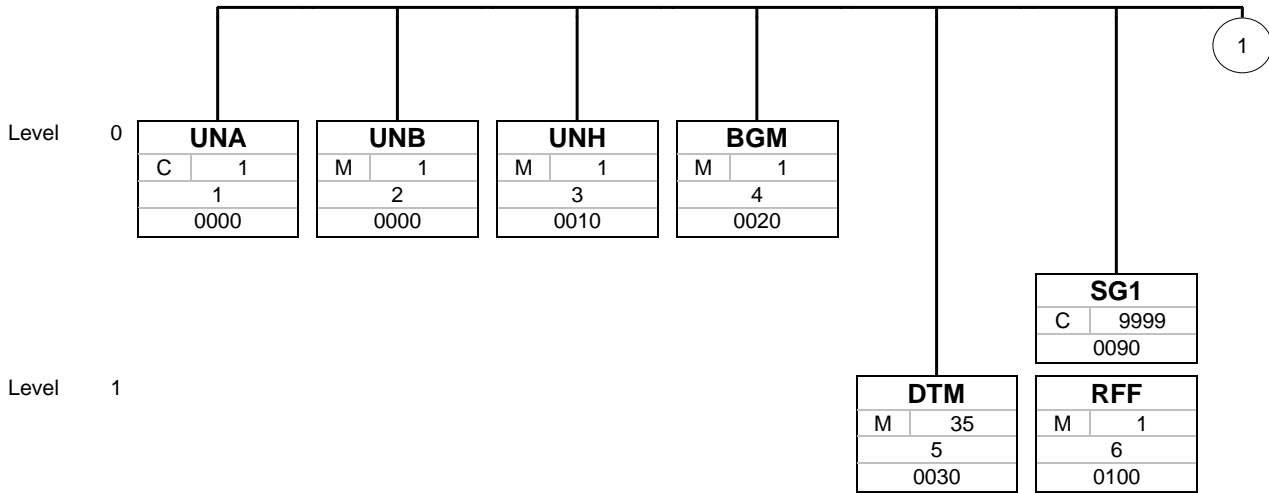
St = Status
 EDIFACT: M=Mandatory, C=Conditional
 User specific: R=Required, O=Optional, D=Dependent,
 A=Advised, N=Not used

Counter	No	Tag	St	MaxOcc	Level	Content
0170	22	RFF	M	1	2	Reference
0410		SG10	C	10	1	TDT
0420	23	TDT	M	1	1	Transport information
0460		SG12	C	5	1	TOD
0470	24	TOD	M	1	1	Terms of delivery or transport
1100		SG29	C	200000	1	LIN-PIA-IMD-QTY-DTM-MOA
1110	25	LIN	M	1	1	Line item
1120	26	PIA	C	25	2	Additional product id
1130	27	IMD	C	99	2	Item description
1150	28	QTY	C	99	2	Quantity
1180	29	DTM	C	35	2	Date/time/period
1190	30	MOA	C	10	2	Monetary amount
1100		SG29	C	200000	1	LIN-PIA-IMD-QTY-DTM-MOA
1110	31	LIN	M	1	1	Line item
1120	32	PIA	C	25	2	Additional product id
1130	33	IMD	C	99	2	Item description
1150	34	QTY	C	99	2	Quantity
1180	35	DTM	C	35	2	Date/time/period
1190	36	MOA	C	10	2	Monetary amount
2490	37	UNS	M	1	0	Section control
2510	38	CNT	C	10	1	Control total
2560	39	UNT	M	1	0	Message trailer
0000	40	UNZ	M	1	0	Interchange trailer

Counter = Counter of segment/group within the standard
 No = Consecutive segment number
 MaxOcc = Maximum occurrence of the segment/group

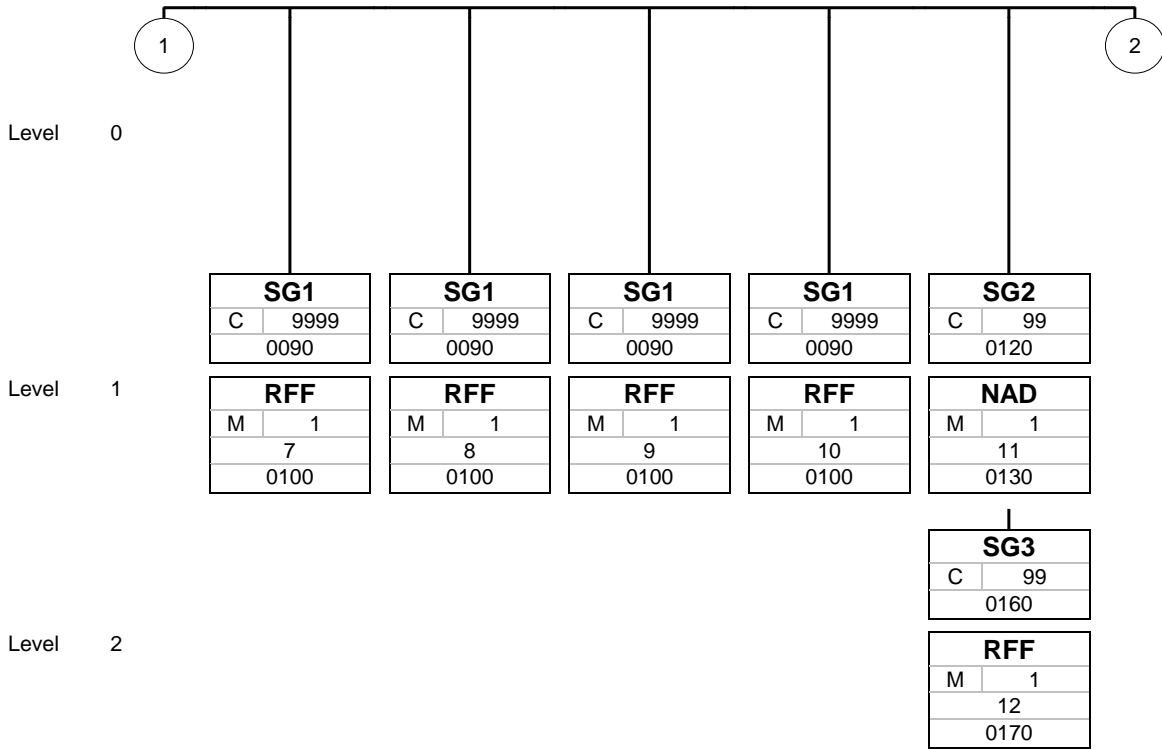
St = Status
 EDIFACT: M=Mandatory, C=Conditional
 User specific: R=Required, O=Optional, D=Dependent,
 A=Advised, N=Not used

Branching Diagram of Used Segments/Groups



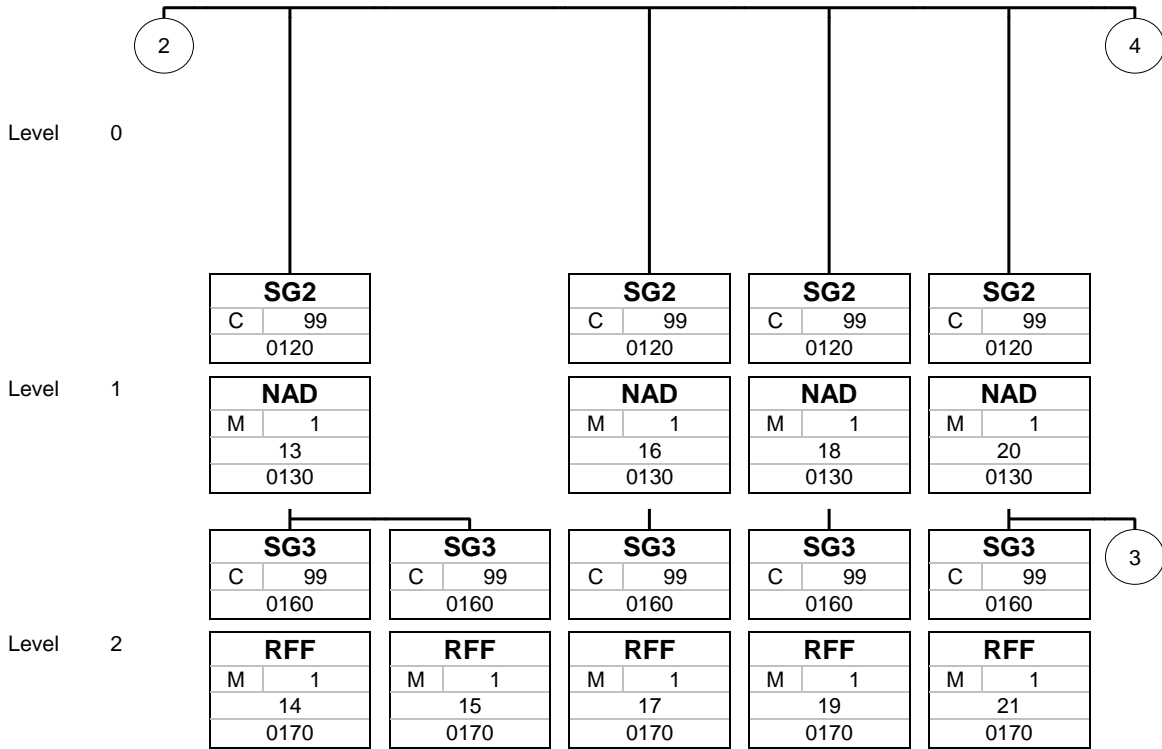
Tag
St MaxOcc
No
Counter

Tag = Segment/Group Tag
 St = Status (M=Mandatory, C=Conditional, R=Required, O=Optional, A=Advised, D=Dependent)
 MaxOcc = Maximum occurrence of the segment/group
 No = Consecutive segment number
 Counter = Counter of segment/group within the standard



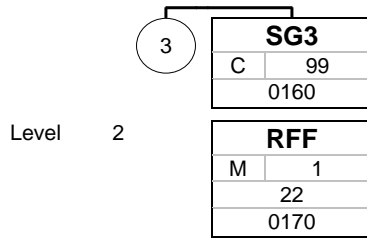
Tag
St MaxOcc
No
Counter

Tag = Segment/Group Tag
 St = Status (M=Mandatory, C=Conditional, R=Required, O=Optional, A=Advised, D=Dependent)
 MaxOcc = Maximum occurrence of the segment/group
 No = Consecutive segment number
 Counter = Counter of segment/group within the standard



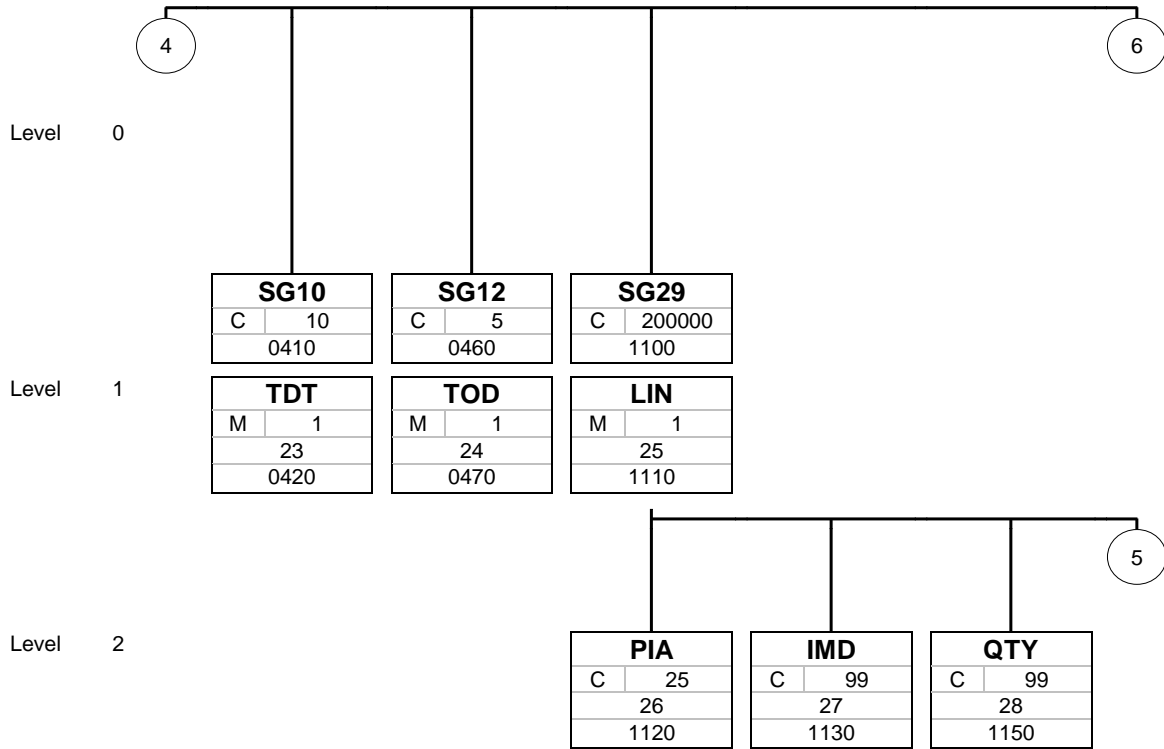
Tag
St MaxOcc
No
Counter

Tag = Segment/Group Tag
 St = Status (M=Mandatory, C=Conditional, R=Required, O=Optional, A=Advised, D=Dependent)
 MaxOcc = Maximum occurrence of the segment/group
 No = Consecutive segment number
 Counter = Counter of segment/group within the standard



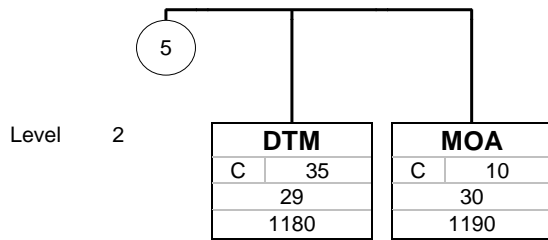
Tag
St MaxOcc
No
Counter

Tag = Segment/Group Tag
 St = Status (M=Mandatory, C=Conditional, R=Required, O=Optional, A=Advised, D=Dependent)
 MaxOcc = Maximum occurrence of the segment/group
 No = Consecutive segment number
 Counter = Counter of segment/group within the standard



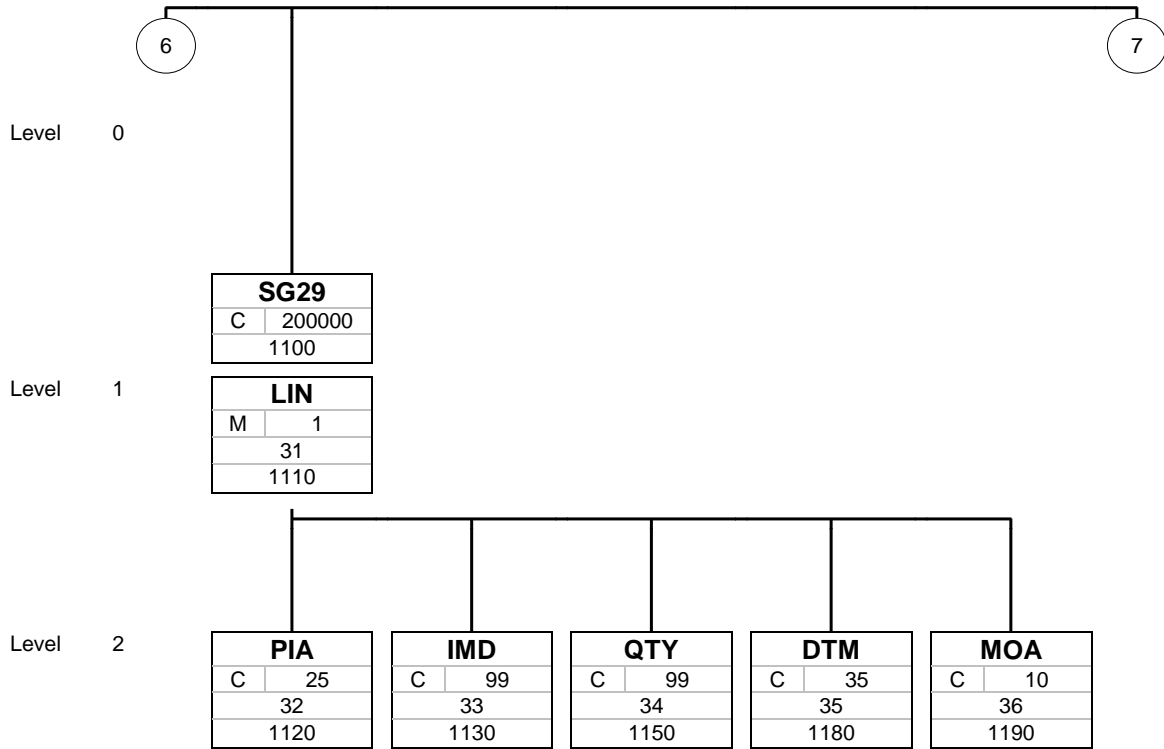
Tag
St MaxOcc
No
Counter

Tag = Segment/Group Tag
 St = Status (M=Mandatory, C=Conditional, R=Required, O=Optional, A=Advised, D=Dependent)
 MaxOcc = Maximum occurrence of the segment/group
 No = Consecutive segment number
 Counter = Counter of segment/group within the standard



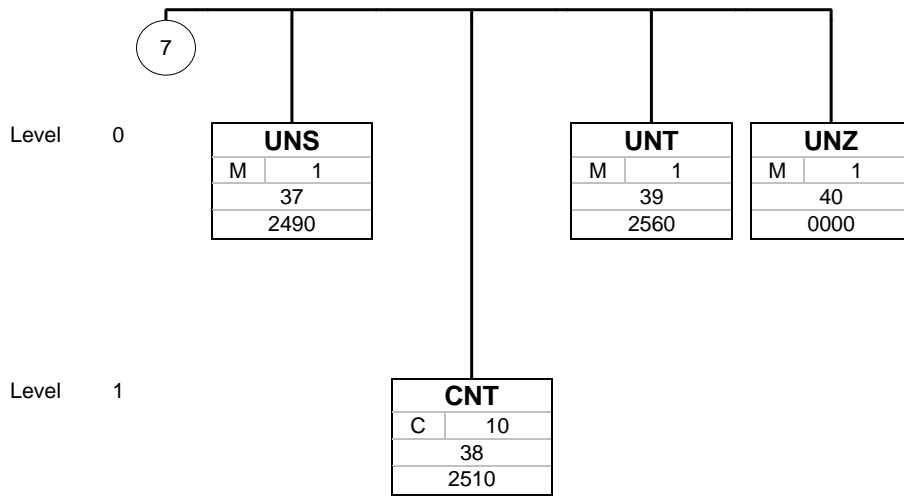
Tag
St MaxOcc
No
Counter

Tag = Segment/Group Tag
 St = Status (M=Mandatory, C=Conditional, R=Required, O=Optional, A=Advised, D=Dependent)
 MaxOcc = Maximum occurrence of the segment/group
 No = Consecutive segment number
 Counter = Counter of segment/group within the standard



Tag
St MaxOcc
No
Counter

Tag = Segment/Group Tag
 St = Status (M=Mandatory, C=Conditional, R=Required, O=Optional, A=Advised, D=Dependent)
 MaxOcc = Maximum occurrence of the segment/group
 No = Consecutive segment number
 Counter = Counter of segment/group within the standard



Tag
St MaxOcc
No
Counter

Tag = Segment/Group Tag
 St = Status (M=Mandatory, C=Conditional, R=Required, O=Optional, A=Advised, D=Dependent)
 MaxOcc = Maximum occurrence of the segment/group
 No = Consecutive segment number
 Counter = Counter of segment/group within the standard

Segments

Counter	No	Tag	St	MaxOcc	Level	Name
---------	----	-----	----	--------	-------	------

0000	1	UNA	C	1	0	Service string advice
------	---	------------	---	---	---	-----------------------

Standard			Implementation		
Tag	Name	St Format	JD Format	Usage / Remark	
UNA					
UNA1	Component data element separator	M an1	M an1	:	
UNA2	Data element separator	M an1	M an1	+	
UNA3	Decimal notation	M an1	M an1	.	
UNA4	Release indicator	M an1	M an1	?	
UNA5	Reserved for future use	M an1	M an1		
UNA6	Segment terminator	M an1	M an1	'	

Remark:

Example:

UNA:+.? '

No = Consecutive segment number
 MaxOcc = Maximum occurrence of the segment/group
 Counter = Counter of segment/group within the standard

St = Status
 EDIFACT: M=Mandatory, C=Conditional
 User specific: R=Required, O=Optional, D=Dependent,
 A=Advised, N=Not used

Counter	No	Tag	St	MaxOcc	Level	Name
---------	----	-----	----	--------	-------	------

0000 2 **UNB** M 1 0 Interchange header

Standard			Implementation	
Tag	Name	St Format	JD Format	Usage / Remark
UNB				
S001		M	M	
0001	Syntax identifier	M a4	M a4	UNOC UNOC UN/EDC level C
0002	Syntax version number	M n1	M n1	2 2 Version 2
S002		M	M	
0004	Sender identification	M an..35	M an..35	SENDERID <i>SENDERID ID of the sender in the data transmission network or system, provided by John Deere JDEUROUSB (VAN), 00013000059DEERE (AS2, OFTP2)</i>
0007	Partner identification code qualifier	C an..4	C an..4	ZZ ZZ
0008	Address for reverse routing	C an..14	C an..14	S_ADDR <i>Unit Code e.g. 4900, 3200, AG00 etc.</i>
S003		M	M	
0010	Recipient identification	M an..35	M an..35	RECEIVERID <i>ID of the receiver in the data transmission network or system, provided by the receiver (supplier)</i>
0007	Partner identification code qualifier	C an..4	C an..4	ZZ ZZ
0014	Routing address	C an..14	C an..14	R_ADDR <i>Supplier number defined by John Deere</i>
S004		M	M	
0017	Date of preparation	M n6	M n6	200120
0019	Time of preparation	M n4	M n4	1433
0020	Interchange control reference	M an..14	M an..14	1
S005		C	N	
0022	Recipient's reference/password	M an..14	N	Not used
0025	Recipient's reference/password qualifier	C an2	N	Not used
0026	Application reference	C an..14	C an..14	ORDERS
0029	Processing priority code	C a1	N	Not used
0031	Acknowledgement request	C n1	N	Not used
0032	Communications agreement ID	C an..35	N	Not used
0035	Test indicator	C n1	N	Not used

Remark:
To start, identify and specify an interchange.

Example:
UNB+UNOC:2+SENDERID:ZZ:S_ADDR+RECEIVERID:ZZ:R_ADDR+200120:1433+1++ORDERS'

No = Consecutive segment number
MaxOcc = Maximum occurrence of the segment/group
Counter = Counter of segment/group within the standard

St = Status
EDIFACT: M=Mandatory, C=Conditional
User specific: R=Required, O=Optional, D=Dependent,
A=Advised, N=Not used

Counter	No	Tag	St	MaxOcc	Level	Name
---------	----	-----	----	--------	-------	------

0010	3	UNH	M	1	0	Message header
------	---	------------	---	---	---	----------------

Standard			Implementation		
Tag	Name	St Format	JD Format	Usage / Remark	
UNH					
0062	Message reference number	M an..14	M an..14	1	
S009		M	M		
0065	Message type	M an..6	M an..6	ORDERS	ORDERS Purchase order message
0052	Message version number	M an..3	M an..3	D	D Draft version/UN/EDIFACT Directory
0054	Message release number	M an..3	M an..3	07A	07A Release 2007 - A
0051	Controlling agency	M an..2	M an..2	UN	UN UN/CEFACT
0057	Association assigned code	C an..6	N	Not used	
0068	Common access reference	C an..35	N	Not used	
S010		C	N		
0070	Sequence of transfers	M n..2	N	Not used	
0073	First and last transfer	C a1	N	Not used	

Remark:
To head, identify and specify a message.

Example:
 UNH+1+ORDERS:D:07A:UN'

No = Consecutive segment number
 MaxOcc = Maximum occurrence of the segment/group
 Counter = Counter of segment/group within the standard

St = Status
 EDIFACT: M=Mandatory, C=Conditional
 User specific: R=Required, O=Optional, D=Dependent,
 A=Advised, N=Not used

Counter	No	Tag	St	MaxOcc	Level	Name
---------	----	-----	----	--------	-------	------

0020 4 **BGM** M 1 0 Beginning of message

		Standard	Implementation		
Tag	Name	St Format	JD Format	Usage / Remark	
BGM					
C002		C	C		
1001	Document name code	C an..3	C an..3	105	105 Purchase order
1131	Code list identification code	C an..17	N	Not used	
3055	Code list responsible agency code	C an..3	N	Not used	
1000	Document name	C an..35	C an..35	TS <i>Order type (TS=Stock Order, MD=Mashine Down)</i>	
C106		C	C		
1004	Document identifier	C an..35	C an..35	4500632782 <i>Order Number</i>	
1056	Version identifier	C an..9	N	Not used	
1060	Revision identifier	C an..6	N	Not used	
1225	Message function code	C an..3	C an..3	9	9 Original 1 Cancellation 5 Replace
4343	Response type code	C an..3	N	Not used	

Remark:

To indicate the type and function of a message and to transmit the identifying number.

Example:

BGM+105:::TS+4500632782+9'

No = Consecutive segment number
 MaxOcc = Maximum occurrence of the segment/group
 Counter = Counter of segment/group within the standard

St = Status
 EDIFACT: M=Mandatory, C=Conditional
 User specific: R=Required, O=Optional, D=Dependent,
 A=Advised, N=Not used

Counter	No	Tag	St	MaxOcc	Level	Name
---------	----	-----	----	--------	-------	------

0030	5	DTM	M	35	1	Date/time/period
------	---	------------	---	----	---	------------------

Standard			Implementation		
Tag	Name	St Format	JD Format	Usage / Remark	
DTM					
C507		M	M		
2005	Date or time or period function code qualifier	M an..3	M an..3	4	4 Order document issue date time
2380	Date or time or period text	C an..35	C an..35	20200120	
2379	Date or time or period format code	C an..3	C an..3	102	102 CCYYMMDD

Remark:

Example:

DTM+4:20200120:102'

No = Consecutive segment number
 MaxOcc = Maximum occurrence of the segment/group
 Counter = Counter of segment/group within the standard

St = Status
 EDIFACT: M=Mandatory, C=Conditional
 User specific: R=Required, O=Optional, D=Dependent,
 A=Advised, N=Not used

Counter	No	Tag	St	MaxOcc	Level	Name
0090		SG1	C	9999	1	RFF
0100	6	RFF	M	1	1	Reference

Standard			Implementation	
Tag	Name	St Format	JD Format	Usage / Remark
RFF				
C506		M	M	
1153	Reference code qualifier	M an..3	M an..3	ON
				ON Order document identifier, buyer assigned
1154	Reference identifier	C an..70	C an..70	4500632782
1156	Document line identifier	C an..6	N	Not used
1056	Version identifier	C an..9	N	Not used
1060	Revision identifier	C an..6	N	Not used

Remark:

Example:

RFF+ON: 4500632782 '

No = Consecutive segment number
 MaxOcc = Maximum occurrence of the segment/group
 Counter = Counter of segment/group within the standard

St = Status
 EDIFACT: M=Mandatory, C=Conditional
 User specific: R=Required, O=Optional, D=Dependent,
 A=Advised, N=Not used

Counter	No	Tag	St	MaxOcc	Level	Name
0090		SG1	C	9999	1	RFF
0100	7	RFF	M	1	1	Reference

Standard			Implementation	
Tag	Name	St Format	JD Format	Usage / Remark
RFF				
C506		M	M	
1153	Reference code qualifier	M an..3	M an..3	AAJ
				AAJ Delivery order number
1154	Reference identifier	C an..70	C an..70	2114136
1156	Document line identifier	C an..6	N	Not used
1056	Version identifier	C an..9	N	Not used
1060	Revision identifier	C an..6	N	Not used

Remark:

Example:

RFF+AAJ:2114136'

No = Consecutive segment number
 MaxOcc = Maximum occurrence of the segment/group
 Counter = Counter of segment/group within the standard

St = Status
 EDIFACT: M=Mandatory, C=Conditional
 User specific: R=Required, O=Optional, D=Dependent,
 A=Advised, N=Not used

Counter	No	Tag	St	MaxOcc	Level	Name
0090		SG1	C	9999	1	RFF
0100	8	RFF	M	1	1	Reference

Standard			Implementation	
Tag	Name	St Format	JD Format	Usage / Remark
RFF				
C506		M	M	
1153	Reference code qualifier	M an..3	M an..3	OP
				OP Original purchase order
1154	Reference identifier	C an..70	C an..70	4700269297
1156	Document line identifier	C an..6	N	Not used
1056	Version identifier	C an..9	N	Not used
1060	Revision identifier	C an..6	N	Not used

Remark:

Example:

RFF+OP: 4700269297 '

No = Consecutive segment number
 MaxOcc = Maximum occurrence of the segment/group
 Counter = Counter of segment/group within the standard

St = Status
 EDIFACT: M=Mandatory, C=Conditional
 User specific: R=Required, O=Optional, D=Dependent,
 A=Advised, N=Not used

Counter	No	Tag	St	MaxOcc	Level	Name
0090		SG1	C	9999	1	RFF
0100	9	RFF	M	1	1	Reference

Standard			Implementation	
Tag	Name	St Format	JD Format	Usage / Remark
RFF				
C506		M	M	
1153	Reference code qualifier	M an..3	M an..3	SI SI SID (Shipper's identifying number for shipment)
1154	Reference identifier	C an..70	C an..70	DSO-NL
1156	Document line identifier	C an..6	N	Not used
1056	Version identifier	C an..9	N	Not used
1060	Revision identifier	C an..6	N	Not used

Remark:

Example:

RFF+SI:DSO-NL'

No = Consecutive segment number
 MaxOcc = Maximum occurrence of the segment/group
 Counter = Counter of segment/group within the standard

St = Status
 EDIFACT: M=Mandatory, C=Conditional
 User specific: R=Required, O=Optional, D=Dependent,
 A=Advised, N=Not used

Counter	No	Tag	St	MaxOcc	Level	Name
0090		SG1	C	9999	1	RFF
0100	10	RFF	M	1	1	Reference

Standard			Implementation	
Tag	Name	St Format	JD Format	Usage / Remark
RFF				
C506		M	M	
1153	Reference code qualifier	M an..3	M an..3	ZZZ
				ZZZ Mutually defined reference number
1154	Reference identifier	C an..70	C an..70	2111
1156	Document line identifier	C an..6	N	Not used
1056	Version identifier	C an..9	N	Not used
1060	Revision identifier	C an..6	N	Not used

Remark:

Example:

RFF+ZZZ:2111'

No = Consecutive segment number
 MaxOcc = Maximum occurrence of the segment/group
 Counter = Counter of segment/group within the standard

St = Status
 EDIFACT: M=Mandatory, C=Conditional
 User specific: R=Required, O=Optional, D=Dependent,
 A=Advised, N=Not used

Counter	No	Tag	St	MaxOcc	Level	Name
0120		SG2	C	99	1	NAD-SG3
0130	11	NAD	M	1	1	Name and address

Standard			Implementation	
Tag	Name	St Format	JD Format	Usage / Remark
NAD				
3035	Party function code qualifier	M an..3	M an..3	SE
				SE Seller
C082		C	C	
3039	Party identifier	M an..35	M an..35	SELLER NUMBER
1131	Code list identification code	C an..17	N	Not used
3055	Code list responsible agency code	C an..3	C an..3	92
				92 Assigned by buyer or buyer's agent
C058		C	N	
3124	Name and address description	M an..35	N	Not used
3124	Name and address description	C an..35	N	Not used
3124	Name and address description	C an..35	N	Not used
3124	Name and address description	C an..35	N	Not used
3124	Name and address description	C an..35	N	Not used
C080		C	N	
3036	Party name	M an..35	N	Not used
3036	Party name	C an..35	N	Not used
3036	Party name	C an..35	N	Not used
3036	Party name	C an..35	N	Not used
3036	Party name	C an..35	N	Not used
3045	Party name format code	C an..3	N	Not used
C059		C	N	
3042	Street and number or post office box identifier	M an..35	N	Not used
3042	Street and number or post office box identifier	C an..35	N	Not used
3042	Street and number or post office box identifier	C an..35	N	Not used
3042	Street and number or post office box identifier	C an..35	N	Not used
3164	City name	C an..35	N	Not used
C819		C	N	
3229	Country subdivision identifier	C an..9	N	Not used
1131	Code list identification code	C an..17	N	Not used
3055	Code list responsible agency code	C an..3	N	Not used
3228	Country subdivision name	C an..70	N	Not used
3251	Postal identification code	C an..17	N	Not used
3207	Country identifier	C an..3	N	Not used

Remark:

Example:

NAD+SE+SELLER NUMBER:::92'

No = Consecutive segment number
 MaxOcc = Maximum occurrence of the segment/group
 Counter = Counter of segment/group within the standard

St = Status
 EDIFACT: M=Mandatory, C=Conditional
 User specific: R=Required, O=Optional, D=Dependent,
 A=Advised, N=Not used

Counter	No	Tag	St	MaxOcc	Level	Name
0160		SG3	C	99	2	RFF
0170	12	RFF	M	1	2	Reference

Standard			Implementation	
Tag	Name	St Format	JD Format	Usage / Remark
RFF				
C506		M	M	
1153	Reference code qualifier	M an..3	M an..3	VA VA VAT registration number
1154	Reference identifier	C an..70	C an..70	DE316479592
1156	Document line identifier	C an..6	N	Not used
1056	Version identifier	C an..9	N	Not used
1060	Revision identifier	C an..6	N	Not used

Remark:

Example:

RFF+VA:DE316479592'

No = Consecutive segment number
 MaxOcc = Maximum occurrence of the segment/group
 Counter = Counter of segment/group within the standard

St = Status
 EDIFACT: M=Mandatory, C=Conditional
 User specific: R=Required, O=Optional, D=Dependent,
 A=Advised, N=Not used

Counter	No	Tag	St	MaxOcc	Level	Name
0120		SG2	C	99	1	NAD-SG3
0130	13	NAD	M	1	1	Name and address

Standard			Implementation	
Tag	Name	St Format	JD Format	Usage / Remark
NAD				
3035	Party function code qualifier	M an..3	M an..3	BY BY Buyer
C082		C	C	
3039	Party identifier	M an..35	M an..35	4900 <i>John Deere Unit Code e.g. 4900, 3200, AG00 etc.</i>
1131	Code list identification code	C an..17	N	Not used
3055	Code list responsible agency code	C an..3	C an..3	92
C058		C	C	
3124	Name and address description	M an..35	M an..35	John Deere Walldorf GmbH & Co. KG
3124	Name and address description	C an..35	N	Not used
3124	Name and address description	C an..35	N	Not used
3124	Name and address description	C an..35	N	Not used
3124	Name and address description	C an..35	N	Not used
C080		C	N	
3036	Party name	M an..35	N	Not used
3036	Party name	C an..35	N	Not used
3036	Party name	C an..35	N	Not used
3036	Party name	C an..35	N	Not used
3036	Party name	C an..35	N	Not used
3045	Party name format code	C an..3	N	Not used
C059		C	C	
3042	Street and number or post office box identifier	M an..35	M an..35	Altrottstrasse 31
3042	Street and number or post office box identifier	C an..35	N	Not used
3042	Street and number or post office box identifier	C an..35	N	Not used
3042	Street and number or post office box identifier	C an..35	N	Not used
3164	City name	C an..35	C an..35	Walldorf
C819		C	C	
3229	Country subdivision identifier	C an..9	C an..9	08 08 NL
1131	Code list identification code	C an..17	N	Not used
3055	Code list responsible agency code	C an..3	N	Not used
3228	Country subdivision name	C an..70	N	Not used
3251	Postal identification code	C an..17	C an..17	69190
3207	Country identifier	C an..3	C an..3	DE DE GERMANY NL NETHERLANDS

Remark:

No = Consecutive segment number
 MaxOcc = Maximum occurrence of the segment/group
 Counter = Counter of segment/group within the standard

St = Status
 EDIFACT: M=Mandatory, C=Conditional
 User specific: R=Required, O=Optional, D=Dependent,
 A=Advised, N=Not used



Example:

NAD+BY+4900::92+John Deere Walldorf GmbH & Co. KG++Altrottstrasse 31+Walldorf+08+69190+DE'

No = Consecutive segment number
MaxOcc = Maximum occurrence of the segment/group
Counter = Counter of segment/group within the standard

St = Status
EDIFACT: M=Mandatory, C=Conditional
User specific: R=Required, O=Optional, D=Dependent,
A=Advised, N=Not used

Counter	No	Tag	St	MaxOcc	Level	Name
0160		SG3	C	99	2	RFF
0170	14	RFF	M	1	2	Reference

Standard			Implementation	
Tag	Name	St Format	JD Format	Usage / Remark
RFF				
C506		M	M	
1153	Reference code qualifier	M an..3	M an..3	ARB
				ARB Prior Data Universal Number System (DUNS) number
1154	Reference identifier	C an..70	C an..70	314937209
1156	Document line identifier	C an..6	N	Not used
1056	Version identifier	C an..9	N	Not used
1060	Revision identifier	C an..6	N	Not used

Remark:

Example:

RFF+ARB:314937209'

No = Consecutive segment number
 MaxOcc = Maximum occurrence of the segment/group
 Counter = Counter of segment/group within the standard

St = Status
 EDIFACT: M=Mandatory, C=Conditional
 User specific: R=Required, O=Optional, D=Dependent,
 A=Advised, N=Not used

Counter	No	Tag	St	MaxOcc	Level	Name
0160		SG3	C	99	2	RFF
0170	15	RFF	M	1	2	Reference

Standard			Implementation	
Tag	Name	St Format	JD Format	Usage / Remark
RFF				
C506		M	M	
1153	Reference code qualifier	M an..3	M an..3	VA VA VAT registration number
1154	Reference identifier	C an..70	C an..70	DE316479592
1156	Document line identifier	C an..6	N	Not used
1056	Version identifier	C an..9	N	Not used
1060	Revision identifier	C an..6	N	Not used

Remark:

Example:

RFF+VA:DE316479592'

No = Consecutive segment number
 MaxOcc = Maximum occurrence of the segment/group
 Counter = Counter of segment/group within the standard

St = Status
 EDIFACT: M=Mandatory, C=Conditional
 User specific: R=Required, O=Optional, D=Dependent,
 A=Advised, N=Not used

Counter	No	Tag	St	MaxOcc	Level	Name
0120		SG2	C	99	1	NAD-SG3
0130	16	NAD	M	1	1	Name and address

Standard			Implementation	
Tag	Name	St Format	JD Format	Usage / Remark
NAD				
3035	Party function code qualifier	M an..3	M an..3	IV IV Invoicee
C082		C	C	
3039	Party identifier	M an..35	M an..35	4900 <i>John Deere Unit Code e.g. 4900, 3100, AG00 etc.</i>
1131	Code list identification code	C an..17	N	Not used
3055	Code list responsible agency code	C an..3	C an..3	92 92 Assigned by buyer or buyer's agent
C058		C	C	
3124	Name and address description	M an..35	M an..35	John Deere Walldorf GmbH & Co. KG
3124	Name and address description	C an..35	N	Not used
3124	Name and address description	C an..35	N	Not used
3124	Name and address description	C an..35	N	Not used
3124	Name and address description	C an..35	N	Not used
C080		C	N	
3036	Party name	M an..35	N	Not used
3036	Party name	C an..35	N	Not used
3036	Party name	C an..35	N	Not used
3036	Party name	C an..35	N	Not used
3036	Party name	C an..35	N	Not used
3045	Party name format code	C an..3	N	Not used
C059		C	C	
3042	Street and number or post office box identifier	M an..35	M an..35	Altrottstrasse 31
3042	Street and number or post office box identifier	C an..35	N	Not used
3042	Street and number or post office box identifier	C an..35	N	Not used
3042	Street and number or post office box identifier	C an..35	N	Not used
3164	City name	C an..35	C an..35	Walldorf
C819		C	C	
3229	Country subdivision identifier	C an..9	C an..9	08 08 NL
1131	Code list identification code	C an..17	N	Not used
3055	Code list responsible agency code	C an..3	N	Not used
3228	Country subdivision name	C an..70	N	Not used
3251	Postal identification code	C an..17	C an..17	69190
3207	Country identifier	C an..3	C an..3	DE DE GERMANY NL NETHERLANDS

Remark:

No = Consecutive segment number
 MaxOcc = Maximum occurrence of the segment/group
 Counter = Counter of segment/group within the standard

St = Status
 EDIFACT: M=Mandatory, C=Conditional
 User specific: R=Required, O=Optional, D=Dependent,
 A=Advised, N=Not used



Example:

NAD+IV+4900::92+John Deere Walldorf GmbH & Co. KG++Altrottstrasse 31+Walldorf+08+69190+DE'

No = Consecutive segment number
MaxOcc = Maximum occurrence of the segment/group
Counter = Counter of segment/group within the standard

St = Status
EDIFACT: M=Mandatory, C=Conditional
User specific: R=Required, O=Optional, D=Dependent,
A=Advised, N=Not used

Counter	No	Tag	St	MaxOcc	Level	Name
0160		SG3	C	99	2	RFF
0170	17	RFF	M	1	2	Reference

Standard			Implementation	
Tag	Name	St Format	JD Format	Usage / Remark
RFF				
C506		M	M	
1153	Reference code qualifier	M an..3	M an..3	ARB
				ARB Prior Data Universal Number System (DUNS) number
1154	Reference identifier	C an..70	C an..70	314937209
1156	Document line identifier	C an..6	N	Not used
1056	Version identifier	C an..9	N	Not used
1060	Revision identifier	C an..6	N	Not used

Remark:

Example:

RFF+ARB:314937209'

No = Consecutive segment number
 MaxOcc = Maximum occurrence of the segment/group
 Counter = Counter of segment/group within the standard

St = Status
 EDIFACT: M=Mandatory, C=Conditional
 User specific: R=Required, O=Optional, D=Dependent,
 A=Advised, N=Not used

Counter	No	Tag	St	MaxOcc	Level	Name
0120		SG2	C	99	1	NAD-SG3
DIFFERENT PROCESS DESCRIPTION						
0130	18	NAD	M	1	1	Name and address

Standard			Implementation	
Tag	Name	St Format	JD Format	Usage / Remark
NAD				
3035	Party function code qualifier	M an..3	M an..3	ST
				ST Ship to
C082		C	C	
3039	Party identifier	M an..35	M an..35	4700
				<i>Ship to John Deere Unit Code e.g. 4700, 3100, AG00 etc.</i>
1131	Code list identification code	C an..17	N	Not used
3055	Code list responsible agency code	C an..3	C an..3	92
				92 Assigned by buyer or buyer's agent
C058		C	C	
3124	Name and address description	M an..35	M an..35	JOHN DEERE GMBH & CO KG - EUROPEAN
3124	Name and address description	C an..35	N	Not used
3124	Name and address description	C an..35	N	Not used
3124	Name and address description	C an..35	N	Not used
3124	Name and address description	C an..35	N	Not used
C080		C	C	
3036	Party name	M an..35	M an..35	PARTS DISTRIBUTION CENTER
3036	Party name	C an..35	N	Not used
3036	Party name	C an..35	N	Not used
3036	Party name	C an..35	N	Not used
3036	Party name	C an..35	N	Not used
3045	Party name format code	C an..3	N	Not used
C059		C	C	
3042	Street and number or post office box identifier	M an..35	M an..35	John-Deere-Strasse 2
3042	Street and number or post office box identifier	C an..35	N	Not used
3042	Street and number or post office box identifier	C an..35	N	Not used
3042	Street and number or post office box identifier	C an..35	N	Not used
3164	City name	C an..35	C an..35	Bruchsal
C819		C	C	
3229	Country subdivision identifier	C an..9	C an..9	08
				08 NL
1131	Code list identification code	C an..17	N	Not used
3055	Code list responsible agency code	C an..3	N	Not used
3228	Country subdivision name	C an..70	N	Not used
3251	Postal identification code	C an..17	C an..17	76646

No = Consecutive segment number
 MaxOcc = Maximum occurrence of the segment/group
 Counter = Counter of segment/group within the standard

St = Status
 EDIFACT: M=Mandatory, C=Conditional
 User specific: R=Required, O=Optional, D=Dependent,
 A=Advised, N=Not used

		Standard	Implementation	
Tag	Name	St Format	JD Format	Usage / Remark
3207	Country identifier	C an..3	C an..3	DE NL DE GERMANY NL NETHERLANDS

Remark:
different process description

Example:
NAD+ST+4700::92+JOHN DEERE GMBH & CO KG - EUROPEAN+PARTS DISTRIBUTION CENTER+John-Deere-Strasse 2+Bruchsal+08+76646+DE'

No = Consecutive segment number
MaxOcc = Maximum occurrence of the segment/group
Counter = Counter of segment/group within the standard

St = Status
EDIFACT: M=Mandatory, C=Conditional
User specific: R=Required, O=Optional, D=Dependent,
A=Advised, N=Not used

Counter	No	Tag	St	MaxOcc	Level	Name
0160		SG3	C	99	2	RFF
0170	19	RFF	M	1	2	Reference

Standard			Implementation	
Tag	Name	St Format	JD Format	Usage / Remark
RFF				
C506		M	M	
1153	Reference code qualifier	M an..3	M an..3	ARB
				ARB Prior Data Universal Number System (DUNS) number
1154	Reference identifier	C an..70	C an..70	324322072
1156	Document line identifier	C an..6	N	Not used
1056	Version identifier	C an..9	N	Not used
1060	Revision identifier	C an..6	N	Not used

Remark:

Example:

RFF+ARB:324322072'

No = Consecutive segment number
 MaxOcc = Maximum occurrence of the segment/group
 Counter = Counter of segment/group within the standard

St = Status
 EDIFACT: M=Mandatory, C=Conditional
 User specific: R=Required, O=Optional, D=Dependent,
 A=Advised, N=Not used

Counter	No	Tag	St	MaxOcc	Level	Name
0120		SG2	C	99	1	NAD-SG3
DIFFERENT PROCESS DESCRIPTION						
0130	20	NAD	M	1	1	Name and address

Standard			Implementation	
Tag	Name	St Format	JD Format	Usage / Remark
NAD				
3035	Party function code qualifier	M an..3	M an..3	PO PO Ordering party
C082		C	C	
3039	Party identifier	M an..35	M an..35	4700 <i>Ship to John Deere Unit Code e.g. 4700, 3100, AG00 etc.</i>
1131	Code list identification code	C an..17	N	Not used
3055	Code list responsible agency code	C an..3	C an..3	92 92 Assigned by buyer or buyer's agent
C058		C	C	
3124	Name and address description	M an..35	M an..35	JOHN DEERE GMBH & CO KG - EUROPEAN
3124	Name and address description	C an..35	N	Not used
3124	Name and address description	C an..35	N	Not used
3124	Name and address description	C an..35	N	Not used
3124	Name and address description	C an..35	N	Not used
C080		C	C	
3036	Party name	M an..35	M an..35	PARTS DISTRIBUTION CENTER
3036	Party name	C an..35	N	Not used
3036	Party name	C an..35	N	Not used
3036	Party name	C an..35	N	Not used
3036	Party name	C an..35	N	Not used
3045	Party name format code	C an..3	N	Not used
C059		C	C	
3042	Street and number or post office box identifier	M an..35	M an..35	John-Deere-Strasse 2
3042	Street and number or post office box identifier	C an..35	N	Not used
3042	Street and number or post office box identifier	C an..35	N	Not used
3042	Street and number or post office box identifier	C an..35	N	Not used
3164	City name	C an..35	C an..35	Bruchsal
C819		C	C	
3229	Country subdivision identifier	C an..9	C an..9	08 08 NL
1131	Code list identification code	C an..17	N	Not used
3055	Code list responsible agency code	C an..3	N	Not used
3228	Country subdivision name	C an..70	N	Not used
3251	Postal identification code	C an..17	C an..17	76646

No = Consecutive segment number
 MaxOcc = Maximum occurrence of the segment/group
 Counter = Counter of segment/group within the standard

St = Status
 EDIFACT: M=Mandatory, C=Conditional
 User specific: R=Required, O=Optional, D=Dependent,
 A=Advised, N=Not used

		Standard	Implementation	
Tag	Name	St Format	JD Format	Usage / Remark
3207	Country identifier	C an..3	C an..3	DE NL DE GERMANY NL NETHERLANDS

Remark:
different process description

Example:
NAD+PO+4700::92+JOHN DEERE GMBH & CO KG - EUROPEAN+PARTS DISTRIBUTION CENTER+John-Deere-Strasse 2+Bruchsal+08+76646+DE'

No = Consecutive segment number
MaxOcc = Maximum occurrence of the segment/group
Counter = Counter of segment/group within the standard

St = Status
EDIFACT: M=Mandatory, C=Conditional
User specific: R=Required, O=Optional, D=Dependent,
A=Advised, N=Not used

Counter	No	Tag	St	MaxOcc	Level	Name
0160		SG3	C	99	2	RFF
0170	21	RFF	M	1	2	Reference

Standard			Implementation	
Tag	Name	St Format	JD Format	Usage / Remark
RFF				
C506		M	M	
1153	Reference code qualifier	M an..3	M an..3	ARB
				ARB Prior Data Universal Number System (DUNS) number
1154	Reference identifier	C an..70	C an..70	324322072
1156	Document line identifier	C an..6	N	Not used
1056	Version identifier	C an..9	N	Not used
1060	Revision identifier	C an..6	N	Not used

Remark:

Example:

RFF+ARB:324322072'

No = Consecutive segment number
 MaxOcc = Maximum occurrence of the segment/group
 Counter = Counter of segment/group within the standard

St = Status
 EDIFACT: M=Mandatory, C=Conditional
 User specific: R=Required, O=Optional, D=Dependent,
 A=Advised, N=Not used

Counter	No	Tag	St	MaxOcc	Level	Name
0160		SG3	C	99	2	RFF
0170	22	RFF	M	1	2	Reference

Standard			Implementation	
Tag	Name	St Format	JD Format	Usage / Remark
RFF				
C506		M	M	
1153	Reference code qualifier	M an..3	M an..3	CR
				CR Customer reference number
1154	Reference identifier	C an..70	C an..70	CUSTOMER
1156	Document line identifier	C an..6	N	Not used
1056	Version identifier	C an..9	N	Not used
1060	Revision identifier	C an..6	N	Not used

Remark:

Defined by supplier and provided to John Deere, otherwise the segment is not available

Example:

RFF+CR: CUSTOMER '

No = Consecutive segment number
 MaxOcc = Maximum occurrence of the segment/group
 Counter = Counter of segment/group within the standard

St = Status
 EDIFACT: M=Mandatory, C=Conditional
 User specific: R=Required, O=Optional, D=Dependent,
 A=Advised, N=Not used

Counter	No	Tag	St	MaxOcc	Level	Name
0410		SG10	C	10	1	TDT
0420	23	TDT	M	1	1	Transport information

Standard			Implementation	
Tag	Name	St Format	JD Format	Usage / Remark
TDT				
8051	Transport stage code qualifier	M an..3	M an..3	20
8028	Means of transport journey identifier	C an..17	N	Not used
C220		C	C	
8067	Transport mode name code	C an..3	C an..3	1
				1 Maritime transport 2 Rail transport 3 Road transport 4 Air transport
8066	Transport mode name	C an..17	C an..17	SEA
C001		C	N	
8179	Transport means description code	C an..8	N	Not used
1131	Code list identification code	C an..17	N	Not used
3055	Code list responsible agency code	C an..3	N	Not used
8178	Transport means description	C an..17	N	Not used
C040		C	N	
3127	Carrier identifier	C an..17	N	Not used
1131	Code list identification code	C an..17	N	Not used
3055	Code list responsible agency code	C an..3	N	Not used
3126	Carrier name	C an..35	N	Not used
8101	Transit direction indicator code	C an..3	N	Not used
C401		C	N	
8457	Excess transportation reason code	M an..3	N	Not used
8459	Excess transportation responsibility code	M an..3	N	Not used
7130	Customer shipment authorisation identifier	C an..17	N	Not used
C222		C	N	
8213	Transport means identification name identifier	C an..35	N	Not used
1131	Code list identification code	C an..17	N	Not used
3055	Code list responsible agency code	C an..3	N	Not used
8212	Transport means identification name	C an..70	N	Not used
8453	Transport means nationality code	C an..3	N	Not used
8281	Transport means ownership indicator code	C an..3	N	Not used

Remark:

Example:

TDT+20++1:SEA'

No = Consecutive segment number
 MaxOcc = Maximum occurrence of the segment/group
 Counter = Counter of segment/group within the standard

St = Status
 EDIFACT: M=Mandatory, C=Conditional
 User specific: R=Required, O=Optional, D=Dependent,
 A=Advised, N=Not used

Counter	No	Tag	St	MaxOcc	Level	Name
0460		SG12	C	5	1	TOD
0470	24	TOD	M	1	1	Terms of delivery or transport

Standard			Implementation	
Tag	Name	St Format	JD Format	Usage / Remark
TOD				
4055	Delivery or transport terms function code	C an..3	C an..3	6 6 Delivery condition
4215	Transport charges payment method code	C an..3	C an..3	DF DF Defined by buyer and seller
C100		C	C	
4053	Delivery or transport terms description code	C an..3	C an..3	CPT CPT Carriage Paid To (... named place of destination)
1131	Code list identification code	C an..17	N	Not used
3055	Code list responsible agency code	C an..3	N	Not used
4052	Delivery or transport terms description	C an..70	N	Not used
4052	Delivery or transport terms description	C an..70	N	Not used

Remark:

Example:

TOD+6+DF+CPT'

No = Consecutive segment number
 MaxOcc = Maximum occurrence of the segment/group
 Counter = Counter of segment/group within the standard

St = Status
 EDIFACT: M=Mandatory, C=Conditional
 User specific: R=Required, O=Optional, D=Dependent,
 A=Advised, N=Not used

Counter	No	Tag	St	MaxOcc	Level	Name
1100		SG29	C	200000	1	LIN-PIA-IMD-QTY-DTM-MOA
1110	25	LIN	M	1	1	Line item

Standard			Implementation	
Tag	Name	St Format	JD Format	Usage / Remark
LIN				
1082	Line item identifier	C an..6	C an..6	00010 <i>Order line item number</i>
1229	Action code	C an..3	N	Not used
C212		C	C	
7140	Item identifier	C an..35	C an..35	MCAK62958610
7143	Item type identification code	C an..3	C an..3	IN IN Buyer's item number
1131	Code list identification code	C an..17	N	Not used
3055	Code list responsible agency code	C an..3	N	Not used
C829		C	N	
5495	Sub-line indicator code	C an..3	N	Not used
1082	Line item identifier	C an..6	N	Not used
1222	Configuration level number	C n..2	N	Not used
7083	Configuration operation code	C an..3	N	Not used

Remark:

Example:

LIN+00010++MCAK62958610:IN'

No = Consecutive segment number
 MaxOcc = Maximum occurrence of the segment/group
 Counter = Counter of segment/group within the standard

St = Status
 EDIFACT: M=Mandatory, C=Conditional
 User specific: R=Required, O=Optional, D=Dependent,
 A=Advised, N=Not used

Counter	No	Tag	St	MaxOcc	Level	Name
1100		SG29	C	200000	1	LIN-PIA-IMD-QTY-DTM-MOA
1120	26	PIA	C	25	2	Additional product id

Standard			Implementation	
Tag	Name	St Format	JD Format	Usage / Remark
PIA				
4347	Product identifier code qualifier	M an..3	M an..3	1 1 Additional identification
C212		M	M	
7140	Item identifier	C an..35	C an..35	6.295-861.0
7143	Item type identification code	C an..3	C an..3	VP VP Vendor's (seller's) part number
1131	Code list identification code	C an..17	N	Not used
3055	Code list responsible agency code	C an..3	N	Not used
C212		C	N	
7140	Item identifier	C an..35	N	Not used
7143	Item type identification code	C an..3	N	Not used
1131	Code list identification code	C an..17	N	Not used
3055	Code list responsible agency code	C an..3	N	Not used
C212		C	N	
7140	Item identifier	C an..35	N	Not used
7143	Item type identification code	C an..3	N	Not used
1131	Code list identification code	C an..17	N	Not used
3055	Code list responsible agency code	C an..3	N	Not used
C212		C	N	
7140	Item identifier	C an..35	N	Not used
7143	Item type identification code	C an..3	N	Not used
1131	Code list identification code	C an..17	N	Not used
3055	Code list responsible agency code	C an..3	N	Not used

Remark:

Example:

PIA+1+6.295-861.0:VP'

No = Consecutive segment number
 MaxOcc = Maximum occurrence of the segment/group
 Counter = Counter of segment/group within the standard

St = Status
 EDIFACT: M=Mandatory, C=Conditional
 User specific: R=Required, O=Optional, D=Dependent,
 A=Advised, N=Not used

Counter	No	Tag	St	MaxOcc	Level	Name
1100		SG29	C	200000	1	LIN-PIA-IMD-QTY-DTM-MOA
1130	27	IMD	C	99	2	Item description

Standard			Implementation	
Tag	Name	St Format	JD Format	Usage / Remark
IMD				
7077	Description format code	C an..3	C an..3	F F Free-form
C272		C	C	
7081	Item characteristic code	C an..3	C an..3	8 8 Product
1131	Code list identification code	C an..17	N	Not used
3055	Code list responsible agency code	C an..3	N	Not used
C273		C	C	
7009	Item description code	C an..17	N	Not used
1131	Code list identification code	C an..17	N	Not used
3055	Code list responsible agency code	C an..3	N	Not used
7008	Item description	C an..256	C an..256	Waschmittel
7008	Item description	C an..256	N	Not used
3453	Language name code	C an..3	N	Not used
7383	Surface or layer code	C an..3	N	Not used

Remark:

Example:

IMD+F+8+:::Waschmittel'

No = Consecutive segment number
 MaxOcc = Maximum occurrence of the segment/group
 Counter = Counter of segment/group within the standard

St = Status
 EDIFACT: M=Mandatory, C=Conditional
 User specific: R=Required, O=Optional, D=Dependent,
 A=Advised, N=Not used

Counter	No	Tag	St	MaxOcc	Level	Name
1100		SG29	C	200000	1	LIN-PIA-IMD-QTY-DTM-MOA
1150	28	QTY	C	99	2	Quantity

Standard			Implementation	
Tag	Name	St Format	JD Format	Usage / Remark
QTY				
C186		M	M	
6063	Quantity type code qualifier	M an..3	M an..3	21
				21 Ordered quantity
6060	Quantity	M an..35	M an..35	4
6411	Measurement unit code	C an..8	C an..8	PCE
				PCE

Remark:

Example:

QTY+21:4:PCE'

No = Consecutive segment number
 MaxOcc = Maximum occurrence of the segment/group
 Counter = Counter of segment/group within the standard

St = Status
 EDIFACT: M=Mandatory, C=Conditional
 User specific: R=Required, O=Optional, D=Dependent,
 A=Advised, N=Not used

Counter	No	Tag	St	MaxOcc	Level	Name
1100		SG29	C	200000	1	LIN-PIA-IMD-QTY-DTM-MOA
1180	29	DTM	C	35	2	Date/time/period

Standard			Implementation	
Tag	Name	St Format	JD Format	Usage / Remark
DTM				
C507		M	M	
2005	Date or time or period function code qualifier	M an..3	M an..3	2 2 Delivery date/time, requested 10 Shipment date/time, requested <i>Ship or due date can be individually defined by buyer unit</i>
2380	Date or time or period text	C an..35	C an..35	20200123
2379	Date or time or period format code	C an..3	C an..3	102 102 CCYMMDD

Remark:

Example:

DTM+2:20200123:102'

No = Consecutive segment number
 MaxOcc = Maximum occurrence of the segment/group
 Counter = Counter of segment/group within the standard

St = Status
 EDIFACT: M=Mandatory, C=Conditional
 User specific: R=Required, O=Optional, D=Dependent,
 A=Advised, N=Not used

Counter	No	Tag	St	MaxOcc	Level	Name
1100		SG29	C	200000	1	LIN-PIA-IMD-QTY-DTM-MOA
1190	30	MOA	C	10	2	Monetary amount

Standard			Implementation	
Tag	Name	St Format	JD Format	Usage / Remark
MOA				
C516		M	M	
5025	Monetary amount type code qualifier	M an..3	M an..3	146 146 Unit price
5004	Monetary amount	C n..35	C n..35	99.99 <i>dummy price</i>
6345	Currency identification code	C an..3	C an..3	EUR EUR Euro
6343	Currency type code qualifier	C an..3	N	Not used
4405	Status description code	C an..3	N	Not used

Remark:

Example:

MOA+146:99.99:EUR'

No = Consecutive segment number
 MaxOcc = Maximum occurrence of the segment/group
 Counter = Counter of segment/group within the standard

St = Status
 EDIFACT: M=Mandatory, C=Conditional
 User specific: R=Required, O=Optional, D=Dependent,
 A=Advised, N=Not used

Counter	No	Tag	St	MaxOcc	Level	Name
1100		SG29	C	200000	1	LIN-PIA-IMD-QTY-DTM-MOA
1110	31	LIN	M	1	1	Line item

Standard			Implementation	
Tag	Name	St Format	JD Format	Usage / Remark
LIN				
1082	Line item identifier	C an..6	C an..6	00020 <i>Order line item number</i>
1229	Action code	C an..3	N	Not used
C212		C	C	
7140	Item identifier	C an..35	C an..35	MCAK62958620
7143	Item type identification code	C an..3	C an..3	IN IN Buyer's item number
1131	Code list identification code	C an..17	N	Not used
3055	Code list responsible agency code	C an..3	N	Not used
C829		C	N	
5495	Sub-line indicator code	C an..3	N	Not used
1082	Line item identifier	C an..6	N	Not used
1222	Configuration level number	C n..2	N	Not used
7083	Configuration operation code	C an..3	N	Not used

Remark:

Example:

LIN+00020++MCAK62958620:IN'

No = Consecutive segment number
 MaxOcc = Maximum occurrence of the segment/group
 Counter = Counter of segment/group within the standard

St = Status
 EDIFACT: M=Mandatory, C=Conditional
 User specific: R=Required, O=Optional, D=Dependent,
 A=Advised, N=Not used

Counter	No	Tag	St	MaxOcc	Level	Name
1100		SG29	C	200000	1	LIN-PIA-IMD-QTY-DTM-MOA
1120	32	PIA	C	25	2	Additional product id

Standard			Implementation	
Tag	Name	St Format	JD Format	Usage / Remark
PIA				
4347	Product identifier code qualifier	M an..3	M an..3	1 1 Additional identification
C212		M	M	
7140	Item identifier	C an..35	C an..35	6.295-863.0
7143	Item type identification code	C an..3	C an..3	VP VP Vendor's (seller's) part number
1131	Code list identification code	C an..17	N	Not used
3055	Code list responsible agency code	C an..3	N	Not used
C212		C	N	
7140	Item identifier	C an..35	N	Not used
7143	Item type identification code	C an..3	N	Not used
1131	Code list identification code	C an..17	N	Not used
3055	Code list responsible agency code	C an..3	N	Not used
C212		C	N	
7140	Item identifier	C an..35	N	Not used
7143	Item type identification code	C an..3	N	Not used
1131	Code list identification code	C an..17	N	Not used
3055	Code list responsible agency code	C an..3	N	Not used
C212		C	N	
7140	Item identifier	C an..35	N	Not used
7143	Item type identification code	C an..3	N	Not used
1131	Code list identification code	C an..17	N	Not used
3055	Code list responsible agency code	C an..3	N	Not used
C212		C	N	
7140	Item identifier	C an..35	N	Not used
7143	Item type identification code	C an..3	N	Not used
1131	Code list identification code	C an..17	N	Not used
3055	Code list responsible agency code	C an..3	N	Not used

Remark:

Example:

PIA+1+6.295-863.0:VP'

No = Consecutive segment number
 MaxOcc = Maximum occurrence of the segment/group
 Counter = Counter of segment/group within the standard

St = Status
 EDIFACT: M=Mandatory, C=Conditional
 User specific: R=Required, O=Optional, D=Dependent,
 A=Advised, N=Not used

Counter	No	Tag	St	MaxOcc	Level	Name
1100		SG29	C	200000	1	LIN-PIA-IMD-QTY-DTM-MOA
1130	33	IMD	C	99	2	Item description

Standard			Implementation	
Tag	Name	St Format	JD Format	Usage / Remark
IMD				
7077	Description format code	C an..3	C an..3	F F Free-form
C272				
7081	Item characteristic code	C an..3	C an..3	8 8 Product
1131	Code list identification code	C an..17	N	Not used
3055	Code list responsible agency code	C an..3	N	Not used
C273				
7009	Item description code	C an..17	N	Not used
1131	Code list identification code	C an..17	N	Not used
3055	Code list responsible agency code	C an..3	N	Not used
7008	Item description	C an..256	C an..256	Waschmittel
7008	Item description	C an..256	N	Not used
3453	Language name code	C an..3	N	Not used
7383	Surface or layer code	C an..3	N	Not used

Remark:

Example:

IMD+F+8+:::Waschmittel'

No = Consecutive segment number
 MaxOcc = Maximum occurrence of the segment/group
 Counter = Counter of segment/group within the standard

St = Status
 EDIFACT: M=Mandatory, C=Conditional
 User specific: R=Required, O=Optional, D=Dependent,
 A=Advised, N=Not used

Counter	No	Tag	St	MaxOcc	Level	Name
1100		SG29	C	200000	1	LIN-PIA-IMD-QTY-DTM-MOA
1150	34	QTY	C	99	2	Quantity

Standard			Implementation	
Tag	Name	St Format	JD Format	Usage / Remark
QTY				
C186		M	M	
6063	Quantity type code qualifier	M an..3	M an..3	21
				21 Ordered quantity
6060	Quantity	M an..35	M an..35	6
6411	Measurement unit code	C an..8	C an..8	PCE
				PCE

Remark:

Example:

QTY+21:6:PCE'

No = Consecutive segment number
 MaxOcc = Maximum occurrence of the segment/group
 Counter = Counter of segment/group within the standard

St = Status
 EDIFACT: M=Mandatory, C=Conditional
 User specific: R=Required, O=Optional, D=Dependent,
 A=Advised, N=Not used

Counter	No	Tag	St	MaxOcc	Level	Name
1100		SG29	C	200000	1	LIN-PIA-IMD-QTY-DTM-MOA
1180	35	DTM	C	35	2	Date/time/period

Standard			Implementation	
Tag	Name	St Format	JD Format	Usage / Remark
DTM				
C507		M	M	
2005	Date or time or period function code qualifier	M an..3	M an..3	2 2 Delivery date/time, requested 10 Shipment date/time, requested <i>Ship or due date can be individually defined by buyer unit</i>
2380	Date or time or period text	C an..35	C an..35	20200123
2379	Date or time or period format code	C an..3	C an..3	102 102 CCYYMMDD

Remark:

Example:

DTM+2:20200123:102'

No = Consecutive segment number
 MaxOcc = Maximum occurrence of the segment/group
 Counter = Counter of segment/group within the standard

St = Status
 EDIFACT: M=Mandatory, C=Conditional
 User specific: R=Required, O=Optional, D=Dependent,
 A=Advised, N=Not used

Counter	No	Tag	St	MaxOcc	Level	Name
1100		SG29	C	200000	1	LIN-PIA-IMD-QTY-DTM-MOA
1190	36	MOA	C	10	2	Monetary amount

Standard			Implementation	
Tag	Name	St Format	JD Format	Usage / Remark
MOA				
C516		M	M	
5025	Monetary amount type code qualifier	M an..3	M an..3	146 146 Unit price
5004	Monetary amount	C n..35	C n..35	99.99 <i>dummy price</i>
6345	Currency identification code	C an..3	C an..3	EUR EUR Euro
6343	Currency type code qualifier	C an..3	N	Not used
4405	Status description code	C an..3	N	Not used

Remark:

Example:

MOA+146:99.99:EUR'

No = Consecutive segment number
 MaxOcc = Maximum occurrence of the segment/group
 Counter = Counter of segment/group within the standard

St = Status
 EDIFACT: M=Mandatory, C=Conditional
 User specific: R=Required, O=Optional, D=Dependent,
 A=Advised, N=Not used

Counter	No	Tag	St	MaxOcc	Level	Name
---------	----	-----	----	--------	-------	------

2490	37	UNS	M	1	0	Section control
------	----	------------	---	---	---	-----------------

Standard			Implementation	
Tag	Name	St Format	JD Format	Usage / Remark
UNS				
0081	Section identification	M a1	M a1	S
				S Detail/summary section separation

Remark:

Example:

UNS+S'

No = Consecutive segment number
 MaxOcc = Maximum occurrence of the segment/group
 Counter = Counter of segment/group within the standard

St = Status
 EDIFACT: M=Mandatory, C=Conditional
 User specific: R=Required, O=Optional, D=Dependent,
 A=Advised, N=Not used

Counter	No	Tag	St	MaxOcc	Level	Name
2510	38	CNT	C	10	1	Control total

Standard			Implementation	
Tag	Name	St Format	JD Format	Usage / Remark
CNT				
C270		M	M	
6069	Control total type code qualifier	M an..3	M an..3	2 2 Number of line items in message
6066	Control total quantity	M n..18	M n..18	10
6411	Measurement unit code	C an..8	N	Not used

Remark:

Example:

CNT+2:10'

No = Consecutive segment number
 MaxOcc = Maximum occurrence of the segment/group
 Counter = Counter of segment/group within the standard

St = Status
 EDIFACT: M=Mandatory, C=Conditional
 User specific: R=Required, O=Optional, D=Dependent,
 A=Advised, N=Not used

Counter	No	Tag	St	MaxOcc	Level	Name
2560	39	UNT	M	1	0	Message trailer

Standard			Implementation	
Tag	Name	St Format	JD Format	Usage / Remark
UNT				
0074	Number of segments in the message	M n..6	M n..6	31
0062	Message reference number	M an..14	M an..14	2

Remark:

Example:

UNT+31+2'

No = Consecutive segment number
 MaxOcc = Maximum occurrence of the segment/group
 Counter = Counter of segment/group within the standard

St = Status
 EDIFACT: M=Mandatory, C=Conditional
 User specific: R=Required, O=Optional, D=Dependent,
 A=Advised, N=Not used

Counter	No	Tag	St	MaxOcc	Level	Name
---------	----	-----	----	--------	-------	------

0000	40	UNZ	M	1	0	Interchange trailer
------	----	------------	---	---	---	---------------------

Standard			Implementation	
Tag	Name	St Format	JD Format	Usage / Remark
UNZ				
0036	Interchange control count	M n..6	M n..6	1
0020	Interchange control reference	M an..14	M an..14	1

Remark:

Example:

UNZ+1+1'

No = Consecutive segment number
 MaxOcc = Maximum occurrence of the segment/group
 Counter = Counter of segment/group within the standard

St = Status
 EDIFACT: M=Mandatory, C=Conditional
 User specific: R=Required, O=Optional, D=Dependent,
 A=Advised, N=Not used

Example Message

UNA:+.? '
UNB+UNOC:2+SENDERID:ZZ:S_ADDR+RECEIVERID:ZZ:R_ADDR+200120:1433+1++ORDERS'
UNH+1+ORDERS:D:07A:UN'
BGM+105:::TS+4500632782+9'
DTM+4:20200120:102'
RFF+ON:4500632782'
RFF+AAJ:2114136'
RFF+OP:4700269297'
RFF+SI:DSO-NL'
RFF+ZZ:2111'
NAD+SE+SELLER NUMBER::92'
RFF+VA:DE316479592'
NAD+BY+4900::92+JOHN DEERE WALLDORF GMBH & CO. KG++ALTROTTSTRASSE 31+WALLDORF+08+69190+DE'
RFF+ARB:314937209'
RFF+VA:DE316479592'
NAD+IV+4900::92+JOHN DEERE WALLDORF GMBH & CO. KG++ALTROTTSTRASSE 31+WALLDORF+08+69190+DE'
RFF+ARB:314937209'
NAD+ST+4700::92+JOHN DEERE GMBH & CO KG - EUROPEAN+PARTS DISTRIBUTION CENTER+JOHN-DEERE-STRASSE 2+BRU
RFF+ARB:324322072'
NAD+PO+4700::92+JOHN DEERE GMBH & CO KG - EUROPEAN+PARTS DISTRIBUTION CENTER+JOHN-DEERE-STRASSE 2+BRU
RFF+ARB:324322072'
RFF+CR:CUSTOMER'
TDT+20++1:SEA'
TOD+6+DF+CPT'
LIN+00010++MCAK62958610:IN'
PIA+1+6.295-861.0:VP'
IMD+F+8+:::WASCHMITTEL'
QTY+21:4:PCE'
DTM+2:20200123:102'
MOA+146:99.99:EUR'
LIN+00020++MCAK62958620:IN'
PIA+1+6.295-863.0:VP'
IMD+F+8+:::WASCHMITTEL'
QTY+21:6:PCE'
DTM+2:20200123:102'
MOA+146:99.99:EUR'
UNS+S'
CNT+2:10'
UNT+31+2'
UNZ+1+1'