



JOHN DEERE

Message Implementation Guideline

ORDRSP D07A

based on

ORDRSP

Purchase order response message

UN D.07A S3

Table of Contents

1 Changelog	3
2 Introduction.....	4
3 Message Structure	5
4 Branching Diagram	6
5 Segments	11
6 Example Message.....	37

Changelog

Release	Date	Changes / Comments
1.0	2020-03-17	First Release

Introduction

The Order Response message transaction always refers to one Purchase order and is used within the context of an Electronic Data Interchange (EDI) environment.

The Transaction set can be used to provide for customary and established business and industry practice relative to a seller's acknowledgment of a buyer's purchase order.

This usage advises a buyer that a vendor has or will ship merchandise as prearranged in their partnership.

Notes:

The transaction is used to receive Purchase Order Acknowledgement information from a supplier for orders confirming the promise shipment date and quantity in response to a Purchase Order sent to the supplier for materials or services to be provided to a Deere location.

Therefore, John Deere needs two qualifiers for quantity and date – on one hand the ordered quantity and delivery date requested from John Deere, on the other hand the dispatched quantity and the estimated delivery date by supplier.

If both differentiate from the requested contents by John Deere, that LIN item must be excluded from the ORDRSP message. That means that, if all items of the message can't be matched – neither on quantity nor on date (for each item) – the supplier will not send an ORDRSP.

In addition, this transaction requires a status code of the line item, where "5" means Accepted without amendment and "6" means Accepted with amendment.

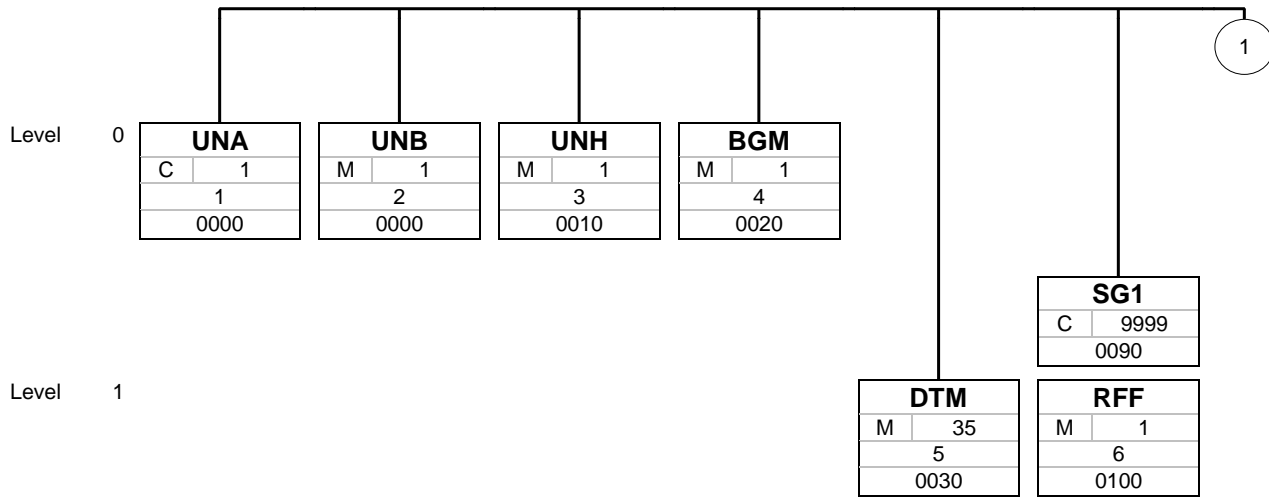
Message Structure

Counter	No	Tag	St	MaxOcc	Level	Content
0000	1	UNA	C	1	0	Service string advice
0000	2	UNB	M	1	0	Interchange header
0010	3	UNH	M	1	0	Message header
0020	4	BGM	M	1	0	Beginning of message
0030	5	DTM	M	35	1	Date/time/period
0090		SG1	C	9999	1	RFF
0100	6	RFF	M	1	1	Reference
0090		SG1	C	9999	1	RFF
0100	7	RFF	M	1	1	Reference
0150		SG3	C	99	1	NAD
0160	8	NAD	M	1	1	Name and address
0150		SG3	C	99	1	NAD
0160	9	NAD	M	1	1	Name and address
0150		SG3	C	99	1	NAD
0160	10	NAD	M	1	1	Name and address
0150		SG3	C	99	1	NAD
0160	11	NAD	M	1	1	Name and address
1040		SG27	C	200000	1	LIN-QTY-QTY-DTM-DTM
1050	12	LIN	M	1	1	Line item
1090	13	QTY	C	99	2	Quantity
1090	14	QTY	C	99	2	Quantity
1120	15	DTM	C	35	2	Date/time/period
1120	16	DTM	C	35	2	Date/time/period
1040		SG27	C	200000	1	LIN-QTY-QTY-DTM-DTM
1050	17	LIN	M	1	1	Line item
1090	18	QTY	C	99	2	Quantity
1090	19	QTY	C	99	2	Quantity
1120	20	DTM	C	35	2	Date/time/period
1120	21	DTM	C	35	2	Date/time/period
2360	22	UNS	M	1	0	Section control
2380	23	CNT	C	10	1	Control total
2430	24	UNT	M	1	0	Message trailer
0000	25	UNZ	M	1	0	Interchange trailer

Counter = Counter of segment/group within the standard
 No = Consecutive segment number
 MaxOcc = Maximum occurrence of the segment/group

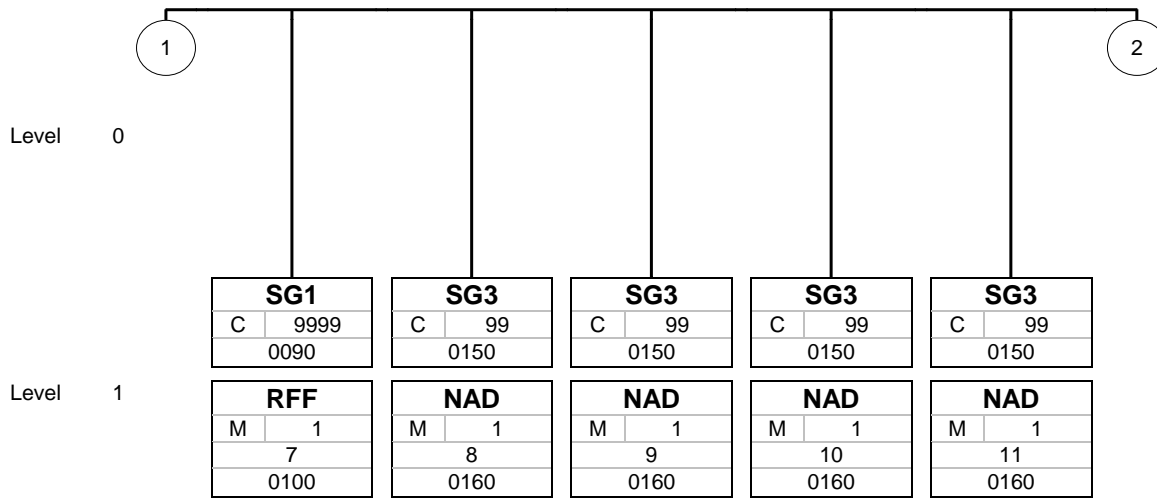
St = Status
 EDIFACT: M=Mandatory, C=Conditional
 User specific: R=Required, O=Optional, D=Dependent,
 A=Advised, N=Not used

Branching Diagram of Used Segments/Groups



Tag
St MaxOcc
No
Counter

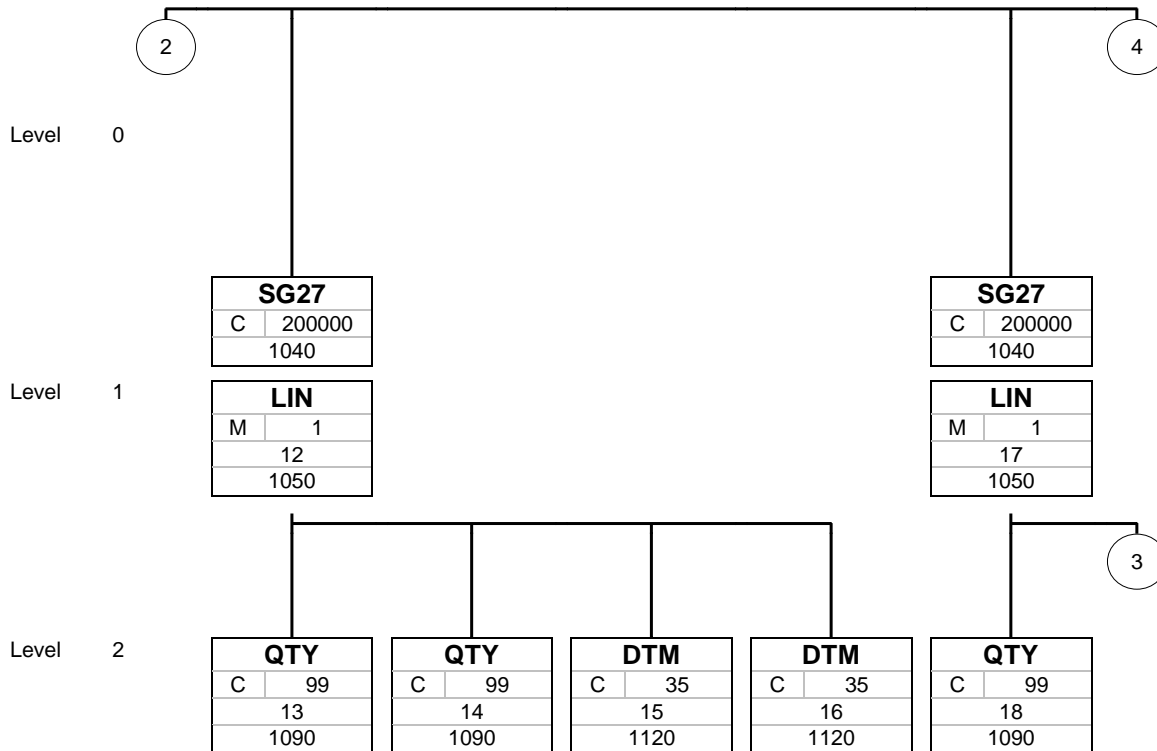
Tag = Segment/Group Tag
 St = Status (M=Mandatory, C=Conditional, R=Required, O=Optional, A=Advised, D=Dependent)
 MaxOcc = Maximum occurrence of the segment/group
 No = Consecutive segment number
 Counter = Counter of segment/group within the standard

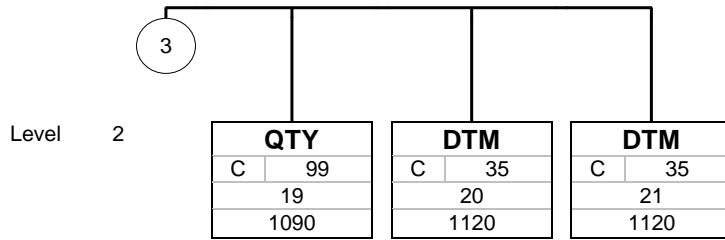


Tag
St MaxOcc
No
Counter

Tag = Segment/Group Tag
 St = Status (M=Mandatory, C=Conditional, R=Required, O=Optional, A=Advised, D=Dependent)
 MaxOcc = Maximum occurrence of the segment/group
 No = Consecutive segment number
 Counter = Counter of segment/group within the standard

Introduction

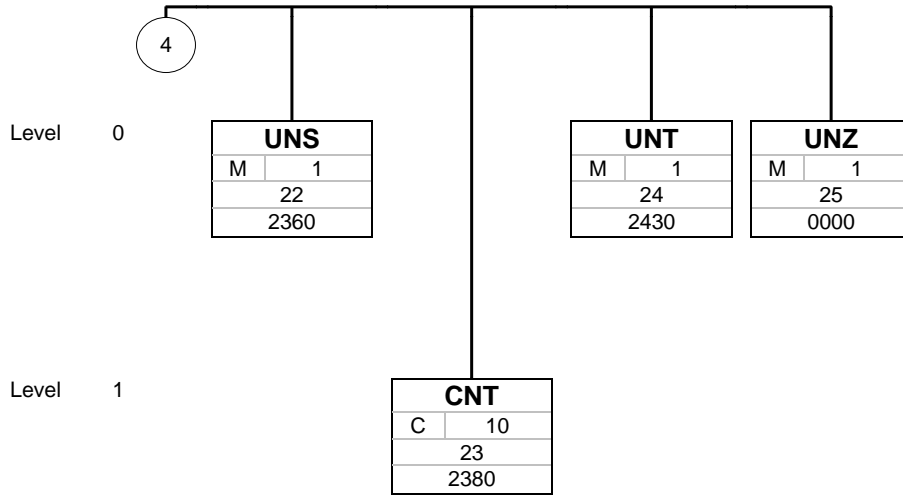




Tag
St MaxOcc
No
Counter

Tag = Segment/Group Tag
 St = Status (M=Mandatory, C=Conditional, R=Required, O=Optional, A=Advised, D=Dependent)
 MaxOcc = Maximum occurrence of the segment/group
 No = Consecutive segment number
 Counter = Counter of segment/group within the standard

Introduction



Segments

Counter	No	Tag	St	MaxOcc	Level	Name
---------	----	-----	----	--------	-------	------

0000	1	UNA	C	1	0	Service string advice
------	---	------------	---	---	---	-----------------------

Standard			Implementation		
Tag	Name	St Format	JD Format	Usage / Remark	
UNA					
UNA1	Component data element separator	M an1	M an1	:	
UNA2	Data element separator	M an1	M an1	+	
UNA3	Decimal notation	M an1	M an1	.	
UNA4	Release indicator	M an1	M an1	?	
UNA5	Reserved for future use	M an1	M an1		
UNA6	Segment terminator	M an1	M an1	'	

Remark:

Example:

UNA: + . ? '

No = Consecutive segment number
 MaxOcc = Maximum occurrence of the segment/group
 Counter = Counter of segment/group within the standard

St = Status
 EDIFACT: M=Mandatory, C=Conditional
 User specific: R=Required, O=Optional, D=Dependent,
 A=Advised, N=Not used

Introduction

Counter	No	Tag	St	MaxOcc	Level	Name
0000	2	UNB	M	1	0	Interchange header

Standard			Implementation		
Tag	Name	St Format	JD Format	Usage / Remark	
UNB					
S001		M	M		
0001	Syntax identifier	M a4	M a4	UNOC	
				UNOC UN/ECE level C	
0002	Syntax version number	M n1	M n1	3	
				3 Version 3	
S002		M	M		
0004	Sender identification	M an..35	M an..35	SENDERID <i>ID of the sender in the data transmission network or system, provided by the sender (supplier)</i>	
0007	Partner identification code qualifier	C an..4	C an..4	ZZ	
				ZZ	
0008	Address for reverse routing	C an..14	C an..14	S_ADDR <i>Supplier number provided by John Deere</i>	
S003		M	M		
0010	Recipient identification	M an..35	M an..35	RECEIVERID <i>ID of the receiver in the data transmission network or system, provided by John Deere</i> <i>JDEUROUSB (VAN), 00013000059DEERE (AS2, OFTP2)</i>	
0007	Partner identification code qualifier	C an..4	C an..4	ZZ	
				ZZ	
0014	Routing address	C an..14	C an..14	R_ADDR <i>Unit Code e.g. 4900, 3200, 2200 etc.</i>	
S004		M	M		
0017	Date of preparation	M n6	M n6	191011	
0019	Time of preparation	M n4	M n4	1306	
0020	Interchange control reference	M an..14	M an..14	1	
S005		C	N		
0022	Recipient's reference/password	M an..14	N	Not used	
0025	Recipient's reference/password qualifier	C an2	N	Not used	
0026	Application reference	C an..14	C an..14	ORDRSP	
0029	Processing priority code	C a1	N	Not used	
0031	Acknowledgement request	C n1	N	Not used	
0032	Communications agreement ID	C an..35	N	Not used	
0035	Test indicator	C n1	N	Not used	

Remark:

Example:

UNB+UNOC:3+SENDERID:ZZ:S_ADDR+RECEIVERID:ZZ:R_ADDR+191011:1306+1++ORDRSP'

Counter	No	Tag	St	MaxOcc	Level	Name
---------	----	-----	----	--------	-------	------

0010	3	UNH	M	1	0	Message header
------	---	------------	---	---	---	----------------

Standard			Implementation	
Tag	Name	St Format	JD Format	Usage / Remark
UNH				
0062	Message reference number	M an..14	M an..14	2
S009		M	M	
0065	Message type	M an..6	M an..6	ORDRSP ORDRSP Purchase order response message
0052	Message version number	M an..3	M an..3	D D Draft version/UN/EDIFACT Directory
0054	Message release number	M an..3	M an..3	07A 07A Release 2007 - A
0051	Controlling agency	M an..2	M an..2	UN UN UN/CEFACT
0057	Association assigned code	C an..6	C an..6	EAN005
0068	Common access reference	C an..35	N	Not used
S010		C	N	
0070	Sequence of transfers	M n..2	N	Not used
0073	First and last transfer	C a1	N	Not used

Remark:

Example:

UNH+2+ORDRSP:D:07A:UN:EAN005'

No = Consecutive segment number
 MaxOcc = Maximum occurrence of the segment/group
 Counter = Counter of segment/group within the standard

St = Status
 EDIFACT: M=Mandatory, C=Conditional
 User specific: R=Required, O=Optional, D=Dependent,
 A=Advised, N=Not used

Introduction

Counter	No	Tag	St	MaxOcc	Level	Name
0020	4	BGM	M	1	0	Beginning of message

		Standard	Implementation		
Tag	Name	St Format	JD Format	Usage / Remark	
BGM					
C002		C	C		
1001	Document name code	C an..3	C an..3	231	231 Purchase order response
1131	Code list identification code	C an..17	N	Not used	
3055	Code list responsible agency code	C an..3	N	Not used	
1000	Document name	C an..35	N	Not used	
C106		C	C		
1004	Document identifier	C an..35	C an..35	793	
1056	Version identifier	C an..9	N	Not used	
1060	Revision identifier	C an..6	N	Not used	
1225	Message function code	C an..3	N	Not used	
4343	Response type code	C an..3	N	Not used	

Remark:

Example:

BGM+231+793'

Counter	No	Tag	St	MaxOcc	Level	Name
---------	----	-----	----	--------	-------	------

0030	5	DTM	M	35	1	Date/time/period
------	---	------------	---	----	---	------------------

Standard			Implementation		
Tag	Name	St Format	JD Format	Usage / Remark	
DTM					
C507		M	M		
2005	Date or time or period function code qualifier	M an..3	M an..3	137	137 Document issue date time
2380	Date or time or period text	C an..35	C an..35	20191011	
2379	Date or time or period format code	C an..3	C an..3	102	102 CCYYMMDD

Remark:

Example:

DTM+137:20191011:102'

No = Consecutive segment number
 MaxOcc = Maximum occurrence of the segment/group
 Counter = Counter of segment/group within the standard

St = Status
 EDIFACT: M=Mandatory, C=Conditional
 User specific: R=Required, O=Optional, D=Dependent,
 A=Advised, N=Not used

Introduction

Counter	No	Tag	St	MaxOcc	Level	Name
0090		SG1	C	9999	1	RFF
0100	6	RFF	M	1	1	Reference

Standard			Implementation	
Tag	Name	St Format	JD Format	Usage / Remark
RFF				
C506		M	M	
1153	Reference code qualifier	M an..3	M an..3	ON ON Order document identifier, buyer assigned
1154	Reference identifier	C an..70	C an..70	4526091042
1156	Document line identifier	C an..6	N	Not used
1056	Version identifier	C an..9	N	Not used
1060	Revision identifier	C an..6	N	Not used

Remark:

Example:

RFF+ON:4526091042'

Counter	No	Tag	St	MaxOcc	Level	Name
0090		SG1	C	9999	1	RFF
0100	7	RFF	M	1	1	Reference

Standard			Implementation	
Tag	Name	St Format	JD Format	Usage / Remark
RFF				
C506		M	M	
1153	Reference code qualifier	M an..3	M an..3	OP
				OP Original purchase order
1154	Reference identifier	C an..70	C an..70	3200315442
1156	Document line identifier	C an..6	N	Not used
1056	Version identifier	C an..9	N	Not used
1060	Revision identifier	C an..6	N	Not used

Remark:

Example:

RFF+OP:3200315442'

No = Consecutive segment number
 MaxOcc = Maximum occurrence of the segment/group
 Counter = Counter of segment/group within the standard

St = Status
 EDIFACT: M=Mandatory, C=Conditional
 User specific: R=Required, O=Optional, D=Dependent,
 A=Advised, N=Not used

Introduction

Counter	No	Tag	St	MaxOcc	Level	Name
0150		SG3	C	99	1	NAD
0160	8	NAD	M	1	1	Name and address

Standard			Implementation	
Tag	Name	St Format	JD Format	Usage / Remark
NAD				
3035	Party function code qualifier	M an..3	M an..3	BY
				BY Buyer
C082		C	C	
3039	Party identifier	M an..35	M an..35	3200
1131	Code list identification code	C an..17	N	Not used
3055	Code list responsible agency code	C an..3	C an..3	92
				92 Assigned by buyer or buyer's agent
C058		C	C	
3124	Name and address description	M an..35	M an..35	JOHN DEERE IBERICA, S.A. CTRA. MADR
3124	Name and address description	C an..35	N	Not used
3124	Name and address description	C an..35	N	Not used
3124	Name and address description	C an..35	N	Not used
3124	Name and address description	C an..35	N	Not used
C080		C	C	
3036	Party name	M an..35	M an..35	JOHN DEERE IBERICA, S.A.
3036	Party name	C an..35	N	Not used
3036	Party name	C an..35	N	Not used
3036	Party name	C an..35	N	Not used
3036	Party name	C an..35	N	Not used
3045	Party name format code	C an..3	N	Not used
C059		C	C	
3042	Street and number or post office box identifier	M an..35	M an..35	CTRA. MADRID- TOLEDO KM. 12,200
3042	Street and number or post office box identifier	C an..35	N	Not used
3042	Street and number or post office box identifier	C an..35	N	Not used
3042	Street and number or post office box identifier	C an..35	N	Not used
3164	City name	C an..35	C an..35	GETAFE
C819		C	C	
3229	Country subdivision identifier	C an..9	C an..9	ES
				ES
1131	Code list identification code	C an..17	N	Not used
3055	Code list responsible agency code	C an..3	N	Not used
3228	Country subdivision name	C an..70	N	Not used
3251	Postal identification code	C an..17	C an..17	28905
3207	Country identifier	C an..3	C an..3	ES
				ES SPAIN

Remark:

Example:

NAD+BY+3200::92+JOHN DEERE IBERICA, S.A. CTRA. MADR+JOHN DEERE IBERICA, S.A.+CTRA. MADRID-TOLEDO K
M. 12,200+GETAFE+ES+28905+ES'

No = Consecutive segment number
MaxOcc = Maximum occurrence of the segment/group
Counter = Counter of segment/group within the standard

St = Status
EDIFACT: M=Mandatory, C=Conditional
User specific: R=Required, O=Optional, D=Dependent,
A=Advised, N=Not used

Introduction

Counter	No	Tag	St	MaxOcc	Level	Name
0150		SG3	C	99	1	NAD
0160	9	NAD	M	1	1	Name and address

Standard			Implementation	
Tag	Name	St Format	JD Format	Usage / Remark
NAD				
3035	Party function code qualifier	M an..3	M an..3	ST
				ST Ship to
C082		C	C	
3039	Party identifier	M an..35	M an..35	32B091
1131	Code list identification code	C an..17	N	Not used
3055	Code list responsible agency code	C an..3	C an..3	9
				9 GS1
C058		C	N	
3124	Name and address description	M an..35	N	Not used
3124	Name and address description	C an..35	N	Not used
3124	Name and address description	C an..35	N	Not used
3124	Name and address description	C an..35	N	Not used
3124	Name and address description	C an..35	N	Not used
C080		C	C	
3036	Party name	M an..35	M an..35	ANDRES CARRASCO E HIJOS,S.A.
3036	Party name	C an..35	N	Not used
3036	Party name	C an..35	N	Not used
3036	Party name	C an..35	N	Not used
3036	Party name	C an..35	N	Not used
3045	Party name format code	C an..3	N	Not used
C059		C	C	
3042	Street and number or post office box identifier	M an..35	M an..35	POL.IND.CIUDAD D. TRANSPORTE
3042	Street and number or post office box identifier	C an..35	N	Not used
3042	Street and number or post office box identifier	C an..35	N	Not used
3042	Street and number or post office box identifier	C an..35	N	Not used
3164	City name	C an..35	C an..35	GUADALCACIN - JEREZ DE LA FRON
C819		C	C	
3229	Country subdivision identifier	C an..9	C an..9	ES
1131	Code list identification code	C an..17	N	Not used
3055	Code list responsible agency code	C an..3	N	Not used
3228	Country subdivision name	C an..70	N	Not used
3251	Postal identification code	C an..17	C an..17	11591
3207	Country identifier	C an..3	N	Not used

Remark:

Example:

NAD+ST+32B091::9+++ANDRES CARRASCO E HIJOS,S.A.+POL.IND.CIUDAD D. TRANSPORTE+GUADALCACIN - JEREZ DE LA FRON++11591'

Counter	No	Tag	St	MaxOcc	Level	Name
0150		SG3	C	99	1	NAD
0160	10	NAD	M	1	1	Name and address

Standard			Implementation	
Tag	Name	St Format	JD Format	Usage / Remark
NAD				
3035	Party function code qualifier	M an..3	M an..3	IV IV Invoicee
C082		C	C	
3039	Party identifier	M an..35	M an..35	464052212
1131	Code list identification code	C an..17	N	Not used
3055	Code list responsible agency code	C an..3	C an..3	9 9 GS1
C058		C	N	
3124	Name and address description	M an..35	N	Not used
3124	Name and address description	C an..35	N	Not used
3124	Name and address description	C an..35	N	Not used
3124	Name and address description	C an..35	N	Not used
3124	Name and address description	C an..35	N	Not used
C080		C	N	
3036	Party name	M an..35	N	Not used
3036	Party name	C an..35	N	Not used
3036	Party name	C an..35	N	Not used
3036	Party name	C an..35	N	Not used
3036	Party name	C an..35	N	Not used
3045	Party name format code	C an..3	N	Not used
C059		C	N	
3042	Street and number or post office box identifier	M an..35	N	Not used
3042	Street and number or post office box identifier	C an..35	N	Not used
3042	Street and number or post office box identifier	C an..35	N	Not used
3042	Street and number or post office box identifier	C an..35	N	Not used
3164	City name	C an..35	N	Not used
C819		C	N	
3229	Country subdivision identifier	C an..9	N	Not used
1131	Code list identification code	C an..17	N	Not used
3055	Code list responsible agency code	C an..3	N	Not used
3228	Country subdivision name	C an..70	N	Not used
3251	Postal identification code	C an..17	N	Not used
3207	Country identifier	C an..3	N	Not used

Remark:

Example:

NAD+IV+464052212::9'

No = Consecutive segment number
 MaxOcc = Maximum occurrence of the segment/group
 Counter = Counter of segment/group within the standard

St = Status
 EDIFACT: M=Mandatory, C=Conditional
 User specific: R=Required, O=Optional, D=Dependent,
 A=Advised, N=Not used

Introduction

Counter	No	Tag	St	MaxOcc	Level	Name
0150		SG3	C	99	1	NAD
0160	11	NAD	M	1	1	Name and address

Standard			Implementation	
Tag	Name	St Format	JD Format	Usage / Remark
NAD				
3035	Party function code qualifier	M an..3	M an..3	SE
				SE Seller
C082		C	C	
3039	Party identifier	M an..35	M an..35	0000352458
1131	Code list identification code	C an..17	N	Not used
3055	Code list responsible agency code	C an..3	C an..3	9
				9 GS1
C058		C	N	
3124	Name and address description	M an..35	N	Not used
3124	Name and address description	C an..35	N	Not used
3124	Name and address description	C an..35	N	Not used
3124	Name and address description	C an..35	N	Not used
3124	Name and address description	C an..35	N	Not used
C080		C	N	
3036	Party name	M an..35	N	Not used
3036	Party name	C an..35	N	Not used
3036	Party name	C an..35	N	Not used
3036	Party name	C an..35	N	Not used
3036	Party name	C an..35	N	Not used
3045	Party name format code	C an..3	N	Not used
C059		C	N	
3042	Street and number or post office box identifier	M an..35	N	Not used
3042	Street and number or post office box identifier	C an..35	N	Not used
3042	Street and number or post office box identifier	C an..35	N	Not used
3042	Street and number or post office box identifier	C an..35	N	Not used
3164	City name	C an..35	N	Not used
C819		C	N	
3229	Country subdivision identifier	C an..9	N	Not used
1131	Code list identification code	C an..17	N	Not used
3055	Code list responsible agency code	C an..3	N	Not used
3228	Country subdivision name	C an..70	N	Not used
3251	Postal identification code	C an..17	N	Not used
3207	Country identifier	C an..3	N	Not used

Remark:

Example:

NAD+SE+0000352458:::9'

Counter	No	Tag	St	MaxOcc	Level	Name
1040		SG27	C	200000	1	LIN-QTY-DTM
1050	12	LIN	M	1	1	Line item

Standard			Implementation	
Tag	Name	St Format	JD Format	Usage / Remark
LIN				
1082	Line item identifier	C an..6	C an..6	1
1229	Action code	C an..3	C an..3	5
				5 Accepted without amendment
C212		C	C	
7140	Item identifier	C an..35	C an..35	5FDGQC4103
7143	Item type identification code	C an..3	C an..3	BP
				BP Buyer's part number
1131	Code list identification code	C an..17	N	Not used
3055	Code list responsible agency code	C an..3	N	Not used
C829		C	N	
5495	Sub-line indicator code	C an..3	N	Not used
1082	Line item identifier	C an..6	N	Not used
1222	Configuration level number	C n..2	N	Not used
7083	Configuration operation code	C an..3	N	Not used

Remark:

Example:

LIN+1+5+5FDGQC4103:BP'

No = Consecutive segment number
 MaxOcc = Maximum occurrence of the segment/group
 Counter = Counter of segment/group within the standard

St = Status
 EDIFACT: M=Mandatory, C=Conditional
 User specific: R=Required, O=Optional, D=Dependent,
 A=Advised, N=Not used

Introduction

Counter	No	Tag	St	MaxOcc	Level	Name
1040		SG27	C	200000	1	LIN-QTY-DTM
1090	13	QTY	C	99	2	Quantity

Standard			Implementation	
Tag	Name	St Format	JD Format	Usage / Remark
QTY				
C186		M	M	
6063	Quantity type code qualifier	M an..3	M an..3	21
				21 Ordered quantity
6060	Quantity	M an..35	M an..35	1
6411	Measurement unit code	C an..8	C an..8	PCE
				PCE

Remark:

Example:

QTY+21:1:PCE'

Counter	No	Tag	St	MaxOcc	Level	Name
1040		SG27	C	200000	1	LIN-QTY-DTM
1090	14	QTY	C	99	2	Quantity

Standard			Implementation		
Tag	Name	St Format	JD Format	Usage / Remark	
QTY					
C186		M	M		
6063	Quantity type code qualifier	M an..3	M an..3	12	12 Despatch quantity
6060	Quantity	M an..35	M an..35	1	
6411	Measurement unit code	C an..8	C an..8	PCE	PCE

Remark:

Example:

QTY+12:1:PCE'

No = Consecutive segment number
 MaxOcc = Maximum occurrence of the segment/group
 Counter = Counter of segment/group within the standard

St = Status
 EDIFACT: M=Mandatory, C=Conditional
 User specific: R=Required, O=Optional, D=Dependent,
 A=Advised, N=Not used

Introduction

Counter	No	Tag	St	MaxOcc	Level	Name
1040		SG27	C	200000	1	LIN-QTY-DTM
1120	15	DTM	C	35	2	Date/time/period

		Standard	Implementation		
Tag	Name	St Format	JD Format	Usage / Remark	
DTM					
C507		M	M		
2005	Date or time or period function code qualifier	M an..3	M an..3	2	2 Delivery date/time, requested
2380	Date or time or period text	C an..35	C an..35	20191014	
2379	Date or time or period format code	C an..3	C an..3	102	102 CCYYMMDD

Remark:

Example:

DTM+2:20191014:102'

Counter	No	Tag	St	MaxOcc	Level	Name
1040		SG27	C	200000	1	LIN-QTY-DTM
1120	16	DTM	C	35	2	Date/time/period

Standard			Implementation		
Tag	Name	St Format	JD Format	Usage / Remark	
DTM					
C507		M	M		
2005	Date or time or period function code qualifier	M an..3	M an..3	17	17 Delivery date/time, estimated
2380	Date or time or period text	C an..35	C an..35	20191014	
2379	Date or time or period format code	C an..3	C an..3	102	102 CCYYMMDD

Remark:

Example:

DTM+17:20191014:102'

No = Consecutive segment number
 MaxOcc = Maximum occurrence of the segment/group
 Counter = Counter of segment/group within the standard

St = Status
 EDIFACT: M=Mandatory, C=Conditional
 User specific: R=Required, O=Optional, D=Dependent,
 A=Advised, N=Not used

Introduction

Counter	No	Tag	St	MaxOcc	Level	Name
1040		SG27	C	200000	1	LIN-QTY-DTM
1050	17	LIN	M	1	1	Line item

Standard			Implementation	
Tag	Name	St Format	JD Format	Usage / Remark
LIN				
1082	Line item identifier	C an..6	C an..6	2
1229	Action code	C an..3	C an..3	5
5 Accepted without amendment				
C212		C	C	
7140	Item identifier	C an..35	C an..35	5FDGQC4203
7143	Item type identification code	C an..3	C an..3	BP
BP Buyer's part number				
1131	Code list identification code	C an..17	N	Not used
3055	Code list responsible agency code	C an..3	N	Not used
C829		C	N	
5495	Sub-line indicator code	C an..3	N	Not used
1082	Line item identifier	C an..6	N	Not used
1222	Configuration level number	C n..2	N	Not used
7083	Configuration operation code	C an..3	N	Not used

Remark:

Example:

LIN+2+5+5FDGQC4203:BP'

Counter	No	Tag	St	MaxOcc	Level	Name
1040		SG27	C	200000	1	LIN-QTY-DTM
1090	18	QTY	C	99	2	Quantity

Standard			Implementation		
Tag	Name	St Format	JD Format	Usage / Remark	
QTY					
C186		M	M		
6063	Quantity type code qualifier	M an..3	M an..3	21	21 Ordered quantity
6060	Quantity	M an..35	M an..35	1	
6411	Measurement unit code	C an..8	C an..8	PCE	PCE

Remark:

Example:

QTY+21:1:PCE'

No = Consecutive segment number
 MaxOcc = Maximum occurrence of the segment/group
 Counter = Counter of segment/group within the standard

St = Status
 EDIFACT: M=Mandatory, C=Conditional
 User specific: R=Required, O=Optional, D=Dependent,
 A=Advised, N=Not used

Introduction

Counter	No	Tag	St	MaxOcc	Level	Name
1040		SG27	C	200000	1	LIN-QTY-DTM
1090	19	QTY	C	99	2	Quantity

Standard			Implementation	
Tag	Name	St Format	JD Format	Usage / Remark
QTY				
C186		M	M	
6063	Quantity type code qualifier	M an..3	M an..3	12
				12 Despatch quantity
6060	Quantity	M an..35	M an..35	1
6411	Measurement unit code	C an..8	C an..8	PCE
				PCE

Remark:

Example:

QTY+12:1:PCE'

Counter	No	Tag	St	MaxOcc	Level	Name
1040		SG27	C	200000	1	LIN-QTY-DTM
1120	20	DTM	C	35	2	Date/time/period

Standard			Implementation		
Tag	Name	St Format	JD Format	Usage / Remark	
DTM					
C507		M	M		
2005	Date or time or period function code qualifier	M an..3	M an..3	2	2 Delivery date/time, requested
2380	Date or time or period text	C an..35	C an..35	20191014	
2379	Date or time or period format code	C an..3	C an..3	102	102 CCYYMMDD

Remark:

Example:

DTM+2:20191014:102'

No = Consecutive segment number
 MaxOcc = Maximum occurrence of the segment/group
 Counter = Counter of segment/group within the standard

St = Status
 EDIFACT: M=Mandatory, C=Conditional
 User specific: R=Required, O=Optional, D=Dependent,
 A=Advised, N=Not used

Introduction

Counter	No	Tag	St	MaxOcc	Level	Name
1040		SG27	C	200000	1	LIN-QTY-DTM
1120	21	DTM	C	35	2	Date/time/period

Standard			Implementation	
Tag	Name	St Format	JD Format	Usage / Remark
DTM				
C507		M	M	
2005	Date or time or period function code qualifier	M an..3	M an..3	17 17 Delivery date/time, estimated
2380	Date or time or period text	C an..35	C an..35	20191014
2379	Date or time or period format code	C an..3	C an..3	102 102 CCYYMMDD

Remark:

Example:

DTM+17:20191014:102'

Counter	No	Tag	St	MaxOcc	Level	Name
---------	----	-----	----	--------	-------	------

2360	22	UNS	M	1	0	Section control
------	----	------------	---	---	---	-----------------

Standard			Implementation	
Tag	Name	St Format	JD Format	Usage / Remark
UNS				
0081	Section identification	M a1	M a1	S
				S Detail/summary section separation

Remark:

Example:

UNS+S'

No = Consecutive segment number
 MaxOcc = Maximum occurrence of the segment/group
 Counter = Counter of segment/group within the standard

St = Status
 EDIFACT: M=Mandatory, C=Conditional
 User specific: R=Required, O=Optional, D=Dependent,
 A=Advised, N=Not used

Introduction

Counter	No	Tag	St	MaxOcc	Level	Name
2380	23	CNT	C	10	1	Control total

Standard			Implementation	
Tag	Name	St Format	JD Format	Usage / Remark
CNT				
C270		M	M	
6069	Control total type code qualifier	M an..3	M an..3	2
				2 Number of line items in message
6066	Control total quantity	M n..18	M n..18	3
6411	Measurement unit code	C an..8	N	Not used

Remark:

Example:

CNT+2 : 3 '

Counter	No	Tag	St	MaxOcc	Level	Name
---------	----	-----	----	--------	-------	------

2430	24	UNT	M	1	0	Message trailer
------	----	------------	---	---	---	-----------------

Standard			Implementation	
Tag	Name	St Format	JD Format	Usage / Remark
UNT				
0074	Number of segments in the message	M n..6	M n..6	22
0062	Message reference number	M an..14	M an..14	2

Remark:

Example:

UNT+22+2 '

No = Consecutive segment number
 MaxOcc = Maximum occurrence of the segment/group
 Counter = Counter of segment/group within the standard

St = Status
 EDIFACT: M=Mandatory, C=Conditional
 User specific: R=Required, O=Optional, D=Dependent,
 A=Advised, N=Not used

Introduction

Counter	No	Tag	St	MaxOcc	Level	Name
0000	25	UNZ	M	1	0	Interchange trailer

Standard			Implementation	
Tag	Name	St Format	JD Format	Usage / Remark
UNZ				
0036	Interchange control count	M n..6	M n..6	1
0020	Interchange control reference	M an..14	M an..14	1

Remark:

Example:

UNZ+1+1 '

Example Message

UNA:+.? '
UNB+UNOC:3+SENDERID:ZZ:S_ADDR+RECEIVERID:ZZ:R_ADDR+191011:1306+1++ORDRSP'
UNH+2+ORDRSP:D:07A:UN:EAN005'
BGM+231+793'
DTM+137:20191011:102'
RFF+ON:4526091042'
RFF+OP:3200315442'
NAD+BY+3200::92+JOHN DEERE IBERICA, S.A. CTRA. MADR+JOHN DEERE IBERICA, S.A.+CTRA. MADRID-TOLEDO KM.
12,200+GE
NAD+ST+32B091::9++ANDRES CARRASCO E HIJOS,S.A.+POL.IND.CIUDAD D. TRANSPORTE+GUADALCACIN - JEREZ DE LA F
NAD+IV+464052212::9'
NAD+SE+0000352458::9'
LIN+1+5+5FDGQC4103:BP'
QTY+21:1:PCE'
QTY+12:1:PCE'
DTM+2:20191014:102'
DTM+17:20191014:102'
LIN+2+5+5FDGQC4203:BP'
QTY+21:1:PCE'
QTY+12:1:PCE'
DTM+2:20191014:102'
DTM+17:20191014:102'
UNS+S'
CNT+2:3'
UNT+22+2'
UNZ+1+1'